

Data Sheet

# Series 42 Axial Piston Pumps

## 28/32 cm<sup>3</sup>



The pumps have been part of this tradition for more than 15 years with proven reliability for tough medium duty applications. Recently, the HC-EDC and 32cc have been added to the long list of options

was designed with many optional features in a small package size. This helps the fit in tight places and simplify circuit design..

Four displacements in two frame sizes, (28/32 and 41/51), help to cover a wide range of medium duty applications.

Two pumps can be bolted together with additional capability for auxiliary mounting. Optional housings offer increased flexibility for conversion and base model programs with many interchangeable components.



### Features

#### Designed for Durability and Flexibility

- Single Piece Housing / End cap
- No High Pressure Sealing
- Single Piece Swash plate
- Bolt Together Tandem Configurations

#### Installation and Packaging benefits

- Optimized for Shortest Length
- One Clean Side
- High Corner Power
- Integrated Loop Flushing Device

#### Wide Range of Controls

- High Current Electrical Displacement Control (HC-EDC)
- Electrical Displacement control (EDC)
- Mechanical Displacement control (MDC)
- Forward-Neutral-Reverse (FNR)
- Non-Feedback Proportional Electric (NFPE)
- Non-Feedback Proportional Hydraulic (NFPH)

#### Wide Range of Options

- Loop Flushing
- Geroter Charge Pumps
- Loop Bypass
- High Pressure Relief Valve (HPRV)
- Charge Pressure Relief Valve (CPRV)
- Optional SAE A-Pad and SAE B-Pad Auxiliary Mounting

---

[Comprehensive technical literature online at powersolutions.danfoss.com](http://powersolutions.danfoss.com)

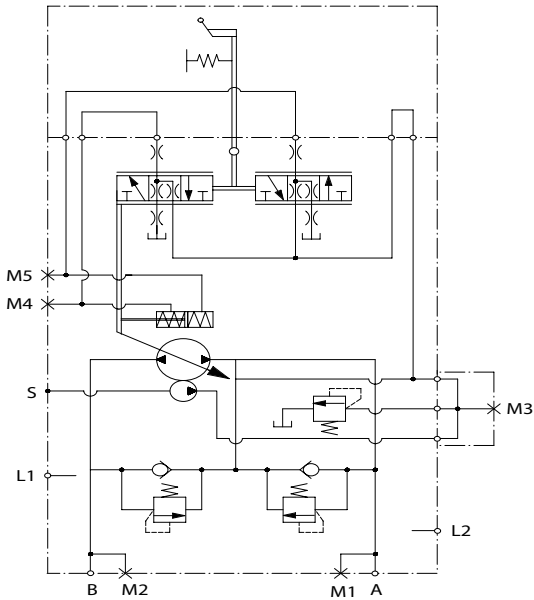
---

Technical Specifications

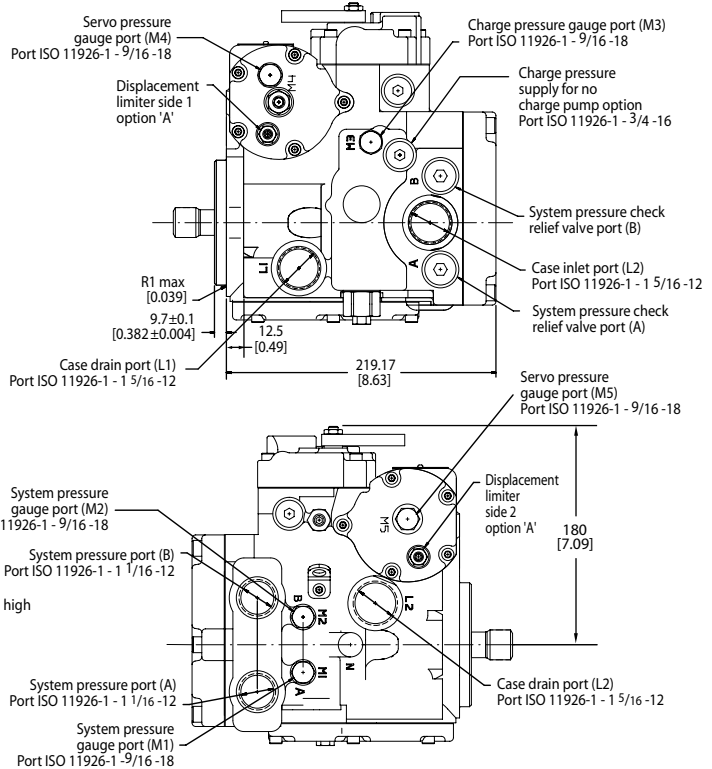
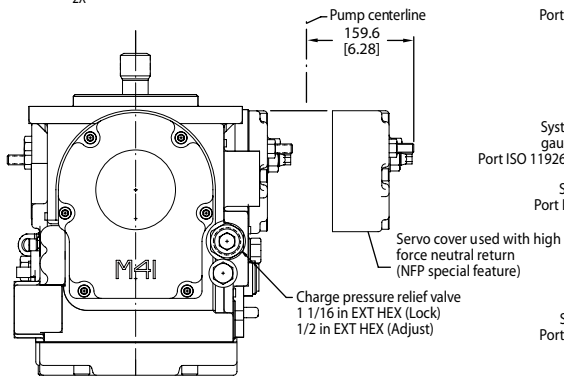
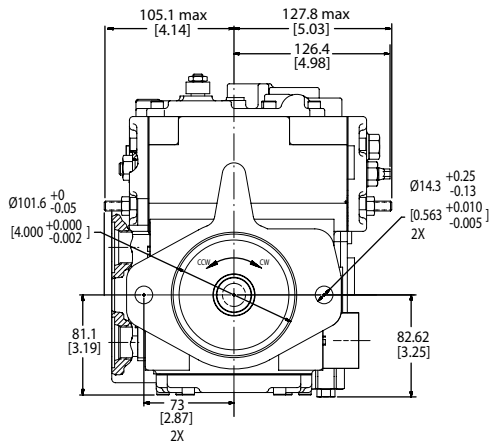
Features		Unit	Size	
			28	32
Displacement		cm <sup>3</sup> [in <sup>3</sup> ]	28 [1.71]	31.8 [1.94]
Weight		kg [lb]	34.5 [76]	
Input Speed	Minimum	min <sup>-1</sup> (rpm)	500	500
	Rated		3400	3000
	Maximum		3750	3400
System Pressure	Max. Working Pressure*	bar [psi]	400 [5800]	350 [5075]
	Max. pressure		450 [6525]	400 [5800]
	Min. Low Loop		10 [145]	
Case Pressure	Rated	bar [psi]	3 [44]	
	Maximum		5 [73]	

\* Applied pressures above maximum working pressure requires Danfoss application approval.

Schematic



Dimensions



Danfoss can accept no responsibility for possible errors in catalogues, brochures and other printed material. Danfoss reserves the right to alter its products without notice. This also applies to products already on order provided that such alterations can be made without changes being necessary in specifications already agreed. All trademarks in this material are property of the respective companies. Danfoss and the Danfoss logotype are trademarks of Danfoss A/S. All rights reserved.