

**CENTERLINE® Motor Control Centers**

**Renewal Parts Selection Guide  
Series 'R' Bulletin 2100 Units  
Series 'D' Bulletin 2400 Units**

## SERIAL NUMBER AND SERIES LETTER INFORMATION

(REFER TO NOTES AT BOTTOM OF PAGE)

YEAR	BULLETIN: 2100						BUL: 2400 SERIES UNIT
	FACTORY ORDER NO.		SERIAL NUMBERS		SERIES		
	START	END	START	END	SECTION	UNIT	
1971	704403	807499	959060	971209	A	A	NONE
1972	807500	121409	971210	983266	A	A	NONE
1973	121500	346999	983267	996532	A	A	NONE
1974	347000	539999	996535	999946	A	A	NONE
''	''	''	A128502	A483339	A	A	NONE
1975	540000	719199	A483344	B677442	A	A	NONE
1976	719200	933199	B677452	C933199	A-B	A-B	NONE
1977	D933200	D268699	D933200	D268699	B	B	NONE
1978	E268700	E526199	E268700	E526199	B	B	NONE
1979	F526200	F748699	F526200	F748699	B-C	B-C	NONE
1980	G748700	G898049	G748700	G898049	C	C	NONE
1981	H898050	H661299	H898050	H661299	C-D	C-D-E	NONE
1982	J661300	J804249	J661300	J804249	D-E	D-E-F-G	NONE
1983	K804250	K948440	K804250	K948440	E-F	F-G	NONE
1984	L948441	L693587	L948441	L693587	F	F-G-H-J	NONE
1985	M693588	M849069	M693588	M849069	G	H-J	NONE
1986	N849070	N612263	N849070	M612263	G-H-J	H-J-K	NONE
1987	P612264	P791331	P612264	P791331	J	K	NONE
1988	R791332	R991197	R791332	R991197	J	K	NONE
1989	T991198	T834534	T991198	T834534	J	K	NONE
1990	W834535	W704948	W834535	W704948	J-K	K-M	NONE
1991	X704949	X995816	X704949	X995816	K	M	A
1992	Y995817	Y732348	Y995817	Y732348	K	M	A-B-C
1993	Z732349	Z773410	Z932349	Z773410	K	N	A-C
1994	A773411	A795559	A773411	A795559	K	N-P	A-C
1995	B795560	B818971	B795560	B818971	K	N-P	A-C
1996	C818972	C824311	C818972	C824311	K-L	P-Q	A-C
1996	CNPR624	CQBH320	CNPR624	CQBH320	K-L	P-Q	D
1997	D824312		D824312		L	Q	D
1997	DQBH321	DRPH250	DQBH321	DRPH250	L	Q	D
1998	ERPH250		ERPH250		L	R	D

**NOTES:**

- 1: FROM 1980 ON, ONLY NUMBERS 600000 TO 999999 WERE USED BY PCPD.
- 2: REFER TO PUB: 2100-3.0 "SERIES IDENTIFICATION" FOR IMPLEMENTATION DATE OF SERIES LETTER CHANGES ON SECTIONS AND UNITS.
- 3: SERIAL NUMBER OF SECTIONS ARE ON THE SERIAL PLATE ON WIREWAY DOOR.
- 4: SERIAL NUMBER OF UNITS ARE ON CATALOG NAMEPLATE ON BOTTOM OF UNIT.
- 5: "SCI" SECTIONS OR UNITS WILL NOT HAVE A SERIAL NUMBER LISTED ON THE NAMEPLATES, BUT THERE SHOULD BE A SERIES LETTER AFTER THE UNIT OR SECTION CATALOG NUMBER.
- 6: IN LATE 1995 SOME SCI, SCII AND PE ORDERS WERE ENTERED ON PASSPORT.

## TABLE OF CONTENTS

### CABINETS

SERIAL NUMBER AND SERIES LETTER INFORMATION .....	0
TABLE OF CONTENTS .....	2
INDEX .....	4
EXPLODED VIEW SECTION .....	15
BUL: 2100 CABINET PARTS .....	16
BUL: 2100 VERTICAL BUS BARS .....	19
SPLICE KITS FOR BUL: 2100 MCC'S .....	20
MISCELLANEOUS MOUNTING HARDWARE .....	22
BUL: 2100 SHEET METAL THICKNESS .....	22
BUS AND SPLICE BAR DIMENSIONS .....	23
MATERIAL TO CHANGE A FRONT MOUNT MCC TO BACK TO BACK .....	24
DOOR, HANDLE AND CABINET GASKET .....	25
INCOMING LINE LUG CROSS-REFERENCE .....	25

### UNITS

INSERT EXPLODED VIEW OF UNIT .....	26
DOORS FOR BUL: 2100 UNITS .....	27
DOORS FOR BUL: 2400 UNITS .....	34
MISCELLANEOUS PLEXI-GLASS WINDOWS .....	35
MISCELLANEOUS DOOR PARTS .....	36
FANS, FAN GUARDS AND FILTERS FOR DRIVE AND XFMR. DOORS .....	36
REPLACEMENT OVERLOAD RELAYS FOR BULLETIN 2100 UNITS .....	37
REPLACEMENT OVERLOAD RELAYS FOR BULLETIN 2400 UNITS .....	37
REPLACEMENT BULLETIN 193 OVERLOAD RELAYS .....	38
SMP'S FOR BULLETIN 2100 MCC'S .....	39
STANDARD DOOR MOUNTED OVERLOAD RESET BUTTONS .....	41
DOOR MOUNTED PILOT DEVICES .....	42
DOOR MOUNTED CONTROL STATION HOUSINGS .....	43
LEGEND PLATES FOR STANDARD 800T PILOT DEVICES .....	43
LEGEND PLATES FOR SMALL 800T-PS PILOT DEVICES .....	43
LABELS AND NAMEPLATES .....	44
STARTERS, HANDLES AND STAB ASSEMBLIES FOR BULLETIN 2100 UNITS .....	46
MISCELLANEOUS STAB AND HANDLE PARTS .....	48
STARTERS, HANDLES AND STAB ASSEMBLIES FOR BULLETIN 2400 UNITS .....	49
BULLETIN 100 AND 104 CONTACTORS USED BY THE PCP DIVISION .....	51
AUXILIARY CONTACTS FOR BULLETIN 100 AND 104 CONTACTORS .....	51
COILS AND CONTACT KITS FOR BULLETIN 100 AND 104 CONTACTORS .....	52
BULLETIN 500 STARTERS AND CONTACTORS FOR BULLETIN 2100'S .....	53
COILS AND POWER CONTACT KITS FOR BULLETIN 500 STARTERS AND CONTACTOR .....	54
AUXILIARY CONTACT AND ACCESSORIES FOR BULLETIN 500 STARTERS AND CONTACTORS .....	55
STARTER POWER CONNECTION AND TORQUE REQUIREMENTS .....	55
REPLACEMENT PARTS FOR BULLETIN 2154E "SMC-2" .....	56
REPLACEMENT PARTS FOR 2154F'S .....	57
REPLACEMENT PARTS FOR 2154G "SMC DIALOG PLUS" .....	60
REPLACEMENT PARTS FOR 2155E "SMC-2" .....	63
REPLACEMENT PARTS FOR 2155F'S .....	64
REPLACEMENT PARTS FOR 2155G "SMC DIALOG PLUS" .....	67
STARTING TRANSFORMERS AND STARTERS FOR 2172/2173 UNITS .....	70
STARTING TRANSFORMERS FOR BULLETIN 2172/2173 UNIT .....	71
CONTROL AND TIMING RELAYS FOR BULLETIN 2172/2173 UNITS .....	71
MISCELLANEOUS PARTS FOR BULLETIN 2172/2173 UNITS .....	71
BULLETIN 700 TYPE "P" CONTROL RELAY CROSS-REFERENCE .....	72
CONTACTS, SUPPRESSORS AND MISCELLANEOUS PARTS FOR 700 "P" RELAYS .....	72
STAB ASSEMBLY WIRE LENGTHS AND DESCRIPTIONS .....	73
DISCONNECTS, FUSE BLOCKS AND FUSE CLIPS FOR BULLETIN 2100 UNITS .....	75
DISCONNECTS, FUSE BLOCKS AND FUSE CLIPS FOR BULLETIN 2400 UNITS .....	82

LINE AND LOAD FUSE CLIP PART NUMBERS AND REQUIRED MOUNTING HARDWARE . . . . .	83
REPLACEMENT DISCONNECTS AND BOLTED PRESSURE SWITCHES . . . . .	84
LINE TERMINAL GUARDS FOR DISCONNECTS AND BOLTED PRESSURE SWITCH . . . . .	84
ALLEN-BRADLEY TO CUTLER-HAMMER (WESTINGHOUSE) BREAKER CROSS-REFERENCE . . . . .	85
CIRCUIT BREAKER SHUNT TRIP KITS (OPTION 754) . . . . .	93
CIRCUIT BREAKER LUGS (ONE LUG PER PHASE REQUIRED UNLESS NOTED) . . . . .	94
CIRCUIT BREAKER INTERNAL AUXILIARY KITS (OPTION 98X & 99X) . . . . .	95
CIRCUIT BREAKER EXTERNAL AUXILIARY CONTACTS . . . . .	95
MISCELLANEOUS BREAKERS AND PARTS . . . . .	95
400-600 AMP FIELD MOUNTED CIRCUIT BREAKER KIT . . . . .	97
LIGHTING PANELS AND BREAKERS . . . . .	99
BOLT-ON THERMAL MAGNETIC BREAKERS FOR LIGHTING PANELS . . . . .	100
BULLETIN 2195, 2196 & 2197 POWER AND LIGHTING TRANSFORMERS AND FUSES . . . . .	101
TRANSFORMER TERMINAL AND MOUNTING HARDWARE . . . . .	101
FUSE BLOCKS . . . . .	102
METERS USED IN UNITS WITH METERING OPTIONS . . . . .	103
AMMETER AND VOLTMETER SWITCHES FOR 3 PHASE METERING . . . . .	103
CURRENT TRANSFORMERS FOR METERING . . . . .	104
POTENTIAL TRANSFORMERS FOR METERING . . . . .	106
CURRENT SENSORS (TRANSDUCERS) . . . . .	107
STANDARD CAPACITORS USED ON 480 VOLT 60 HZ. 2100 UNITS . . . . .	108
UNIT REPLACEMENT PARTS . . . . .	109
CONTROL AND POWER TERMINAL BLOCKS AND ACCESSORIES . . . . .	109
MISCELLANEOUS HARDWARE . . . . .	110
<b>CONTROL &amp; POWER WIRE</b>	
POWER/CONTROL WIRES FOR SC/PE UNITS . . . . .	111
STANDARD CONTROL AND POWER WIRE FOR BULLETIN 2100 & 2400 UNITS . . . . .	115
CONNECTORS USED FOR INTERWIRING BETWEEN SHIPPING BLOCKS . . . . .	115
<b>FUSE</b>	
CONTROL AND POWER FUSE INDEX . . . . .	116
CONTROL AND POWER FUSE CROSS-REFERENCE . . . . .	117
FUSE INFORMATION AND SELECTION . . . . .	118
<b>APPENDIX</b>	
DEFINITIONS OF ABBREVIATIONS USED . . . . .	129
PRODUCT SERVICE GROUP-PCP DIVISION . . . . .	132
MODIFICATION AND REPAIRS . . . . .	133
SPARE OR REPLACEMENT PARTS . . . . .	132
FIELD SERVICE . . . . .	132
WARRANTY REPAIR/REPLACEMENT . . . . .	132

# INDEX

<b>AMMETER</b>		
CURRENT TRANSDUCER .....	107	
CURRENT TRANSFORMER .....	104-105	
METER .....	103	
SWITCH .....	103	
<b>AUXILIARY</b>		
BOLTED PRESSURE SWITCH (REF: 2100-3.0)		
BREAKER .....	95	
TERMINAL BLOCK .....	95, 109	
DISCONNECT (REF: 2100-3.0)		
RELAY .....	72	
STARTER/CONTACTORS		
BULLETIN 100 - 104 .....	51	
BULLETIN 500 .....	55	
TORQUE (CONTROL WIRING CONNECTIONS) .....	52, 55	
<b>BACK PLATES</b> .....		16
GASKET .....	25	
THICKNESS .....	22	
TORQUE (MOUNTING HARDWARE) .....	16	
<b>BACK TO BACK MOUNTING OF SECTIONS</b>		
GROUND BUS SPLICE .....	24	
HARDWARE .....	24	
POWER BUS SPLICE .....	24	
<b>BARRIERS</b>		
INCOMING LINE (REF: 2100-3.0)		
WIREWAY .....	18	
BOLTED PRESSURE SWITCH .....	75-84	
AUXILIARY (REF: 2100-3.0)		
LINE TERMINAL GUARDS .....	84	
TORQUE .....	83	
<b>BOTTOM PLATES</b>		
SECTIONS (REF: 2100-3.0)		
UNITS .....	109	
BULBS (PILOT LIGHT) .....	42	
<b>BUS</b>		
ACCESS COVER .....	17	
BACK TO BACK SPLICE .....	24	
COVER .....	17	
DIMENSIONS .....	23	
END CLOSING PLATES .....	17	
GROUND		
HORIZONTAL .....	17	
VERTICAL .....	18	
HARDWARE .....	22	
SPLICE ACCESS COVER .....	17	

## INDEX

---

BUS (continued)	
SPLICE KIT	
GROUND .....	21
POWER .....	20-21
SUPPORT .....	18
THICKNESS .....	23
TORQUE (BUS CONNECTIONS) .....	22
VERTICAL .....	19
CABINETS	
BACK PLATES .....	16
BUS SPLICE ACCESS COVER .....	17
CABLE TIE KIT .....	16
CONNECTING HARDWARE .....	22
END CLOSING PLATES .....	16
GASKET .....	25
GROUND LUGS .....	22
HARDWARE .....	16
HINGE/HINGE PIN .....	36
HORIZONTAL GROUND BUS .....	17
HORIZONTAL WIREWAY COVERS .....	16
LIFTING ANGLE .....	18
MASTER NAMEPLATE .....	17
RIGHT HAND UNIT SUPPORT .....	18
SEALANT .....	22, 25
SIDE SHEETS .....	18
SPLICE KITS .....	21-22
THICKNESS .....	23
TOP PLATES .....	16
UNIT SUPPORT PAN (REF: 2100-3.0)	
PUSH RIVET .....	17, 36
VERTICAL BUS .....	19
VERTICAL BUS SUPPORT .....	18
VERTICAL GROUND BUS (REF: 2100-3.0)	
VERTICAL GROUND STRAP .....	16
VERTICAL WIREWAY DOOR .....	17
WINDOW (PLEXI-GLASS) .....	35
WIREWAY PANS .....	18
CABLE TIE KIT (SUPPORTS WIRES IN WIREWAY) .....	16
CAPACITORS .....	108
CIRCUIT BREAKER	
AUXILIARIES	
EXTERNAL (REF: 2100-3.0)	
INTERNAL .....	95
TERMINAL BLOCK .....	95, 109
CROSS-REFERENCE .....	85-96
CURRENT LIMITERS .....	96
HARDWARE (BREAKER MOUNTING) .....	96
KIT (600 AMP "LD") FIELD MOUNTABLE .....	97-98
LIGHTING PANEL .....	99
LUG PAD AND HARDWARE (TERMINAL NUT) .....	96
LUGS .....	94
SHUNT TRIPS .....	93

## INDEX

---

CIRCUIT BREAKER (continued)	
S.M.C'S .....	56-69
TORQUE .....	94
COIL	
BULLETIN 100, 104 .....	52
BULLETIN 500 .....	54
RELAYS .....	72
CONNECTING HARDWARE	
BACK TO BACK .....	24
KIT .....	22
PLUGS .....	17
SEALANT .....	22, 25
TORQUE .....	17, 22
CONNECTOR (INTERWIRING BETWEEN SHIPPING SPLIT) .	115
CONTACT KITS	
BULLETIN 100, 104 .....	52
BULLETIN 500 .....	54
CONTACTORS (SEE STARTERS)	
CONTROL STATION	
GASKET .....	25
HOUSING .....	43
LEGEND PLATES .....	43
PILOT DEVICES .....	42
CURRENT LIMITERS .....	96
CURRENT TRANSDUCERS .....	107
CURRENT TRANSFORMERS .....	104
DIAGRAM POCKET .....	25
DIGITAL METERING SYSTEM .....	103
DISCONNECTS	
AUXILIARY (REF: 2100-3.0)	
BULLETIN 2100 .....	75-84
BULLETIN 2400 .....	82-84
CROSS-REFERENCE .....	84
LINE TERMINAL GUARDS .....	84
TORQUE .....	83
DOORS	
CONTROL STATION HOUSING .....	43
TORQUE .....	43
FILTERS .....	36
GASKET .....	25
HINGE .....	36
TORQUE .....	36

## INDEX

---

DOORS (continued)	
HINGE PIN .....	36
INSULATION .....	36
INTERLOCK .....	36
LATCH .....	36
TORQUE .....	36
NAMEPLATES (REF: 2100-3.0)	
CARDHOLDER .....	36, 44
RESET BUTTON .....	41
THICKNESS .....	22
VERTICAL WIREWAY .....	17
UNIT	
BULLETIN 2100 .....	27-33
BULLETIN 2400 .....	34-35
WINDOWS (PLEXI-GLASS) .....	35
END CLOSING PLATES (REF: 2100-3.0)	
BOTTOM .....	16
CENTER .....	16
GASKET .....	25
HARDWARE .....	16
THICKNESS .....	22
TOP .....	16
TORQUE .....	16
ELAPSED TIME METER .....	43, 103
FAN (TUBEAXIAL)	
CORD .....	36
FILTER .....	36
GUARD .....	36
MOUNTING HARDWARE .....	36
FILTERS .....	36
FUSE	
BLOCKS	
CONTROL .....	102
TORQUE .....	102
MOUNTING HARDWARE .....	83, 102
POWER	
BULLETIN 2100 .....	76-82, 102
BULLETIN 2400 .....	82-83
CLIPS .....	75-84
HARDWARE .....	83
TORQUE .....	83
CONTROL .....	102
CROSS-REFERENCE .....	117
INDEX .....	116
S.M.C. ....	56-69
TABLES .....	118-128
TRANSFORMER	
CONTROL (REF: 2100-6.1) .....	102
LIGHTING .....	102



## INDEX

---

<b>GASKET</b>	
CABINET .....	25
CONTROL STATION .....	25
DEFEATOR CATCH ANGLE .....	25
DOOR .....	25
HANDLE .....	25
<b>GROUND BUS</b>	
GROUND STRAP (STEEL) .....	18
HORIZONTAL .....	17
LUGS .....	22
SPLICE .....	21
<b>TORQUE</b>	
LUGS .....	22
MOUNTING HARDWARE .....	17
<b>VERTICAL</b>	
LOAD CONNECTOR (79L) .....	109
STAB (79U) .....	109
STAB (STANDARD) .....	109
<b>HANDLES</b>	
BULLETIN 2100 .....	48
BULLETIN 2400 .....	50
GASKET .....	25
LABELS (ON, OFF, OFF-RESET) .....	48
TORQUE .....	50
<b>HARDWARE</b>	
BACK TO BACK MOUNTING .....	24
BUS COVER .....	18
BREAKER .....	96
CABINET .....	16
CONNECTING .....	22
CONTROL STATION .....	43
DOOR .....	36
FUSE CLIP .....	83
HINGE MOUNTING .....	36
INCOMING LINE .....	17
LIFTING ANGLE .....	18
NAMEPLATE MOUNTING .....	17, 46
SPLICE KIT .....	22
STAB .....	48, 73-74
TORQUE .....	17, 22, 36, 50, 109
TRANSFORMER (CONTROL) .....	101
UNIT LATCH .....	109
<b>HEATERS</b>	
OVERLOAD .....	37
STRIP .....	16
THERMOSTAT .....	16
<b>HINGE</b>	
HINGE/HINGE PIN/CARDHOLDER KIT .....	36

## INDEX

---

HINGE (continued)		
HINGES .....	36	
MOUNTING HARDWARE .....	36	
PINS .....	36	
TORQUE (MOUNTING HARDWARE) .....	36	
HORIZONTAL		
GROUND BUS .....	17	
GROUND BUS SPLICE KIT .....	21	
POWER BUS SPLICE KIT .....	20-21	
WIRE WAY COVERS (REF: 2100-3.0)		
BOTTOM .....	16	
GASKET .....	25	
TOP .....	16	
TORQUE (MOUNTING HARDWARE) .....	16	
WITH MONOGRAM .....	16	
WIRE WAY PAN .....	18	
INCOMING LINE		
LUGS (REF: 2100-3.0)		
CROSS-REFERENCE .....	25	
HARDWARE .....	17	
TORQUE REQUIREMENTS .....	17	
WARNING LABELS .....	45	
INSULATION		
DOOR .....	36	
INCOMING LINE (REF: 2100-3.0)		
LABELS		
INFORMATION .....	45	
HANDLE .....	48	
LEGEND PLATES .....	43	
TERMINAL BLOCK .....	109	
WARNING .....	44-45	
WIRE .....	115	
LEGEND PLATES (ALSO SEE LABELS)		
PILOT DEVICE .....	43	
LIFTING ANGLE .....		18
MOUNTING HARDWARE .....	18	
TORQUE .....	18	
LIGHTING PANELS		
PANELS .....	99	
BREAKERS (REF: 2100-3.0)		
MAIN .....	99-100	
BRANCH .....	99-100	
GROUND FAULT .....	99-100	
DIRECTORY .....	99-100	
FILLER PLATES (REF: 2100-3.0) .....	99	
LUGS		
BREAKER .....	94	
GROUND BUS .....	22	

## INDEX

---

LUGS (continued)	
HARDWARE .....	17, 22
INCOMING LINE (REF: 2100-3.0) .....	25
STARTER .....	55
TORQUE .....	22, 55, 94
METERING	
AMP .....	103
CURRENT TRANSDUCERS .....	107
CURRENT TRANSFORMERS .....	104-105
DIGITAL METERING SYSTEM .....	103
ELAPSED TIME .....	43, 103
POTENTIAL TRANSFORMERS .....	106
SWITCH .....	103
VOLT .....	103
WATT-HOUR .....	103
NAMEPLATES (REF: 2100-3.0)	
CARDHOLDERS .....	36, 44
BLANK CARD .....	45
DOOR (REF: 2100-3.0)	
HANDLE .....	48
HARDWARE .....	36
STEEL (STANDARD) .....	17, 36
STAINLESS STEEL (SPECIAL) .....	36
PILOT DEVICES .....	43
MASTER .....	17
TERMINAL BLOCK .....	109
TORQUE (MOUNTING HARDWARE) .....	17, 36
WARNING .....	44-45
NO-OX-ID (REF: 2100-3.0) .....	48
OVERLOAD	
AUXILIARY .....	37
RELAYS (BUL: 2100 & 2400) .....	37-40
RESET BUTTONS .....	41
PILOT DEVICES .....	42
BULBS .....	42
LEGEND PLATES .....	43
LENS .....	42
POTENTIAL TRANSFORMERS .....	106
RELAYS	
AUTO-XFMR .....	71
COILS .....	72
CONTACTS .....	72
CONTROL .....	72
CROSS-REFERENCE .....	55
INTERPOSING .....	72
OVERLOAD .....	40
SURGE SUPPRESSORS .....	72
TIMING .....	55, 71-72

## INDEX

---

RESET BUTTON .....	41
SHUNT TRIPS (BREAKERS) .....	89
SIDE SHEETS .....	18
SMC'S (BREAKERS, FUSES, CONTACTORS) .....	56-69
SPLICE KITS	
BACK TO BACK .....	24
CONNECTING HARDWARE .....	22
GROUND BUS .....	21
POWER BUS .....	20-21
SEALANT .....	22, 25
THICKNESS .....	23
TORQUE .....	22
STABS	
BULLETIN 2100 .....	46-48
BULLETIN 2400 .....	49-50
HARDWARE .....	48, 74
NO-OX-ID .....	48
SPECIFICATIONS .....	73-74
TORQUE (MOUNTING HARDWARE) .....	50, 74
STARTERS/CONTACTORS	
AUTO-XFMR .....	70-71
AUXILIARY	
BULLETIN 500 .....	55
BULLETIN 100 - 104 .....	51
COILS	
BULLETIN 500 .....	54
BULLETIN 100 - 104 .....	52
CONTACT KITS	
BULLETIN 500 .....	54
BULLETIN 100 - 104 .....	52
CROSS-REFERENCE	
BULLETIN 500 .....	46-48, 53
BULLETIN 100 - 104 .....	49-51
OVERLOAD RELAYS	
BULLETIN 2100 (BUL: 593) .....	37
BULLETIN 2400 (BUL: 194) .....	38
S.M.C. ....	56-68
SURGE SUPPRESSORS .....	52
TORQUE	
CONTROL TERMINALS .....	52, 55, 109
POWER TERMINALS .....	52, 109
STRIP HEATER .....	16
SURGE SUPPRESSORS	
BULLETIN 500 .....	52
BULLETIN 100 - 104 .....	52
RELAY .....	72

## INDEX

---

SWITCHES		
AMMETER .....	103	
DISCONNECT		
BULLETIN 2100 .....	75-84	
BULLETIN 2400 .....	82-84	
SELECTOR (800T) .....	42	
VOLTMETER .....	103	
TAPE		
DOUBLE SIDED .....	25, 35	
TERMINAL BLOCKS .....		109
TORQUE .....	109	
WIRE RANGE .....	109	
THERMOSTAT		
AUTO TRANSFORMER .....	71	
STRIP HEATER .....	16	
THICKNESS		
BUS .....	23	
SHEET METAL .....	22	
TOP PLATES		
CABINET .....	16	
GASKET .....	25	
HARDWARE .....	16	
THICKNESS .....	22	
TORQUE .....	16	
UNIT .....	109	
TORQUE .....	109	
TORQUE		
BOLTED PRESSURE SWITCH .....	83	
BREAKERS .....	94	
BUS COVER MOUNTING .....	17	
BUS ACCESS COVER .....	17	
BUS SUPPORT MOUNTING .....	17	
CABINET .....	16	
CONNECTING HARDWARE .....	17, 22	
CONTROL DEVICES .....	52, 55, 102	
CONTROL FUSE BLOCK .....	102	
CONTROL STATION HOUSING .....	43	
DISCONNECT .....	83	
FUSE CLIP HARDWARE .....	83	
GROUND BUS .....	17, 22	
HANDLE MOUNTING HARDWARE .....	50	
HINGES .....	36	
HORIZONTAL WIREWAY COVERS .....	16	
INCOMING LINE HARDWARE .....	17	
LIFTING ANGLE .....	18	
LUGS		
BREAKER .....	94	
STARTER .....	55	

## INDEX

---

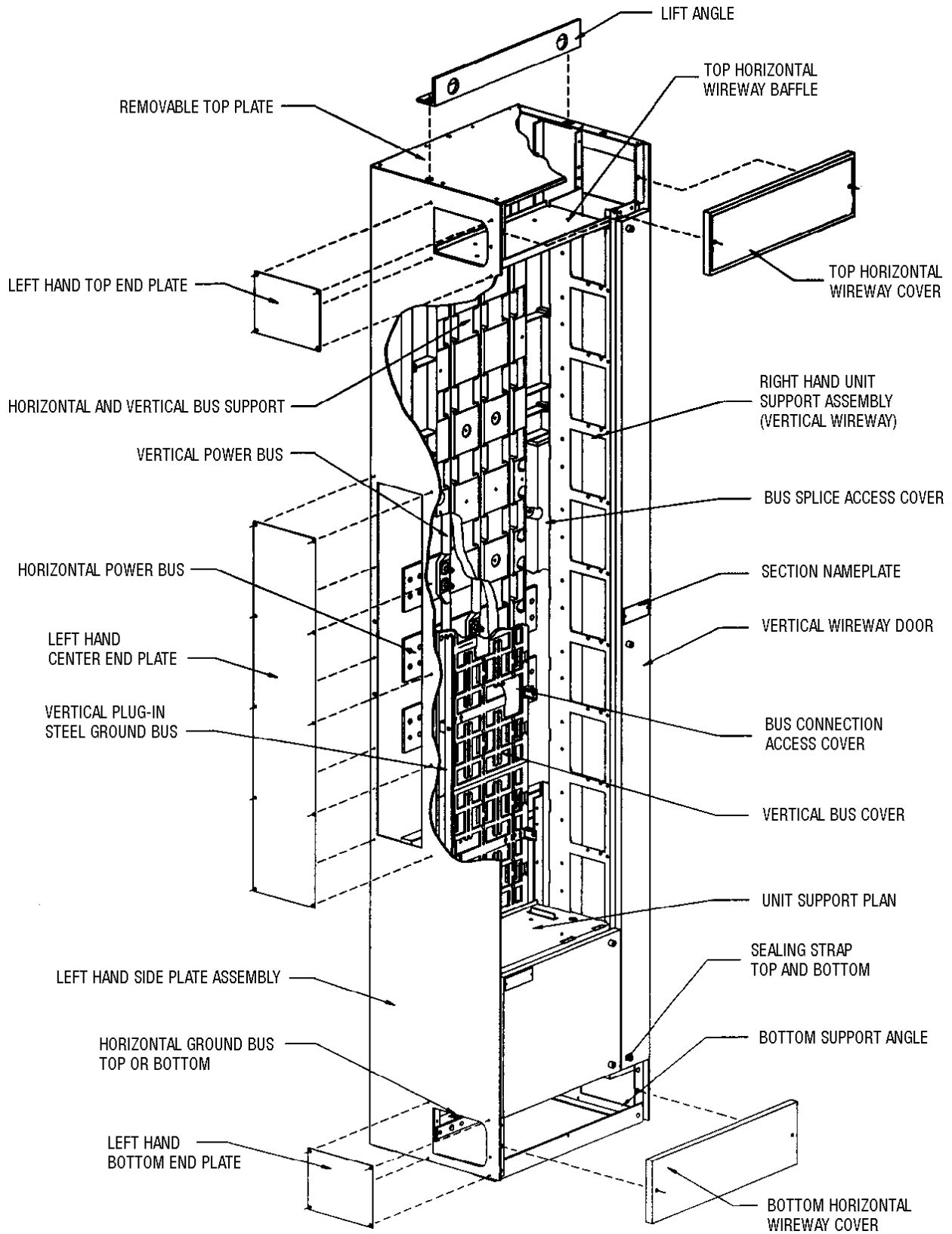
TORQUE (continued)	
NAMEPLATE SCREWS .....	17, 36
PILOT DEVICES .....	42
POWER BUS .....	22
STAB MOUNTING HARDWARE .....	50, 74
STARTER CONNECTIONS .....	55, 52, 109
TERMINAL BLOCK .....	109
TRANSFORMERS	
CONTROL (REF: 2100-6.1) .....	101
CROSS-REFERENCE .....	101
CURRENT .....	104-105
FILTERS .....	36
FUSING .....	101
HARDWARE (MOUNTING & TERMINAL) .....	101
LIGHTING .....	101
POTENTIAL .....	106
STARTING (AUTO) .....	70-71
THERMAL CUTOUT .....	72
UNIT PARTS .....	109
UNIT SUPPORT	
PAN (REF: 2100-3.0)	
PUSH RIVET .....	17, 36
RIGHT HAND (VERTICAL WIREWAY) .....	18
VERTICAL	
BUS .....	19
BUS SUPPORT .....	18
BUS SUPPORT COVER .....	18
WIREWAY .....	18
WIREWAY DOORS .....	17
VOLTMETER	
METER .....	103
POTENTIAL TRANSFORMER .....	106
SWITCH .....	103
WARNING LABELS (SEE LABELS)	
WATT-HOUR-METER .....	103
WINDOWS (PLEXI-GLASS) .....	35
WIRE	
CONNECTOR (INTERWIRING BETWEEN SECTIONS) ...	115
LABELS .....	45
REFERENCE TABLE .....	115
SIZE .....	111-115
WIREWAY	
BARRIER .....	18
BUS SPLICE ACCESS COVER .....	17
CABLE TIE KIT .....	16

## INDEX

---

WIREWAY (continued)	
COVER (HORIZONTAL) .....	16
DOOR (VERTICAL) .....	17
RIGHT HAND UNIT SUPPORT .....	18
SEALING STRAP (TOP/BOTTOM) .....	18
VERTICAL WIREWAY BUS ACCESS COVER .....	17

# EXPLODED VIEW SECTION





## BUL: 2100 CABINET PARTS

### FOR SERIES "L" SECTIONS

REF: PUB. 2100-3.0 'MISC. HARDWARE ITEMS & KITS' FOR CATALOG ITEMS

DESCRIPTION (NOTE: 1)	SECTION		PART NUMBER		MOUNTING HARDWARE		
	WIDTH	DEPTH	NEMA 1/1G	NEMA 12	QTY	P/N	
TOP PLATE	20	15	40111-039-02	40111-411-17	8	M-8766	
	20	20	40111-095-02	40111-411-19	8		
	25	15	40111-108-02	40111-411-21	9		
	25	20	40111-119-02	40111-411-23	9		
	30	15	40111-108-05	40111-411-25	9		
	30	20	40111-119-05	40111-411-27	9		
	35	15	40111-108-08	40111-411-29	9		
	35	20	40111-119-08	40111-411-31	9		
BACK PLATE	20	ALL	40111-178-02	40111-475-01	20		
	25	ALL	40111-178-05	40111-475-03	20		
	30	ALL	40111-178-08	40111-475-05	20		
	35	ALL	40111-178-11	40111-475-07	20		
TOP END PLATE (2)	ALL	ALL	40111-194-02	40111-408-05	4		
CENTER END PLATE(2)	ALL	15	40111-011-02	40111-409-01	10		
CENTER END PLATE(2)	ALL	20	40111-011-05	40111-409-05	10		
CENTER SPECIAL(3)	ALL	15/20	40116-236-02	40116-442-01	7		
BOTTOM END PLATE(2)	ALL	ALL	40111-194-02	40111-408-05	4		
HORIZONTAL WIREWAY COVERS	20	ALL	2100-NWW20	2100-NWW20	(NOTE: 4)		
	25	ALL	2100-NWW25	2100-NWW25			
	30	ALL	2100-NWW30	2100-NWW30			
	35	ALL	2100-NWW35	2100-NWW35			
HORIZONTAL WIREWAY COVERS WITH MONOGRAM	20	ALL	40111-417-01	40111-417-01	(NOTE: 4)		
	25	ALL	40111-417-03	40111-417-03			
	30	ALL	40111-417-05	40111-417-05			
	35	ALL	40111-417-07	40111-417-07			

DESCRIPTION	PART NUMBER
VERTICAL GROUND STRAP (SER. "K" AND ABOVE)(FULL LENGTH)	40114-748-01
CABLE TIE KIT (4 CABLE TIES AND MOUNTING BLOCKS)	40111-442-01
CABLE TIE BAR KIT (MOUNTS IN VERTICAL WIREWAY)	2100-WWTB
STRIP HEATER (200 WATT, 120 VOLT) (9" X 1.5")	25371-200-01
STRIP HEATER (200 WATT, 240 VOLT) (9" X 1.5")	25371-200-02
THERMOSTAT FOR ABOVE STRIP HEATER (SET AT 65 DEG.)	X-450863

**NOTES:**

1. ALL PARTS ARE STANDARD PAINT. (TORQUE MTG. HARDWARE M-8766 TO 32 LB-IN)
2. REF: PUB: 2100-3.0 'MISC. HARDWARE ITEMS & KITS' END CLOSING PLATE CATALOG NUMBERS LISTED IN 2100-3.0 ARE KITS INCLUDING TOP, BOTTOM AND CENTER END PLATES AND MOUNTING HARDWARE.
3. USE WHEN SPLICING A 15" DEEP SECTION TO A 20" DEEP SECTION FRONT FLUSH WITH BUS IN THE STANDARD LOCATION.
4. MOUNTING HARDWARE INCLUDED WITH PART NUMBER. (TORQUE HARDWARE TO 11 LB-IN MAXIMUM.) ("MONOGRAM/TRADEMARK") PART NUMBER: 40009-063-01)

## BUL: 2100 CABINET PARTS

### FOR SERIES "L" SECTIONS

DESCRIPTION	PART NUMBER	NOTES
VERTICAL WIREWAY DOOR (FULL) (6 S.F.)	40111-486-51-1XXX	--
VERTICAL WIREWAY DOOR (4 S.F.)(LIGHTING XFMRs)	40111-486-55-1XXX	--
VERTICAL WIREWAY DOOR (2.5 S.F.)(2192 600/800A)	40111-486-72-1XXX	--
HORZ. GROUND BUS,1/4 X 1 (1) SECTION 20" WIDE	40114-813-01	1
HORZ. GROUND BUS,1/4 X 1 (2) SECTION 20" WIDE	40114-813-02	1
HORZ. GROUND BUS,1/4 X 1 (3) SECTION 20" WIDE	40114-813-03	1
HORZ. GROUND BUS,1/4 X 1 (1) SECTION 25" WIDE	40114-813-05	1
HORZ. GROUND BUS,1/4 X 1 (1) SECTION 30" WIDE	40114-813-06	1
HORZ. GROUND BUS,1/4 X 1 (1) SECTION 35" WIDE	40114-813-07	1
HORZ. GROUND BUS,1/4 X 2 (1) SECTION 20" WIDE	40114-814-01	1
HORZ. GROUND BUS,1/4 X 2 (2) SECTION 20" WIDE	40114-814-02	1
HORZ. GROUND BUS,1/4 X 2 (3) SECTION 20" WIDE	40114-814-03	1
HORZ. GROUND BUS,1/4 X 2 (1) SECTION 25" WIDE	40114-814-05	1
HORZ. GROUND BUS,1/4 X 2 (1) SECTION 30" WIDE	40114-814-06	1
HORZ. GROUND BUS,1/4 X 2 (1) SECTION 35" WIDE	40114-814-07	1
MASTER NAMEPLATE (2" X 6" WHITE/BLACK CORE)	40119-821-58	2
MASTER NAMEPLATE (2" X 6" BLACK/WHITE CORE)	40119-821-59	2
BUS SPLICE ACCESS COVER (END OF BLOCK)	40113-402-01	3
BUS SPLICE ACCESS COVER (CENTER OF BLOCK)	40113-402-04	3
10-32 X 3/8" TAPTITE (SELF TAPPING SCREW)	M-8764	4
10-32 X 3/4" TAPTITE (SELF TAPPING SCREW)	28172-040-02	4
10-32 X 1/2" TAPTITE (SELF TAPPING SCREW)	M-8766	4
1/4-20 X 1/2" TAPTITE(SPLICE CONNECTING HRWD)	M-8769	1
1/4-20 X 3/4" TAPTITE (SELF TAPPING SCREW)	M-8770	1
1/4-20 X 1-1/2" TAPTITE(BUS SUPPORT MOUNTING)	M-8771	1
PLASTIC PUSH RIVET FOR UNIT SUPPORT PANS	28435-001-01	--
PLASTIC PLUG FOR CONNECTING HARDWARE HOLES	28470-031-01	--
PLASTIC RIVET,MTG.H-V SPLICE COVER TO SUPPORT	M-8777	--
HI-LOW SELF TAPPING SCREW/BUS SUPPORT COVER	28182-509-26	5
1/4-20 SPEED NUT/TINNERMANN (H.W.W.COVER MTG)	M-8775	3
1/2" LOCK WASHER ( .90" OD,3/32"THICK)	M-248	--
1/2" FLAT WASHER (1" OD,1/16 THICK)	M-207	--
1/2" FLAT WASHER (1" OD,1/8" THICK)	M-357	--
1/2" FLAT WASHER (1.38" OD,3/32"THICK)	M-8798	--
1/2" BELLEVILLE (1.25" OD)	M-8796	--
1/2-13 HEX. HEAD STEEL NUT	M-22	6
1/2-13 X .75 HEX HEAD STEEL CAP SCREW	M-2974	6
1/2-13 X 1.00 HEX HEAD STEEL CAP SCREW	M-564	6
1/2-13 X 1.25 HEX HEAD STEEL CAP SCREW	M-8834	6
1/2-13 X 1.50 HEX HEAD STEEL CAP SCREW	M-561	6
1/2-13 X 1.75 HEX HEAD STEEL CAP SCREW	M-126	6
1/2-13 X 2.25 HEX HEAD STEEL CAP SCREW	M-21	6
1/2-13 X 2.00 BUS CLAMP	40196-357-53	6
1/2-13 X 2.50 BUS CLAMP	40196-357-52	6

**NOTES:**

1. 1/4-20 HARDWARE, TORQUE AT 65 LB-IN UNLESS NOTED.
2. NAMEPLATE MOUNT SCREW (M-5934), TORQUE AT 6-8 LB-IN UNLESS NOTED.
3. 1/4-20 HARDWARE INTO TINNEMANN NUT, TORQUE AT 20 LB-IN.
4. 10-32 HARDWARE, TORQUE AT 32 LB-IN UNLESS NOTED.
5. HI-LOW BUS COVER MOUNTING SCREW, TORQUE AT 50 LB-IN.
6. 1/2-13 HARDWARE, TORQUE AT 540 LB-IN UNLESS NOTED

**!!!! NOT SET - UP FOR SALES !!!!**  
**CONTACT PCP DIVISION PRODUCT SERVICE DEPARTMENT**  
**FOR AVAILABILITY**

**BUL: 2100 CABINET PARTS**

**FOR SERIES "L" SECTIONS**

DESCRIPTION	PART NUMBER
RIGHT HAND UNIT SUPPORT, 6 S.F., WITH BUS ACCESS	40111-389-02
R.H. UNIT SUP. ASSY., 6 SF, W/BUS ACCESS, COVER, SEAL STRAP	40111-558-01
RIGHT HAND UNIT SUPPORT, 6 S.F., WITHOUT BUS ACCESS	40111-390-02
R.H. UNIT SUPPORT ASSY., 6 SF, W-O/BUS ACC., W/SEAL STRAP	40111-558-02
RIGHT HAND UNIT SUPPORT BUS ACCESS COVER PLATE	40111-331-02
TOP/BOTTOM SEAL STRAP	40111-008-02
R.H. SIDE SHEET, 15" DEEP, 90" HIGH, BASIC	40111-552-02
L.H. SIDE SHEET, 15" DEEP, 90" HIGH, BASIC	40111-553-02
R.H./L.H. SIDE SHEET, 25" DEEP, 90" HIGH, BACK TO BACK	40111-547-02
L.H. SIDE SHEET, 20" DEEP, 90" HIGH, BASIC	40111-553-05
R.H. SIDE SHEET, 20" DEEP, 90" HIGH, BASIC	40111-552-05
VERTICAL BUS SUPPORT ASSY, 6 SF, 42K, 300A VERTICAL BUS	40113-860-01
VERTICAL BUS SUPPORT ASSY, 6 SF, 65K, 300A VERTICAL BUS	40113-875-01
VERTICAL BUS SUPPORT, 42 & 65K, FULL (6 S.F.)	40113-070-01
VERTICAL BUS SUPPORT, 42 & 65K, INCOMING LINE IN TOP W.W.	40113-071-01
VERTICAL BUS SUPPORT, 42 & 65K, 1 S.F. CUTOFF	40113-071-03
VERTICAL BUS SUPPORT, 42 & 65K, 1.5 S.F. CUTOFF	40113-071-04
VERTICAL BUS SUPPORT, 42 & 65K, 2 S.F. CUTOFF	40113-071-05
VERTICAL BUS SUPPORT COVER, 42K & 65K (TOP/BOTTOM)	40113-072-01
VERTICAL BUS SUPPORT COVER ASSEMBLY, 42K & 65K (CENTER)	40113-415-01
VERTICAL BUS SUPPORT COVER ASSEMBLY, (FRAME MOUNT)	40113-415-02
TOP HORIZONTAL WIREWAY PAN/BAFFLES, 20"W, 15"D, BASIC	40121-893-01
BOTTOM HORIZONTAL WIREWAY PAN/BAFFLES, 20"W, 15"D, BASIC	40121-893-02
TOP HORIZONTAL WIREWAY PAN/BAFFLES, 20"W, 20"D, BASIC	40121-893-05
BOTTOM HORIZONTAL WIREWAY PAN/BAFFLES, 20"W, 20"D, BASIC	40121-893-06
LIFTING ANGLE, 1 SECTION 20" WIDE (NOTE: 1)	40111-019-02
LIFTING ANGLE, 2 SECTION 20" WIDE (NOTE: 1)	40111-019-05
LIFTING ANGLE, 3 SECTION 20" WIDE (NOTE: 1)	40111-019-08

**NOTES:**

1. LIFTING ANGLES MOUNTS WITH (2) 1/2" BOLTS (M-8834) AND LOCK WASHERS (M-248) PER SECTION. (TORQUE BOLTS TO 780 LB-IN.)

**!!!! NOT SET - UP FOR SALES !!!!**  
**CONTACT PCP DIVISION PRODUCT SERVICE DEPARTMENT**  
**FOR AVAILABILITY**

**BUL: 2100 VERTICAL BUS BARS**

FOR SERIES "L" SECTIONS

DESCRIPTION	PART NUMBER
300 AMP CU/TIN VERTICAL BUS, FULL, L1 & L3	40113-302-02
300 AMP CU/TIN VERTICAL BUS, FULL, L2	40113-314-20
300 AMP CU/SIL VERTICAL BUS, FULL, L1 & L3	40113-302-03
300 AMP CU/SIL VERTICAL BUS, FULL, L2	40113-314-21
300 AMP CU/TIN VERTICAL BUS, 1.5 TOP L1, 1.5 BOTTOM L3	40113-302-17
300 AMP CU/TIN VERTICAL BUS, 1.5 TOP/BOTTOM L2	40113-302-20
300 AMP CU/TIN VERTICAL BUS, 1.5 TOP L3, 1.5 BOTTOM L1	40113-302-23
300 AMP CU/SIL VERTICAL BUS, 1.5 TOP L1, 1.5 BOTTOM L3	40113-302-18
300 AMP CU/SIL VERTICAL BUS, 1.5 TOP/BOTTOM L2	40113-302-21
300 AMP CU/SIL VERTICAL BUS, 1.5 TOP L3, 1.5 BOTTOM L1	40113-302-24
600 AMP CU/TIN VERTICAL BUS, FULL, L1 & L3	40113-304-02
600 AMP CU/TIN VERTICAL BUS, FULL, L2	40113-304-05
600 AMP CU/SIL VERTICAL BUS, FULL, L1 & L3	40113-304-03
600 AMP CU/SIL VERTICAL BUS, FULL, L2	40113-304-06
600 AMP CU/TIN VERTICAL BUS, INCOMING LINE TOP W.W. L1	40113-305-02
600 AMP CU/TIN VERTICAL BUS, INCOMING LINE TOP W.W. L2	40113-305-05
600 AMP CU/TIN VERTICAL BUS, INCOMING LINE TOP W.W. L3	40113-305-08
600 AMP CU/SIL VERTICAL BUS, INCOMING LINE TOP W.W. L1	40113-305-03
600 AMP CU/SIL VERTICAL BUS, INCOMING LINE TOP W.W. L2	40113-305-06
600 AMP CU/SIL VERTICAL BUS, INCOMING LINE TOP W.W. L3	40113-305-09
600A CU/TIN VERTICAL BUS,1 S.F. INC. LINE, TOP L1,BTM L3	40113-301-02
600A CU/TIN VERTICAL BUS,1 S.F. INC. LINE, TOP/BOTTOM L2	40113-301-05
600A CU/TIN VERTICAL BUS,1 S.F. INC. LINE, TOP L3,BTM L1	40113-301-08
600A CU/SIL VERTICAL BUS,1 S.F. INC. LINE, TOP L1,BTM L3	40113-301-03
600A CU/SIL VERTICAL BUS,1 S.F. INC. LINE, TOP/BOTTOM L2	40113-301-06
600A CU/SIL VERTICAL BUS,1 S.F. INC. LINE, TOP L3,BTM L1	40113-301-09
600A CU/TIN VERTICAL BUS,1.5 S.F. INC. LINE, TOP L1,BTM L3	40113-301-29
600A CU/TIN VERTICAL BUS,1.5 S.F. INC. LINE, TOP/BOTTOM L2	40113-301-32
600A CU/TIN VERTICAL BUS,1.5 S.F. INC. LINE, TOP L3,BTM L1	40113-301-35
600A CU/SIL VERTICAL BUS,1.5 S.F. INC. LINE, TOP L1,BTM L3	40113-301-30
600A CU/SIL VERTICAL BUS,1.5 S.F. INC. LINE, TOP/BOTTOM L2	40113-301-33
600A CU/SIL VERTICAL BUS,1.5 S.F. INC. LINE, TOP L3,BTM L1	40113-301-36

**SPLICE KITS FOR BUL: 2100 MCC'S**

<b>SPLICE KIT TO CONNECT A SECTION WITH FORMED POWER BUS TO STANDARD 15" OR 20" DEEP SECTION, FLUSH FRONT</b> (EXPML: 2000A "RD" Frame Breaker, 75-125 HP Drives)				
<b>POWER BUS DESCRIPTION</b>			<b>NEMA TYPE</b>	
<b>AMPS</b>	<b>MATERIAL</b>	<b>MOUNTING HOLES</b>	<b>1/1G</b>	<b>12</b>
600	ALUMINUM/TIN	2	2100H-NAT06	
		4	40114-810-01	40114-809-01
	COPPER/TIN	2	2100H-NCT06	
		4	40114-810-16	40114-809-16
		2	40114-714-11	40114-715-11
		4	40114-810-17	40114-809-17
800	COPPER/TIN	2	2100H-NCT08	
		4	40114-810-02	40114-809-02
	COPPER/SILVER	2	40114-714-03	40114-715-03
		4	40114-810-03	40114-809-03
	ALUMINUM/TIN	2	2100H-NAT08	
		4	40114-810-04	40114-809-04
1000 - 1200	COPPER/TIN	2	2100-NCT12	
		4	40114-810-08	40114-809-08
	COPPER/SILVER	2	40114-714-09	40114-715-09
		4	40114-810-09	40114-809-09
1600	COPPER/TIN	4	40114-810-10	40114-809-10
	COPPER/SILVER	4	40114-810-11	40114-809-11
2000	COPPER/TIN	4	40114-763-05	40114-774-05
	COPPER/SILVER	4	40114-763-06	40114-774-06
2500 - 3000	COPPER/TIN	4	40114-763-07	40114-774-07
	COPPER/SILVER	4	40114-763-08	40114-774-08

<b>STANDARD 2 HOLE POWER BUS SPLICE KITS FOR 15" AND 20" FRONT MOUNT OR 30" AND 40" BACK TO BACK SECTIONS</b>				
<b>DESCRIPTION</b>		<b>NEMA TYPE</b>		
<b>AMP RATING</b>	<b>MATERIAL</b>	<b>1/1G</b>	<b>12</b>	<b>3R</b>
600	ALUMINUM/TIN	2100-NAT06		40114-736-01
	COPPER/TIN	2100-NCT06		40114-736-10
	COPPER/SILVER	40114-714-11	40114-715-11	40114-736-11
800	ALUMINUM/TIN	2100-NAT08		40114-736-04
	COPPER/TIN	2100-NCT08		40114-736-02
	COPPER/SILVER	40114-714-03	40114-715-03	40114-736-03
1200	COPPER/TIN	2100-NCT12		40114-736-08
	COPPER/SILVER	40114-714-09	40114-715-09	40114-736-09
<b>STANDARD 4 HOLE POWER BUS SPLICE KITS</b>				
1600	COPPER/TIN	40114-810-10	40114-809-10	40114-861-10
	COPPER/SILVER	40114-810-11	40114-809-11	40114-861-11
2000	COPPER/TIN	40114-810-12	40114-809-12	40114-861-12
	COPPER/SILVER	40114-810-13	40114-809-13	40114-861-13
2500	COPPER/TIN	40114-810-14	40114-809-14	40114-861-14
	COPPER/SILVER	40114-810-15	40114-809-15	40114-861-15

**SPLICE KITS FOR BUL: 2100 MCC'S**

<b>SPLICE KIT FOR STANDARD 25" DEEP BACK TO BACK</b>				
<b>DESCRIPTION</b>		<b>NEMA TYPE</b>		<b>BACK TO BACK TIE KIT</b>
<b>AMP RATING</b>	<b>MATERIAL</b>	<b>1/1G</b>	<b>12</b>	
1000	ALUMINUM/TIN	40114-718-01	40114-719-01	40114-991-01
1200	ALUMINUM/TIN	40114-718-02	40114-719-02	40114-991-02
	COPPER/TIN	40114-718-04	40114-719-04	40114-991-04
	COPPER/SILVER	40114-718-05	40114-719-05	40114-991-05
1600	ALUMINUM/TIN	40114-718-03	40114-719-03	40114-991-03
	COPPER/TIN	40114-718-06	40114-719-06	40114-991-06
	COPPER/SILVER	40114-718-07	40114-719-07	40114-991-07
2000	COPPER/TIN	40114-718-08	40114-719-08	40114-991-08
	COPPER/SILVER	40114-718-09	40114-719-09	40114-991-09
2500	COPPER/TIN	40114-718-10	40114-719-10	40114-991-10
	COPPER/SILVER	40114-718-11	40114-719-11	40114-991-11

<b>"OFFSET" OR "Z" POWER BUS SPLICE KITS</b>			
<b>DESCRIPTION</b>		<b>NEMA TYPE</b>	
<b>AMP RATING</b>	<b>MATERIAL</b>	<b>1/1G</b>	<b>12</b>
600	ALUMINUM/TIN	40114-709-01	40114-710-01
	COPPER/TIN	40114-709-14	40114-710-14
	COPPER/SILVER	40114-709-15	40114-710-15
800	ALUMINUM/TIN	40114-709-04	40114-710-04
	COPPER/TIN	40114-709-02	40114-710-02
	COPPER/SILVER	40114-709-03	40114-710-03
1200	COPPER/TIN	40114-709-08	40114-710-08
	COPPER/SILVER	40114-709-09	40114-710-09
1600	COPPER/TIN	40114-709-10	40114-710-10
	COPPER/SILVER	40114-709-11	40114-710-11
2000	COPPER/TIN	40114-709-12	40114-710-12
	COPPER/SILVER	40114-709-13	40114-710-13
2500	COPPER/TIN	30154-211-01	-----
	COPPER/SILVER	30154-211-02	-----

<b>GROUND BUS SPLICE KITS</b>		
<b>DESCRIPTION</b>	<b>NEMA TYPE 1 &amp; 12</b>	<b>NEMA TYPE 3R</b>
¼" X 1" UNPLATED	2100-NC1	40114-815-03
¼" X 2" UNPLATED	2100-NC2	40114-815-04
¼" X 1" TIN PLATED	2100-NTC1	40114-914-05
¼" X 2" TIN PLATED	2100-NTC2	40114-914-07
¼" X 1" SILVER PLATED	40114-914-02	40114-914-06
¼" X 2" SILVER PLATED	40114-914-04	40114-914-08
¼" X 1" "Z" OFFSET UNPLATED	40114-988-01	NOT AVAILABLE
¼" X 2" "Z" OFFSET UNPLATED	40114-988-04	NOT AVAILABLE

## MISCELLANEOUS MOUNTING HARDWARE

DESCRIPTION	PART NUMBER	TORQUE
3/8-16 CONICAL LOCK WASHER AND NUT ASSEMBLY	28355-101-25	-----
3/8 FLAT WASHER	M-353	-----
3/8-16 X 1.38" BUS CLAMP ASSEMBLY	40129-407-01	456 LB-IN
3/8-16 X 1.50" BUS CLAMP ASSEMBLY	40129-407-02	456 LB-IN
3/8-16 X 1.75" BUS CLAMP ASSEMBLY	40129-407-03	456 LB-IN
3/8-16 X 2.00" BUS CLAMP ASSEMBLY	40129-407-04	456 LB-IN
3/8-16 X 2.25" BUS CLAMP ASSEMBLY	40129-407-05	456 LB-IN
3/8-16 X 2.50" BUS CLAMP ASSEMBLY	40129-407-06	456 LB-IN
3/8-16 X 2.75" BUS CLAMP ASSEMBLY	40129-407-07	456 LB-IN
3/8-16 X 3.25" BUS CLAMP ASSEMBLY	40129-407-08	456 LB-IN
3/8-16 X 3.50" BUS CLAMP ASSEMBLY	40129-407-09	456 LB-IN
CONNECTING HRWD./JOIN SECTION SIDE TO SIDE	40111-800-03	65 LB-IN
SILASTIC SEALANT/NEMA 12 SPLICING (2.8 OZ)	T9251-306	-----
#4 TO 500 MCM GROUND LUG AND MOUNTING HRWD	40114-812-01	540 LB-IN
#6 TO 250 MCM GROUND LUG AND MOUNTING HRWD	40114-812-02	540 LB-IN

## BUL: 2100 SHEET METAL THICKNESS

DESCRIPTION	NOMINAL THICKNESS			APPROX. GAUGE
	FRACTION	DECIMAL	MILLIMETER	
BACK PLATE 20" WIDE	5/64	.075	1.905	14
BACK PLATE 25" WIDE & WIDER	7/64	.105	2.667	12
BOTTOM ANGLES (FRONT/REAR)	11/64	.164	4.1656	8
BOTTOM PLATES	5/64	.075	1.905	14
DOORS (VERTICAL WIREWAY)	1/16	.060	1.524	16
DOORS (1 S.F. TO 5 S.F.)	5/64	.075	1.905	14
DOORS (6 S.F.)	7/64	.105	2.667	12
END CLOSING PLATES (EXTERNAL)	5/64	.075	1.905	14
HORIZONTAL WIREWAY COVER	1/16	.060	1.524	16
HORIZONTAL WIREWAY PAN (TOP)	1/16	.060	1.524	16
LIFTING ANGLES	1/4	.250	6.350	3
PULLBOX PARTS	5/64	.075	1.905	14
REINFORCING "C" CHANNEL	7/64	.105	2.667	12
RIGHT HAND UNIT SUPPORT	3/32	.090	2.286	13
SIDE PLATES	5/64	.075	1.905	14
SILL/BASE CHANNEL (INTERNAL)	9/64	.134	3.405	10
TOP PLATES (ALL WIDTHS)	5/64	.075	1.905	14
UNIT SUPPORT PANS	5/64	.075	1.905	14
WIREWAY BAFFLES	5/64	.075	1.905	14
WRAPAROUNDS	5/64	.075	1.905	14

## BUS AND SPLICE BAR DIMENSIONS

STANDARD NEMA 1, 1G, 12 & 3R SPLICE BAR INFORMATION							
AMP	MATERIAL	QTY	THICKNESS	QTY	THICKNESS	WIDTH	MTG. HOLES
600	COPPER/TIN	1	.125"	-	-----	3"	2 OR 4
	COPPER/SILVER	1	.125"	-	-----		
	ALUMINUM/TIN	1	.125"	-	-----	4"	
800	COPPER/TIN	1	.125"	-	-----	4"	2 OR 4
	COPPER/SILVER	1	.125"	-	-----		
	ALUMINUM/TIN	1	.1875"	-	-----		
1000	COPPER/TIN	1	.1875"	-	-----	4"	2 OR 4
	COPPER/SILVER	1	.1875"	-	-----		
1200	COPPER/TIN	1	.250"	-	-----	4"	2 OR 4
	COPPER/SILVER	1	.250"	-	-----		
1600	COPPER/TIN	2	.250"	-	-----	4"	4
	COPPER/SILVER	2	.250"	-	-----		
2000	COPPER/TIN	1	.250"	1	.375"	4"	4
	COPPER/SILVER	1	.250"	1	.375"		
2500	COPPER/TIN	2	.375"	-	-----	4"	4
	COPPER/SILVER	2	.375"	-	-----		

2000 AMP "PC" MAIN OR FEEDER BREAKER							
AMP	MATERIAL	QTY	THICKNESS	QTY	THICKNESS	WIDTH	MTG. HOLES
2000	COPPER/TIN	1	.375"	1	.250	4"	4
	COPPER/SILVER	1	.375"	1	.250		

"Z" SPLICE BAR							
(USED TO SPLICE STANDARD DEPTH BUS TO BUS 5" DEEPER)							
NOTE: 600-1200 AMP BUS IS THE SAME THICKNESS AS A STANDARD SPLICE BAR							
AMP	MATERIAL	QTY	THICKNESS	QTY	THICKNESS	WIDTH	MTG. HOLES
1600	COPPER/TIN	1	.500"	-	-----	4"	4
	COPPER/SILVER	1	.500"	-	-----		
2000	COPPER/TIN	1	.625"	-	-----	4"	4
	COPPER/SILVER	1	.625"	-	-----		

DECIMAL	FRACTION	MILLIMETER	DECIMAL	FRACTION	MILLIMETER
.125"	1/8"	3.175	.1875"	3/16"	4.763
.250"	1/4"	6.350	.375"	3/8"	9.525
.500"	1/2"	12.700	.625"	5/8"	15.875



**A T T E N T I O N**  
**DO NOT ATTEMPT THIS MODIFICATION WITHOUT DETAILED**  
**INSTRUCTIONS AVAILABLE FROM MILWAUKEE PRODUCT**  
**SERVICE GROUP OF THE PCP DIVISION**

**MATERIAL TO CHANGE A FRONT MOUNT MCC TO BACK TO BACK**

(NOTE: ONE REQUIRED PER BACK TO BACK LINE-UP)

<b>HORIZONTAL POWER BUS LINK</b>				
<b>DESCRIPTION</b>			<b>30" DEEP</b>	<b>40" DEEP</b>
<b>AMPS</b>	<b>MATERIAL</b>	<b>MOUNTING HOLES</b>		
600	COPPER/TIN	2	40114-732-10	40114-734-11
	COPPER/SILVER		40114-732-11	40114-734-11
	ALUMINUM/TIN		40114-732-01	40114-734-01
800	COPPER/TIN	2	40114-732-02	40114-734-02
	COPPER/SILVER		40114-732-03	40114-734-03
	ALUMINUM/TIN		40114-732-04	40114-734-04
1000	COPPER/TIN	2	40114-732-05	40114-734-05
	COPPER/SILVER		40114-732-06	40114-734-06
	ALUMINUM/TIN		40114-732-07	40114-734-07
1200	COPPER/TIN	2	40114-732-08	40114-734-08
	COPPER/SILVER		40114-732-09	40114-734-09
1600	COPPER/TIN	4	40114-835-10	40114-847-10
	COPPER/SILVER		40114-835-11	40114-847-11
2000	COPPER/TIN	4	40114-835-12	40114-847-12
	COPPER/SILVER		40114-835-13	40114-847-13

(NOTE: ONE REQUIRED PER BACK TO BACK LINE UP)

<b>GROUND SPLICE LINK</b>	<b>30" DEEP</b>		<b>40" DEEP</b>	
	<b>UNPLATED</b>	<b>TIN PLATED</b>	<b>UNPLATED</b>	<b>TIN PLATED</b>
¼" X 1"	40114-880-01	40114-915-01	40114-881-01	40114-915-05
¼" X 2"	40114-880-09	40114-915-03	40114-881-09	40114-915-07

(NOTE: SIX PIECES ARE REQUIRED FOR EACH 1 SECTION BACK TO BACK SPLICE)

<b>PART NUMBER</b>	<b>DESCRIPTION</b>
M-6	1/4" LOCK WASHER
M-7	1/4-20 HEX NUT
M-1	1/4-20 X .625 HEX.HEAD CAP SCREW

(NOTE: ONE REQUIRED FOR EACH 1 SECTION BACK TO BACK SPLICE)

(EXAMPLE: 10 SECTIONS FRONT MOUNT WOULD REQUIRE 5 PIECES TO MOUNT B-T-B)

<b>TOP SEAM STRAP</b>	<b>STANDARD PAINT</b>	
	<b>NEMA TYPE 12</b>	<b>NEMA TYPE 1</b>
20" WIDE	40111-425-01	40111-040-02
25" WIDE	40111-425-03	40111-040-05
30" WIDE	40111-425-05	40111-040-08
35" WIDE	40111-425-07	40111-040-11

## DOOR, HANDLE AND CABINET GASKET

(NOTE: MOST ADHESIVES AND GASKET HAVE A SHELF LIFE OF 3 TO 6 MONTHS.)

PART NUMBER	DESCRIPTION	NOTES/USED
T5443-402	.125" X .75" SELF ADHESIVE	BACK PLATES, TOP PLATES, ETC.
T5443-408	.125" X .50" SELF ADHESIVE	END CLOSING PLATES
T5445-401	.125" X .45" SELF ADHESIVE	CABINETS
T5445-402	.125" X .625" SELF ADHESIVE	UNIT SUPPORT/WIREWAY PAN
T5445-403	.125" X .875" SELF ADHESIVE	DOOR GASKET - CABINET EDGE
T5445-604	312" X .375" SELF ADHESIVE	FRONT EDGE OF SIDE SHEETS
T5445-605	38" X 1.0" SELF ADHESIVE	DRIVE/SMC DUCTWORK / 3R
40119-169-01	6.81" X 3.43" CONTROL STATION	STANDARD CONTROL STATION
40119-169-02	6.0" X 2.25" CONTROL STATION	DUAL 2113
40119-263-01	2.0" X .62" DEFEATOR CATCH	STANDARD UNIT
40119-263-02	2.69" X .62" DEFEATOR CATCH	LEFT HANDLE DUAL 2113/2193
40119-264-01	1.62" X 9.38" HANDLE GASKET	SMALL HANDLE, STANDARD UNIT
40119-264-02	2.31" X 9.38" HANDLE GASKET	SMALL HANDLE, LEFTHAND/DUAL
40119-013-02	14.0" X 3.0" HANDLE GASKET	LARGE HANDLE
40119-013-06	9.38" X 1.62" HANDLE GASKET	MEDIUM HANDLE
40119-013-08	15.38" X 3.0" HANDLE GASKET	
40119-013-10	7.38" X 1.5" HANDLE GASKET	BUL:2400 HANDLES
40119-013-11	2.88" X 1.63" HANDLE GASKET	BUL:2400 CONTROL STATION
T6063-235	DOUBLE SIDED TAPE (.50")	HOLD WINDOWS TO DOORS
T6063-408	DOUBLE SIDED TAPE (1.00")	HOLD WINDOWS TO DOORS
T9251-306	2.8 OZ. TUBE OF SEALANT	FOR NEMA 12 SPLICING
40126-807-01	DIAGRAM POCKET FOR SECTIONS	MOUNTED ON HORZ.W.W. COVER
40120-558-01	DIAGRAM POCKET FOR UNITS	MTG. ON TOP PLATE OF UNIT

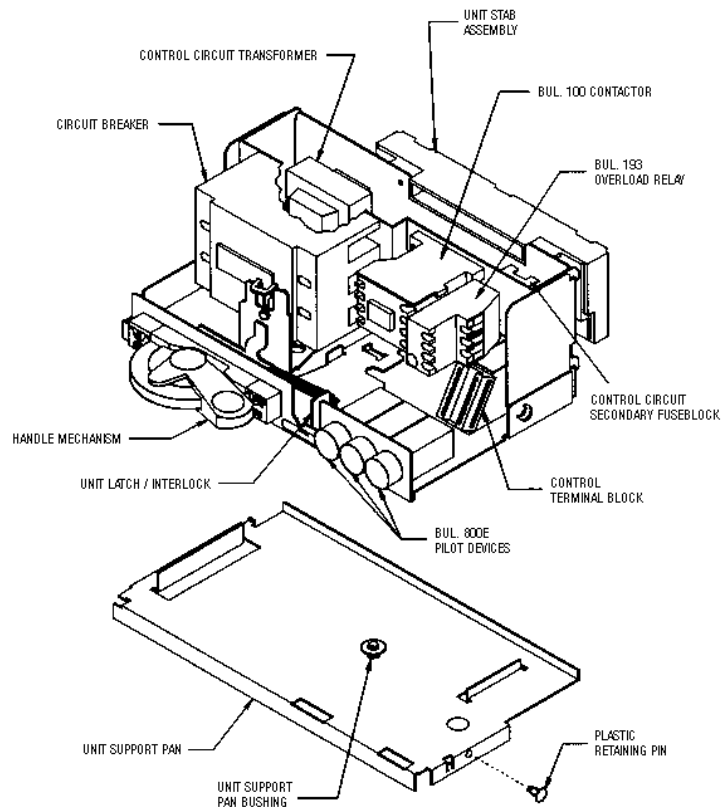
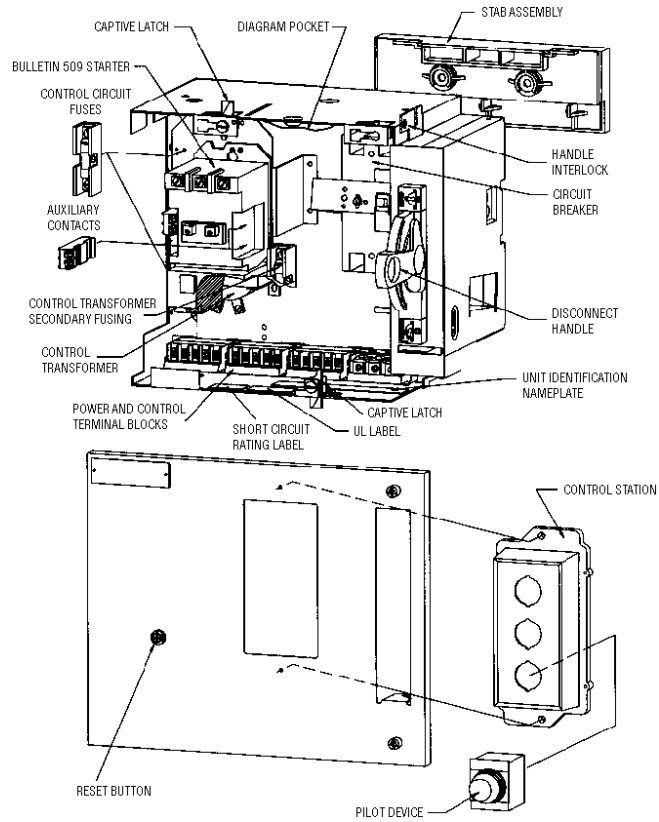
## INCOMING LINE LUG CROSS-REFERENCE

PART NUMBER	CATALOG NUMBER (NOTE: 1)	STRING NUMBER (NOTE: 2)	BURNDY (NOTE: 3)	SCOTCHLOK (NOTE: 4)	T&B (NOTE: 5)	MCM (NOTE: 1)
22171-821-01	2100-82250	-82*250	-----	31149	-----	250
22171-822-01	2100-83250	-83*250	YA29A3	-----	-----	250
22171-901-01	-----	-----	-----	-----	60267	350
22171-902-01	2100-82350	-82*350	-----	31156	-----	350
22171-903-01	2100-83350	-83*350	YA31A3	-----	-----	350
22171-941-01	-----	-----	-----	-----	60273	500
22171-942-01	2100-82500	-82*500	-----	31166	-----	500
22171-943-01	2100-83500	-83*500	YA34A3	-----	-----	500
22171-961-01	-----	-----	-----	-----	60278	750
22171-962-01	2100-82750	-82*750	-----	31172	-----	750
22171-963-01	2100-83750	-83*750	YA39M2	-----	-----	750

**NOTES:**

1. REFER TO PUBLICATION 2100-3.0 FOR ADDITIONAL LUG INFORMATION.
2. REFER TO PUBLICATION 2100-3.0, "2191M/F, 2192M/F OR 2193M/F" FOR COMPLETION OF CATALOG NUMBERS AND ASSOCIATED INFORMATION.
3. LUGS ARE CRIMP TYPE, BURNDY 'YA' SERIES FOR ALUMINUM/COPPER WIRE.
4. LUGS ARE CRIMP TYPE, 3M-SCOTCHLOK '31000' SERIES FOR COPPER WIRE.
5. LUGS ARE CRIMP TYPE, THOMAS & BETTS, FOR ALUMINUM/COPPER WIRE.

# INSERT EXPLODED VIEW OF UNIT



## DOORS FOR BULLETIN 2100 UNITS

---

The following pages will aid in selecting part numbers for unit doors. Locate unit description in column headed "catalog number" and order the door as shown in the column headed "part number". Further descriptive information listed in the columns to the right of "part number" will aid in locating the proper door part number where the "catalog number" column does not provide sufficient information.

"BLK" - BLANK, "NPH" - NAMEPLATE MOUNTING HOLES, "HND" - HANDLE CUTOUT  
 "EXL" - EXTRA LATCH, "CNT" - CONTROL STAT. CUTOUT, "PLT" - PILOT DEVICE CUTOUT  
 "20W" - 20" WIDE, "25W" - 25" WIDE, "30W" - 30" WIDE, "35W" - 35" WIDE

CATALOG NUMBER	S.F.	PART NUMBER	B L K	N P H	H N D	E X L	C N T	P L T	2 0 W	2 5 W	3 0 W	3 5 W
FOR 2100-CA10	1.0	40118-124-51-1XXX	X	X								
FOR 2100-CA15	1.5	40118-165-51-1XXX	X	X								
FOR 2100-SD1	0.5	40118-051-55-1050-1B		X	X			X				
FOR 2100-NA10	1.0	40118-124-51-1XXX	X	X								
WITH CNTL. STAT.	1.0	40118-124-51-1101-1C	X	X			X					
FOR 2100-NA15	1.5	40118-165-51-1XXX	X	X								
FOR 2100-NA20	2.0	40118-232-51-1XXX	X	X								
FOR 2100-NA25	2.5	40118-259-51-1256-1J	X	X		X						
FOR 2100-NA30	3.0	40118-329-51-1300-1J	X	X		X						
FOR 2100-NA35	3.5	40118-360-51-1350-1J	X	X		X						
FOR 2100-NA40	4.0	40118-428-51-1400-1J	X	X		X						
FOR 2100-NA60	6.0	40118-626-51-1606-1AJ	X	X		X			X			
6S.F., 25" WIDE	6.0	40118-655-51-1650-1AJ	X	X		X				X		
6S.F., 30" WIDE	6.0	40118-723-51-1700-1AJ	X	X		X					X	
6S.F., 35" WIDE	6.0	40118-752-51-1750-1AJ	X	X		X						X
2100*-CA*-****	1.5	40118-161-51-1XXX	X	X								
WITH CNTL. STAT.	1.5	40118-161-53-1XXX	X	X			X					
2100*-DA*-****	2.0	40118-233-51-1XXX	X	X								
WITH CNTL. STAT.	2.0	40118-233-53-1XXX	X	X			X					
2100*-EA*-****	2.5	40118-260-51-1XXX	X	X								
WITH CNTL. STAT.	2.5	40118-260-53-1XXX	X	X			X					
2100*-FA*-****	3.0	40118-330-51-1XXX	X	X								
WITH CNTL. STAT.	3.0	40118-330-53-1XXX	X	X			X					
2100*-GA*-****	3.5	40118-361-51-1XXX	X	X								
WITH CNTL. STAT.	3.5	40118-361-53-1XXX	X	X			X					
2100*-HA*-****	4.0	40118-429-51-1XXX	X	X								
WITH CNTL. STAT.	4.0	40118-429-53-1XXX	X	X			X					
2102 L30-60AMP	1.0	40118-126-51-1XXX		X	X							
WITH CNTL. STAT.	1.0	40118-126-53-1XXX		X	X		X					
2102 L30-60AMP	1.5	40118-161-51-1XXX		X	X							
WITH CNTL. STAT.	1.5	40118-161-53-1XXX		X	X		X					
2102 L100AMP	2.5	40118-260-51-1XXX		X	X							
WITH CNTL. STAT.	2.5	40118-260-53-1XXX		X	X		X					

## DOORS FOR BULLETIN 2100 UNITS

"BLK" - BLANK, "NPH" - NAMEPLATE MOUNTING HOLES, "HND" - HANDLE CUTOUT  
 "EXL" - EXTRA LATCH, "CNT" - CONTROL STATION CUTOUT, "RST" - RESET BUTTON  
 "SFE" - .5 SPACE FACTOR ABOVE STANDARD, "20W" - 20" WIDE, "25W" - 25" WIDE

CATALOG NUMBER	S.F.	PART NUMBER	B L K	N P H	H N D	E X L	C N T	R S T	S F E	2 0 W	2 5 W
2102L 200 AMP	3.0	40118-331-51-1XXX		X	X						
WITH CNTL. STAT.	3.0	40118-331-53-1XXX		X	X		X				
2102L 300 AMP	4.0	40118-437-51-1XXX		X	X						
WITH CNTL. STAT.	4.0	40118-437-53-1XXX		X	X		X				
2103L 30-60 AMP	1.0	40118-126-51-1XXX		X	X						
WITH CNTL. STAT.	1.0	40118-126-53-1XXX		X	X		X				
2103L 30-100 AMP	1.5	40118-161-51-1XXX		X	X					X	
WITH CNTL. STAT.	1.5	40118-161-53-1XXX		X	X		X			X	
2103L DUAL 30-60	1.5	40118-166-51-1XXX		2	2						
WITH CNTL. STAT.	1.5	40118-166-53-1XXX		2	2		2				
2103L 100 AMP	2.0	40118-233-51-1XXX		X	X					X	
WITH CNTL. STAT.	2.0	40118-233-53-1XXX		X	X		X			X	
2103L 200 AMP	2.5	40118-261-51-1XXX		X	X						
WITH CNTL. STAT.	2.5	40118-261-53-1XXX		X	X		X				
2103L 300 AMP	3.5	40118-367-51-1XXX		X	X						
WITH CNTL. STAT.	3.5	40118-367-53-1XXX		X	X		X				
2106 SIZE 1-2	1.5	40118-161-51-1161-1A		X	X				X		
WITH CNTL. STAT.	1.5	40118-161-53-1161-1A		X	X		X	X			
(2) CNTL. STAT.	1.5	40118-161-53-1161-1A		X	X		2	X			
2106 SIZE 1-2	2.0	40118-233-51-1210-1A		X	X				X	X	
WITH CNTL. STAT.	2.0	40118-233-53-1210-1A		X	X		X	X	X		
(2) CNTL. STAT.	2.0	40118-233-53-1210-1A		X	X		2	X	X		
2106 SIZE 3	3.0	40118-330-51-1334-1A		X	X				X		
WITH CNTL. STAT.	3.0	40118-330-53-1334-1A		X	X		X	X			
(2) CNTL. STAT.	3.0	40118-330-53-1334-1A		X	X		2	X			
2106 SIZE 4	4.0	40118-430-51-1410-1A		X	X				X		
WITH CNTL. STAT.	4.0	40118-430-53-1410-1A		X	X		X	X			
(2) CNTL. STAT.	4.0	40118-430-53-1410-1A		X	X		2	X			
2106 SIZE 5	6.0	40118-627-51-1649-1AC		X	X				X		X
WITH CNTL. STAT.	6.0	40118-627-53-1649-1AC		X	X		X	X		X	
(2) CNTL. STAT.	6.0	40118-627-53-1649-1AC		X	X		2	X		X	
2107 SIZE 1-2	1.5	40118-161-51-1161-1A		X	X				X		
WITH CNTL. STAT.	1.5	40118-161-53-1161-1A		X	X		X	X			
(2) CNTL. STAT.	1.5	40118-161-53-1161-1A		X	X		2	X			
2107 SIZE 1-2	2.0	40118-210-51-1161-1A		X	X				X		
WITH CNTL. STAT.	2.0	40118-210-53-1161-1A		X	X		X	X			
(2) CNTL. STAT.	2.0	40118-210-53-1161-1A		X	X		2	X			
2107 SIZE 3	3.0	40118-330-51-1314-1A		X	X				X		
WITH CNTL. STAT.	3.0	40118-330-53-1314-1A		X	X		X	X			
(2) CNTL. STAT.	3.0	40118-330-53-1314-1A		X	X		2	X			
2107 SIZE 4	4.0	40118-429-51-1417-1A		X	X				X		
WITH CNTL. STAT.	4.0	40118-429-53-1417-1A		X	X		X	X			
(2) CNTL. STAT.	4.0	40118-429-53-1417-1A		X	X		2	X			
THERMAL BREAKER	4.0	40118-430-51-1410-1A		X	X				X		
WITH CNTL. STAT.	4.0	40118-430-53-1410-1A		X	X		X	X			
(2) CNTL. STAT.	4.0	40118-430-53-1410-1AB		X	X		2	X			

## DOORS FOR BULLETIN 2100 UNITS

"BLK" - BLANK, "NPH" - NAMEPLATE MOUNTING HOLES, "HND" - HANDLE CUTOUT  
 "EXL" - EXTRA LATCH, "CNT" - CONTROL STATION CUTOUT, "RST" - RESET BUTTON  
 "SFE" - .5 SPACE FACTOR ABOVE STANDARD, "20W" - 20" WIDE, "25W" - 25" WIDE

CATALOG NUMBER	S.F.	PART NUMBER	B L K	N P H	H N D	E X L	C N T	R S T	S F E	2 0 W	2 5 W
2107 SIZE 5	6.0	40118-627-51-1649-1BC		X	X			X		X	
WITH CNTL. STAT.	6.0	40118-627-53-1649-1BC		X	X		X	X		X	
(2) CNTL. STAT.	6.0	40118-627-53-1649-1BC		X	X		2	X		X	
2112 SIZE 1	.5	40118-054-51-1053-1A		X	X			X			
WITH CNTL. STAT.	.5	INVALID FOR DEVICE SIZE		X	X		X	X			
2112 SIZE 1-2	1.0	40118-126-51-1105-1A		X	X			X			
WITH CNTL. STAT.	1.0	40118-126-53-1105-1A		X	X		X	X			
2112 SIZE 1-2	1.5	40118-161-51-1160-1C		X	X			X	X		
WITH CNTL. STAT.	1.5	40118-161-53-1160-1C		X	X		X	X	X		
(2) CNTL. STAT.	1.5	40118-161-53-1160-1C		X	X		2	X	X		
2112 SIZE 3	2.5	40118-260-51-1275-1A		X	X			X			
WITH CNTL. STAT.	2.5	40118-260-53-1275-1A		X	X		X	X			
(2) CNTL. STAT.	2.5	40118-260-53-1275-1A		X	X		2	X			
2112 SIZE 4	3.0	40118-331-51-1342-1A		X	X			X			
WITH CNTL. STAT.	3.0	40118-331-53-1342-1A		X	X		X	X			
(2) CNTL. STAT.	3.0	40118-331-53-1342-1A		X	X		2	X			
2112 SIZE 5	4.0	40118-437-51-1416-1A		X	X	X		X			
WITH CNTL. STAT.	4.0	40118-437-53-1416-1A		X	X	X	X	X			
(2) CNTL. STAT.	4.0	40118-437-53-1416-1A		X	X	X	2	X			
2112 SIZE 6	6.0	40118-663-53-1694-1C		X	X			X			X
WITH CNTL. STAT.	6.0	40118-663-53-1694-1C		X	X		X	X			X
2112 200A (VAC)	3.5	40118-374-51-1389-1A		X	X			X			
WITH CNTL. STAT.	3.5	40118-374-53-1389-1A		X	X		X	X			
2112 350A (VAC)	4.0	40118-437-51-1428-1A		X	X			X			
WITH CNTL. STAT.	4.0	40118-437-53-1428-1A		X	X		X	X			
(2) CON. STAT.	4.0	40118-437-53-1428-1A		X	X		2	X			
2112 400A (VAC)	6.0	40118-626-51-1697-1ABC		X	X			X		X	
WITH CNTL. STAT.	6.0	40118-626-51-1697-1ABCD		X	X		X	X		X	
2113 SIZE 1	.5	40118-054-51-1053-1A		X	X			X			
WITH CNTL. STAT.	.5	40118-054-53-1053-1A		X	X		X	X			
2113 SIZE 1-2	1.0	40118-126-51-1105-1A		X	X			X			
WITH CNTL. STAT.	1.0	40118-126-53-1105-1A		X	X		X	X			
2113 SIZE 1-2	1.5	40118-161-51-1160-1C		X	X			X	X		
WITH CNTL. STAT.	1.5	40118-161-53-1160-1C		X	X		X	X	X		
(2) CNTL. STAT.	1.5	40118-161-53-1160-1BC		X	X		2	X	X		
2113 DUAL S.1-2	1.5	40118-166-51-1168-1A		2	2			2			
WITH CNTL. STAT.	1.5	40118-166-51-1168-1AB		2	2		2	2			
2113 SIZE 3	1.5	40118-161-51-1167-1A		X	X			X			
WITH CNTL. STAT.	1.5	40118-161-53-1167-1A		X	X		X	X			
(2) CNTL. STAT.	1.5	40118-161-53-1167-1AB		X	X		2	X			
2113 SIZE 4	2.0	40118-233-51-1223-1A		X	X			X			
WITH CNTL. STAT.	2.0	40118-233-53-1223-1A		X	X		X	X			
(2) CNTL. STAT.	2.0	40118-233-53-1223-1AB		X	X		2	X			
2113 SIZE 4	2.5	40118-260-51-1273-1A		X	X			X	X		
WITH CNTL. STAT.	2.5	40118-260-53-1273-1A		X	X		X	X	X		
(2) CNTL. STAT.	2.5	40118-260-53-1273-1AB		X	X		2	X	X		
THERMAL BREAKER	2.5	40118-261-51-1260-1A		X	X			X	X		
WITH CNTL. STAT.	2.5	40118-261-53-1260-1A		X	X		X	X	X		
(2) CNTL. STAT.	2.5	40118-261-53-1260-1AB		X	X		2	X	X		

## DOORS FOR BULLETIN 2100 UNITS

"BLK" - BLANK, "NPH" - NAMEPLATE MOUNTING HOLES, "HND" - HANDLE CUTOUT  
 "EXL" - EXTRA LATCH, "CNT" - CONTROL STATION CUTOUT, "RST" - RESET BUTTON  
 "SFE" - .5 SPACE FACTOR ABOVE STANDARD, "20W" - 20" WIDE, "25W" - 25" WIDE

CATALOG NUMBER	S.F.	PART NUMBER	B L K	N P H	H N D	E X L	C N T	R S T	S F E	2 0 W	2 5 W
2113 SIZE 5	3.5	40118-367-51-1370-1A		X	X			X			
WITH CNTL. STAT.	3.5	40118-367-53-1370-1A		X	X		X	X			
(2) CNTL. STAT.	3.5	40118-367-53-1370-1AB		X	X		2	X			
2113 SIZE 6	6.0	40118-659-51-1688-1A		X	X			X			X
WITH CNTL. STAT.	6.0	40118-659-53-1688-1A		X	X		X	X			X
(2) CNTL. STAT.	6.0	40118-659-53-1688-1AB		X	X		2	X			X
2113 180A (VAC)	3.0	40118-330-51-1329-1A		X	X			X			
WITH CNTL. STAT.	3.0	40118-330-53-1329-1A		X	X			X	X		
2113 180A (VAC)	3.5	40118-369-51-1372-1A		X	X			X			
WITH CNTL. STAT.	3.5	40118-369-53-1372-1A		X	X			X	X		
2113 320A (VAC)	3.5	40118-369-51-1373-1A		X	X			X			
WITH CNTL. STAT.	3.5	40118-369-53-1373-1A		X	X			X	X		
2113 320A (VAC)	4.0	40118-440-51-1429-1A		X	X			X			
WITH CNTL. STAT.	4.0	40118-440-53-1429-1A		X	X			X	X		
2113 400A (VAC)	6.0	40118-627-51-1698-1AB		X	X			X		X	
WITH CNTL. STAT.	6.0	40118-627-53-1698-1AB		X	X			X	X	X	
(2) CNTL. STAT.	6.0	40118-627-53-1698-1ABC		X	X		2	X		X	
2122E SIZE 1-2	2.0	40118-233-51-1211-1A		X	X			2			
WITH CNTL. STAT.	2.0	40118-233-53-1211-1A		X	X			X	2		
(2) CNTL. STAT.	2.0	40118-233-53-1211-1AB		X	X			2	2		
2122E SIZE 3	3.0	40118-330-51-1335-1A		X	X			2			
WITH CNTL. STAT.	3.0	40118-330-53-1335-1A		X	X			X	2		
(2) CNTL. STAT.	3.0	40118-330-53-1335-1AC		X	X			2	2		
2122E SIZE 4	4.5	40118-456-51-1456-1C		X	X			2			
WITH CNTL. STAT.	4.5	40118-456-53-1456-1C		X	X			X	2		
(2) CNTL. STAT.	4.5	40118-456-53-1456-1BC		X	X			2	2		
2122E SIZE 5	6.0	40118-627-51-1669-1AC		X	X			2		X	
WITH CNTL. STAT.	6.0	40118-627-53-1669-1AC		X	X			X	2	X	
(2) CNTL. STAT.	6.0	40118-627-53-1669-1ACD		X	X			2	2	X	
2122F SIZE 1-2	2.0	40118-233-51-1211-1A		X	X			2			
WITH CNTL. STAT.	2.0	40118-233-53-1211-1A		X	X			X	2		
(2) CNTL. STAT.	2.0	40118-233-53-1211-1AB		X	X			2	2		
2122F SIZE 3	4.0	40118-429-51-1424-1A		X	X			2			
WITH CNTL. STAT.	4.0	40118-429-53-1424-1A		X	X			X	2		
(2) CNTL. STAT.	4.0	40118-429-53-1424-1AB		X	X			2	2		
2122F SIZE 4	4.5	40118-456-51-1457-1C		X	X			2			
WITH CNTL. STAT.	4.5	40118-456-51-1457-1C		X	X			X	2		
(2) CNTL. STAT.	4.5	40118-456-51-1457-1BC		X	X			2	2		
2122F SIZE 5	6.0	40118-657-51-1670-1BD		X	X			2			X
WITH CNTL. STAT.	6.0	40118-657-53-1670-1BD		X	X			X	2		X
(2) CNTL. STAT.	6.0	40118-657-53-1670-1BCD		X	X			2	2		X
2123E SIZE 1-2	2.0	40118-233-51-1211-1A		X	X			2			
WITH CNTL. STAT.	2.0	40118-233-53-1211-1A		X	X			X	2		
(2) CNTL. STAT.	2.0	40118-233-53-1211-1AB		X	X			2	2		
2123E SIZE 3	3.0	40118-330-51-1315-1A		X	X			2			
WITH CNTL. STAT.	3.0	40118-330-53-1315-1A		X	X			X	2		
(2) CNTL. STAT.	3.0	40118-330-53-1315-1AB		X	X			2	2		

## DOORS FOR BULLETIN 2100 UNITS

"BLK" - BLANK, "NPH" - NAMEPLATE MOUNTING HOLES, "HND" - HANDLE CUTOUT  
 "EXL" - EXTRA LATCH, "CNT" - CONTROL STATION CUTOUT, "RST" - RESET BUTTON  
 "SFE" -.5 S.F. EXTRA, "20W" - 20" WIDE, "25W" - 25" WIDE, "35W" - 35" WIDE

CATALOG NUMBER	S.F.	PART NUMBER	B L K	N P H	H N D	E X L	C N T	R S T	S F E	2 0 W	2 5 W	3 5 W
2123E SIZE 4	4.5	40118-458-51-1466-1A		X	X			2				
WITH CNTL. STAT.	4.5	40118-458-53-1466-1A		X	X		X	2				
(2) CNTL. STAT.	4.5	40118-458-53-1466-1AB		X	X		2	2				
THERMAL BREAKER	4.5	40118-456-51-1456-1A		X	X			2				
WITH CNTL. STAT.	4.5	40118-456-53-1456-1A		X	X		X	2				
(2) CNTL. STAT.	4.5	40118-456-53-1456-1AB		X	X		2	2				
2123E SIZE 5	6.0	40118-627-51-1699-1BC		X	X			2		X		
WITH CNTL. STAT.	6.0	40118-627-53-1699-1BC		X	X		X	2		X		
(2) CNTL. STAT.	6.0	40118-627-53-1699-1BCD		X	X		2	2		X		
2123F SIZE 1-2	2.0	40118-233-51-1211-1A		X	X			2				
WITH CNTL. STAT.	2.0	40118-233-53-1211-1A		X	X		X	2				
(2) CNTL. STAT.	2.0	40118-233-53-1211-1AB		X	X		2	2				
2123F SIZE 3	3.5	40118-361-51-1360-1A		X	X			2				
WITH CNTL. STAT.	3.5	40118-361-53-1360-1A		X	X		X	2				
(2) CNTL. STAT.	3.5	40118-361-53-1360-1AB		X	X		2	2				
2123F SIZE 4	4.5	40118-458-51-1465-1A		X	X			2				
WITH CNTL. STAT.	4.5	40118-458-53-1465-1A		X	X		X	2				
(2) CNTL. STAT.	4.5	40118-458-53-1465-1AB		X	X		2	2				
THERMAL BREAKER	4.5	40118-456-51-1457-1A		X	X			2				
WITH CNTL. STAT.	4.5	40118-456-53-1457-1A		X	X		X	2				
(2) CNTL. STAT.	4.5	40118-456-53-1457-1AB		X	X		2	2				
2123F SIZE 5	6.0	40118-657-51-1670-1AB		X	X			2			X	
WITH CNTL. STAT.	6.0	40118-657-53-1670-1AB		X	X		X	2			X	
(2) CNTL. STAT.	6.0	40118-657-53-1670-1ABC		X	X		2	2			X	
2172 SIZE 2	4.0	40118-429-51-1413-1A		X	X			X				
WITH CNTL. STAT.	4.0	40118-429-53-1413-1A		X	X		X	X				
(2) CNTL. STAT.	4.0	40118-429-53-1413-1AC		X	X		2	X				
2172 SIZE 3	4.5	40118-458-51-1468-1A		X	X			X				
WITH CNTL. STAT.	4.5	40118-458-53-1468-1A		X	X		X	X				
(2) CNTL. STAT.	4.5	40118-458-53-1468-1AB		X	X		2	X				
2172 SIZE 4	6.0	40118-627-51-1614-1AB		X	X			X		X		
WITH CNTL. STAT.	6.0	40118-627-53-1614-1AB		X	X		X	X		X		
(2) CNTL. STAT.	6.0	40118-627-53-1614-1ABC		X	X		2	X		X		
2172 SIZE 5	6.0	40118-657-51-1673-1BD		X	X			X			X	
WITH CNTL. STAT.	6.0	40118-657-53-1673-1BD		X	X		X	X			X	
(2) CNTL. STAT.	6.0	40118-657-53-1673-1BCD		X	X		2	X			X	
2172 SIZE 6	6.0	40118-752-51-1760-1ABC		X	X			X				X
WITH CNTL. STAT.	6.0	40118-752-51-1760-1ABCD		X	X		X	X				X
2173 SIZE 2	3.5	40118-361-51-1362-1A		X	X			X				
WITH CNTL. STAT.	3.5	40118-361-53-1362-1A		X	X		X	X				
(2) CNTL. STAT.	3.5	40118-361-53-1362-1AB		X	X		2	X				
2173 SIZE 3	4.5	40118-458-51-1459-1A		X	X			X				
WITH CNTL. STAT.	4.5	40118-458-53-1459-1A		X	X		X	X				
(2) CNTL. STAT.	4.5	40118-458-53-1459-1AC		X	X		2	X				
2173 SIZE 4	6.0	40118-627-51-1614-1AB		X	X			X		X		
WITH CNTL. STAT.	6.0	40118-627-53-1614-1AB		X	X		X	X		X		
(2) CNTL. STAT.	6.0	40118-627-53-1614-1ABC		X	X		2	X		X		



## DOORS FOR BULLETIN 2100 UNITS

"BLK" - BLANK, "NPH" - NAMEPLATE MOUNTING HOLES, "HND" - HANDLE CUTOUT  
 "EXL" - EXTRA LATCH, "CNT" - CONTROL STATION CUTOUT, "RST" - RESET BUTTON  
 "AMP" - AMMETER CUTOUT, "VLT" - VOLT METER CUTOUT, "WTT" - WATTHOUR CUTOUT  
 "DIG" - D.M.S.CUTOUT, "SWT" - 'BLUE LINE' SWITCH CUTOUT, "20W" - 20" WIDE  
 "SFE" - .5 SPACE FACTOR ABOVE STANDARD, "25W" - 25" WIDE, 35W" - 35" WIDE

CATALOG NUMBER	S.F.	PART NUMBER	B L K	N P H	H N D	E X L	C N T	R S T	S F E	2 0 W	2 5 W	3 5 W
2173 SIZE 5	6.0	40118-657-51-1672-1AB		X	X			X			X	
WITH CNTL. STAT.	6.0	40118-657-53-1672-1AB		X	X		X	X			X	
(2) CNTL. STAT.	6.0	40118-657-53-1672-1ABC		X	X		2	X			X	
2173 SIZE 6	6.0	40118-753-51-1758-1AB		X	X			X				X
WITH CNTL. STAT.	6.0	40118-753-53-1758-1AB		X	X		X	X				X
(2) CNTL. STAT.	6.0	40118-753-53-1758-1ABC		X	X		2	X				X
CATALOG NUMBER	S.F.	PART NUMBER	B L K	N P H	H N D	C N T	R S T	A M P	V L T	W T T	D I G	S W T
2190 METER UNIT	0.5	40118-051-51-1050-1F		X				X				
	0.5	40118-051-51-1050-1M		X				X			X	
	1.0	40118-124-51-1108-1C		X				X				
	1.0	40118-124-51-1110-1A		X				X			X	
	1.0	40118-126-51-1106-1C		X	X			X	X			X
	1.0	40118-126-51-1106-1B		X	X						X	
	2.0	40118-233-51-1219-1C		X	X			X	X	X		X
2192F 30-60 AMP	1.0	40118-126-51-1XXX		X	X							
WITH CNTL. STAT.	1.0	40118-126-53-1XXX		X	X	X						
DUAL UNIT	1.0	40118-127-51-1XXX		2	2							
2192F 100 AMP	1.5	40118-161-51-1XXX		X	X							
WITH CNTL. STAT.	1.5	40118-161-53-1XXX		X	X	X						
DUAL UNIT	1.5	40118-166-51-1XXX		2	2							
2192F 200 AMP	2.0	40118-236-51-1XXX		X	X							
WITH CNTL. STAT.	2.0	40118-236-53-1XXX		X	X	X						
2192F 400 AMP	2.5	40118-273-51-1XXX		X	X							
WITH CNTL. STAT.	2.5	40118-273-53-1XXX		X	X	X						
2192M CONTACT MILWAUKEE FOR DOOR PART NUMBERS												
2193F 150 AMP	1.0	40118-126-51-1XXX		X	X							
WITH CNTL. STAT.	1.0	40118-126-53-1XXX		X	X	X						
DUAL UNIT	1.0	40118-127-51-1XXX		2	2							
WITH LIMITERS	1.5	40118-161-51-1XXX		X	X							
W/LIMITER, CNTL. STAT	1.5	40118-161-53-1XXX		X	X	X						
DUAL W/LIMITERS	1.5	40118-166-51-1XXX		2	2							
2193F 225 AMP	1.5	40118-162-51-1XXX		X	X							
WITH CNTL. STAT.	1.5	40118-162-53-1XXX		X	X	X						
2193F 400 AMP	2.0	40118-239-51-1XXX		X	X							
WITH CNTL. STAT.	2.0	40118-239-53-1XXX		X	X	X						
2193F 600 AMP	2.0	40118-246-51-1XXX		X	X							
WITH CNTL. STAT.	2.0	40118-246-53-1XXX		X	X	X						
2193F 800 AMP	2.5	40118-263-51-1XXX		X	X							
WITH CNTL. STAT.	2.5	40118-263-53-1XXX		X	X	X						
2193F 1200 AMP	3.0	40118-333-51-1XXX		X	X							
WITH CNTL. STAT.	3.0	40118-333-53-1XXX		X	X	X						
2193M CONTACT MILWAUKEE FOR DOOR PART NUMBERS												

## DOORS FOR BULLETIN 2100 UNITS

"BLK" - BLANK, "NPH" - NAMEPLATE MOUNTING HOLES, "HND" - HANDLE CUTOUT  
 "EXL" - EXTRA LATCH, "CNT" - CONTROL STATION CUTOUT, "RST" - RESET BUTTON  
 "VNT" - VENT HOLES - (NO FILTER), "FTL" - VENT HOLES - (WITH FILTER)  
 "SPH" - SINGLE PHASE TRANSFORMER, "TPH" - THREE PHASE TRANSFORMER

CATALOG NUMBER	S.F.	PART NUMBER	B L K	N P H	H N D	E X L	C N T	R S T	V N T	F L T	S P H	T P H
2193LE	2.0	40118-232-51-4XXX	X	X								
	2.5	40118-259-51-2256-1J	X	X		X						
	3.0	40118-329-51-2300-1J	X	X		X						
	3.5	40118-360-51-2350-1J	X	X		X						
	4.0	40118-428-51-2400-1J	X	X		X						
2195 .5-.75 KVA	1.0	40118-124-51-1XXX	X	X							X	
2195 1 KVA	1.5	40118-165-51-1XXX	X	X							X	
2195 1.5-2 KVA	2.0	40118-232-51-1XXX	X	X							X	
2195 3-10 KVA	1.5	40118-167-51-1XXX		X					X		X	
WITH FILTER	1.5	40118-167-53-1XXX		X						X	X	
2195 15-50 KVA	2.0	40118-241-55-1XXX		X					X		X	
WITH FILTER	2.0	40118-241-51-1XXX		X						X	X	
ALL 2196'S AND 2197'S UNIT USE THE SAME DOORS												
2196 .5-.75 KVA	1.0	40118-126-51-1XXX	X	X	X							X
WITH CNTL. STAT.	1.0	40118-126-53-1XXX		X	X		X					X
2196 1 KVA	1.5	40118-161-51-1XXX	X	X	X							X
WITH CNTL. STAT.	1.5	40118-161-53-1XXX	X	X	X		X					X
2196 1.5-2 KVA	2.0	40118-233-51-1XXX	X	X	X							X
WITH CNTL. STAT.	2.0	40118-233-53-1XXX	X	X			X					X
THE FOLLOWING 2196 UNITS CONSIST OF 2 (A 'UNIT' AND A 'XFMR.')												
UNIT 3-30 KVA	1.0	40118-126-51-1XXX		X	X							X
WITH CNTL. STAT.	1.0	40118-126-53-1XXX		X	X		X					X
XFMR. 3-10 KVA	1.5	40118-167-51-1XXX		X					X			X
WITH FILTER	2.0	40118-167-53-1XXX		X					X	X		X
XFMR.15-30 KVA	2.0	40118-241-55-1XXX		X					X			X
WITH FILTER	2.0	40118-241-51-1XXX		X					X	X		X

## DOORS FOR BUL: 2400 UNITS

"BLK" - BLANK, "NPH" - NAMEPLATE MOUNTING HOLES, "HND" - HANDLE CUTOUT  
 "EXL" - EXTRA LATCH, "CNT" - CONTROL STATION CUTOUT, "RST" - RESET BUTTON  
 "VER" - HANDLE CUTOUT (VERTICAL), "HOR" - HANDLE CUTOUT (HORIZONTAL)

CATALOG NUMBER	AMPS	S.F.	PART NUMBER	B L K	N P H	H N D	E X L	C N T	R S T	V E R	H O R
2402	30	0.5	40118-126-51-1XXX		X	X					X
WITH CNTL.STAT.	30	0.5	40118-126-53-1XXX		X	X		X			X
2402	30	1.0	40118-126-51-1XXX		X	X					X
WITH CNTL.STAT.	30	1.0	40118-126-53-1XXX		X	X		X			X
2402	60	1.0	40118-126-51-1XXX		X	X					X
WITH CNTL.STAT.	60	1.0	40118-126-53-1XXX		X	X		X			X
2403	30	0.5	40118-054-51-1XXX		X	X					X
WITH CNTL.STAT.	30	0.5	40118-054-53-1XXX		X	X		X			X
2403	30	1.0	40118-126-51-1XXX		X	X					X
WITH CNTL.STAT.	30	1.0	40118-126-53-1XXX		X	X		X			X
2403	60	1.0	40118-126-51-1XXX		X	X					X
WITH CNTL.STAT.	60	1.0	40118-126-53-1XXX		X	X		X			X
2406	18-24	0.5	40118-054-51-1052-1A		X	X			X		X
WITH CNTL.STAT.	18-24	0.5	40118-054-53-1052-1A		X	X		X	X		X
2406	18-24	1.0	40118-126-51-1113-1A		X	X			X		X
WITH CNTL.STAT.	18-24	1.0	40118-126-53-1113-1A		X	X		X	X		X
2406	18-24	1.5	40118-161-51-1173-1A		X	X			X		X
WITH CNTL.STAT.	18-24	1.5	40118-161-53-1173-1A		X	X		X	X		X
2406	30	1.0	40118-126-51-1116-1A		X	X			X	X	
WITH CNTL.STAT.	30	1.0	40118-126-53-1116-1A		X	X		X	X	X	
2406	30	1.5	40118-161-51-1176-1A		X	X			X	X	
WITH CNTL.STAT.	30	1.5	40118-161-53-1176-1A		X	X		X	X	X	
2406	38-45	1.5	40118-161-51-1178-1A		X	X			X	X	
WITH CNTL.STAT.	38-45	1.5	40118-161-53-1178-1A		X	X		X	X	X	
2406	60-75	2.0	40118-233-51-1230-1A		X	X			X	X	
WITH CNTL.STAT.	60-75	2.0	40118-233-53-1230-1A		X	X		X	X	X	
(2) CNTL.STAT.	60-75	2.0	40118-233-53-1230-1AB		X	X		2	X	X	
2407	18-24	0.5	40118-054-51-1052-1A		X	X			X		X
WITH CNTL.STAT.	18-24	0.5	40118-054-53-1052-1A		X	X		X	X		X
2407	18-24	1.0	40118-126-51-1113-1A		X	X			X	X	
WITH CNTL.STAT.	18-24	1.0	40118-126-53-1113-1A		X	X		X	X	X	
2407	18-24	1.5	40118-161-51-1173-1A		X	X			X	X	
WITH CNTL.STAT.	18-24	1.5	40118-161-53-1173-1A		X	X		X	X	X	
2407	30	1.0	40118-126-51-1116-1A		X	X			X	X	
WITH CNTL.STAT.	30	1.0	40118-126-53-1116-1A		X	X		X	X	X	
2407	30	1.5	40118-161-51-1176-1A		X	X			X	X	
WITH CNTL.STAT.	30	1.5	40118-161-53-1176-1A		X	X		X	X	X	
2407	38-45	1.0	40118-126-51-1118-1A		X	X			X	X	
WITH CNTL.STAT.	38-45	1.0	40118-126-53-1118-1A		X	X		X	X	X	
2407	38-45	1.5	40118-161-51-1179-1A		X	X			X	X	
WITH CNTL.STAT.	38-45	1.5	40118-161-53-1179-1A		X	X		X	X	X	
2407	60-75	1.5	40118-161-51-1182-1A		X	X			X	X	
WITH CNTL.STAT.	60-75	1.5	40118-161-53-1182-1A		X	X		X	X	X	
2407	60-75	2.0	40118-233-51-1230-1A		X	X			X	X	
WITH CNTL.STAT.	60-75	2.0	40118-233-53-1230-1A		X	X		X	X	X	
(2) CNTL.STAT.	60-75	2.0	40118-233-53-1230-1AB		X	X		2	X	X	

## DOORS FOR BUL: 2400 UNITS

"BLK" - BLANK, "NPH" - NAMEPLATE MOUNTING HOLES, "HND" - HANDLE CUTOUT  
 "EXL" - EXTRA LATCH, "CNT" - CONTROL STATION CUTOUT, "RST" - RESET BUTTON  
 "VER" - HANDLE CUTOUT (VERTICAL), "HOR" - HANDLE CUTOUT (HORIZONTAL)

CATALOG NUMBER	AMPS	S.F.	PART NUMBER	B L K	N P H	H D	E X L	C N T	R S T	V E R	H O R
2412	18-24	0.5	40118-054-51-1052-1A		X	X			X		X
WITH CNTL.STAT.	18-24	0.5	40118-054-53-1052-1A		X	X		X	X		X
2412	18-24	1.0	40118-126-51-1113-1A		X	X			X	X	
WITH CNTL.STAT.	18-24	1.0	40118-126-53-1113-1A		X	X		X	X	X	
2412	30	1.0	40118-126-51-1116-1A		X	X			X	X	
WITH CNTL.STAT.	30	1.0	40118-126-53-1116-1A		X	X		X	X	X	
2412	38-45	1.0	40118-126-51-1119-1A		X	X			X	X	
WITH CNTL.STAT.	38-45	1.0	40118-126-53-1119-1A		X	X		X	X	X	
2412	60-75	1.5	40118-161-51-1183-1A		X	X			X	X	
WITH CNTL.STAT.	60-75	1.5	40118-161-53-1183-1A		X	X		X	X	X	
2413	18-24	0.5	40118-054-51-1052-1A		X	X			X		X
WITH CNTL.STAT.	18-24	0.5	40118-054-53-1052-1A		X	X		X	X		X
2413	18-24	1.0	40118-126-51-1113-1A		X	X			X	X	
WITH CNTL.STAT.	18-24	1.0	40118-126-53-1113-1A		X	X		X	X	X	
2413	30	1.0	40118-126-51-1116-1A		X	X			X	X	
WITH CNTL.STAT.	30	1.0	40118-126-53-1116-1A		X	X		X	X	X	
2413	38-45	1.0	40118-126-51-1119-1A		X	X			X	X	
WITH CNTL.STAT.	38-45	1.0	40118-126-53-1119-1A		X	X		X	X	X	
2413	60-75	1.5	40118-161-51-1183-1A		X	X			X	X	
WITH CNTL.STAT.	60-75	1.5	40118-161-53-1183-1A		X	X		X	X	X	
2492F	30	0.5	40118-054-51-1XXX		X	X					X
2493F	ALL	0.5	40118-054-51-1XXX		X	X					X

## MISCELLANEOUS PLEXI-GLASS WINDOWS

PART NUMBER	WIDTH	HEIGHT	THICKNESS	MATERIAL	NOTES
40116-160-02	8.00	14.38	.125	CLEAR POLYCARBONATE	1
40116-160-03	9.50	7.00			
40116-160-06	7.88	24.00			
40116-160-08	6.81	10.25			
40116-160-10	8.00	12.00			
40116-160-11	6.00	11.00			
40116-160-13	13.62	19.87			
40116-160-15	3.00	10.50			
40116-160-16	5.00	10.50			
40116-160-21	6.50	5.50			
40116-160-25	6.25	6.00			
40116-485-01	18.84	12.38	.125	TINTED POLYCARBONATE	1
40116-485-02	22.75	12.38			
40116-485-03	6.50	5.00			

**NOTES:**

1. .50" WIDE BLACK FOAM DOUBLE SIDED ADHESIVE TAPE (T6063-235) 1.00" WIDE BLACK FOAM DOUBLE SIDED ADHESIVE TAPE (T6063-408)

## MISCELLANEOUS DOOR PARTS

PART NUMBER	DESCRIPTION
M-5934	NAMEPLATE MTG. SCREW (STEEL, STD.)(TORQUE: 6-8 LB-IN)
28175-906-01	NAMEPLATE MTG. SCREW (STAINLESS STEEL, SPECIAL)
40113-341-01	12" X 12" INSULATION FOR INSIDE DOOR (TAPE T6063-408)
F-26892	7.5"X 3.4"INSULATION FOR INSIDE DOOR (SELF ADHESIVE)
T6063-408	DOUBLE SIDE TAPE (TO MOUNT 40113-341-01)(4 FT. REQ.)
40120-859-03	HINGE AND HINGE PIN ASSEMBLY 1 S.F. TO 6 S.F. DOORS
40120-859-04	HINGE AND HINGE PIN ASSEMBLY .5 S.F. DOOR
40116-018-02	HINGE FOR 1/2 S.F TO 6 S.F. DOORS (REQ. (1) M-8769)
M-8769	HINGE MTG.SCREW (1/4-20 X 1/2") (TORQUE TO 65 LB-IN)
40116-019-02	HINGE PIN FOR 1 TO 6 S.F. DOORS
40116-019-04	HINGE PIN FOR 1/2 DOOR
40119-856-01	KIT, (2)HINGE PINS, CARDHOLDER, PUSH RIVET
40119-856-02	KIT, (3)HINGE PINS, CARDHOLDER, PUSH RIVET
40119-856-03	KIT, (4)HINGE PINS, CARDHOLDER, PUSH RIVET
40119-856-04	KIT, (2)HINGE PINS,(2)CARDHOLDERS, PUSH RIVET
40119-856-05	KIT, (2)HINGE PINS,CARDHOLDERS,PUSH RIVET,FOR .5 S.F.
40119-167-02	DOOR INTERLOCK(INTERLOCK DOOR TO DOOR ABOVE OR BELOW)
28390-105-25	PUSH NUT FOR MULTI-TURN LATCH (40120-008-02)
40129-403-01	MULTI-TURN LATCH ANGLE (2112 SIZE 5, 5 S.F) (NOTE: 1)
28435-001-01	PUSH RIVET FOR HOLDING UNIT SUPPORT PAN TO WIREWAY
40120-806-02	1/4 TURN DOOR LATCH ASSEMBLY (TORQUE TO 40 LB-IN)
40120-806-05	1/4 TURN DOOR LATCH ASSEMBLY WITH "T" HANDLE
40120-425-01	"T" HANDLE (LESS LATCH BRACKET AND MOUNTING HARDWARE)

## FANS, FAN GUARDS AND FILTERS FOR DRIVE AND XFMR. DOORS

PART NUMBER	DESCRIPTION	NOTES
22610-102-01	5" FAN (NOTE: 2)	4.69" SQUARE, 115V, 115 CFM, 3100 RPM
22610-108-03	3" FAN (NOTE: 3)	3.14" SQUARE, 115V, 20 CFM, 1900 RPM
22680-002-01	MOUNTING CLIP	CLIP FOR MOUNTING 22610-102-01 FAN
22680-004-01	6" FAN GUARD	FRONT/REAR GUARD FOR 22610-113-01 FAN
22680-006-01	5" FAN GUARD	FRONT/REAR GUARD FOR 22610-102-01 FAN
22680-009-01	3" FAN GUARD	FRONT/REAR GUARD FOR 22610-108-03 FAN
22681-006-01	FAN FILTER	14" X 9" METAL FILTER
22681-006-02	FAN FILTER	9" X 7" METAL FILTER
22681-006-02	FAN FILTER	8.25" X 30" METAL FILTER
26206-003-01	48" FAN CORD	FOR 3", 5" & 6" FANS

**NOTES:**

1. REQUIRES (2) 28220-921-03 10-32 X 1/2 "CARRIAGE BOLTS" AND (2) 10-32 NUTS TO MOUNT MULTI-TURN LATCH ANGLE.
2. 22610-102-01 (5" FAN) REQUIRES (4) 22680-002-01 (MOUNTING CLIPS), (4) M-1439 (#6-32 X 1"SCREW) TO MTG. AND (1) 26206-003-01 POWER CORD.
3. 22610-108-03 (3" FAN) REQUIRES (4) M-971 (#6-32 X .38 SCREWS), (4) M-990 (NUT) AND (8) M-2300 (LOCK WASHER) TO MOUNT FAN TO 40116-266-02 MOUNTING BRACKET AND (1) 26206-003-01 POWER CORD.

**REPLACEMENT OVERLOAD RELAYS FOR BULLETIN 2100 UNITS**

---

<b>BULLETIN 592 HAND RESET OVERLOAD RELAYS</b>				
<b>SIZE</b>	<b>INTEGRAL MOUNT (NOTE: 1)</b>		<b>PANEL MOUNT (NOTE: 2)</b>	
	<b>PART NUMBER</b>	<b>CATALOG NUMBER</b>	<b>PART NUMBER</b>	<b>CATALOG NUMBER</b>
<b>WITH N.O. AUXILIARY CONTACT</b>				
.5S.F.	-----	-----	40184-469-51	592-JOV16
1	42185-800-01	-----	40185-450-02	592-BOV16
2	40185-800-01	-----	40185-453-11	592-COV16
3	40185-801-01	-----	40185-456-14	592-DOV16
4	40185-802-01	-----	40185-457-14	592-EOV16
5	-----	-----	40185-467-05	-----
<b>WITH N.O./N.C. AUXILIARY CONTACT</b>				
1	40185-806-01	-----	-----	592-BOV169
2	40185-807-01	-----	-----	592-COV169
3	40185-808-01	-----	-----	592-DOV169
4	40185-809-01	-----	-----	592-EOV169
<b>REPLACEMENT N.O. AUX. SWITCH (NOTE: 3)</b>				
00	40185-315-51	595-A00	40185-315-51	595-A00
0T02	40185-454-01	595-A02	40185-454-01	595-A02
3&4	40185-455-01	595-A34	40185-455-01	595-A34
<b>OVERLOAD RELAY ASSEMBLY, INCLUDES 3 CURRENT XFMR'S</b>				
<b>AMP</b>	<b>PART NUMBER</b>	<b>CATALOG NUMBER</b>	<b>C.T. RATIO</b>	<b>RELAY ONLY</b>
60-184	40781-452-01	592-TPD200	200-5	40185-476-57
120-300	40782-452-01	592-TPD300	300-5	40185-476-57
160-496	40783-473-01	592-TPD400	400-5	40185-476-57
250-609	40783-453-01	592-TPD630	630-5	40185-476-57

**REPLACEMENT OVERLOAD RELAYS FOR BULLETIN 2400 UNITS**

---

<b>BULLETIN 193 HAND RESET OVERLOAD RELAYS (NOTE: 4)</b>					
<b>OVERLOAD RELAY CODE</b>	<b>CATALOG NUMBER</b>	<b>FULL LOAD CURRENT</b>	<b>OVERLOAD RELAY CODE</b>	<b>CATALOG NUMBER</b>	<b>FULL LOAD CURRENT</b>
7EA18	193-BSA18	.10-.16	7EA26	193-BSA26	.16-.24
7EA35	193-BSA35	.24-.40	7EA70	193-BSA70	.40-.60
7EA90	193-BSA90	.60-1.0	-----	-----	-----
7EB12	193-BSB12	.80-1.2	7EB16	193-BSB16	1.0-1.6
7EB22	193-BSB22	1.5-2.3	7EB30	193-BSB30	2.0-3.0
7EB42	193-BSB42	2.8-4.2	7EB60	193-BSB60	4.0-6.0
7EB80	193-BSB80	5.5-8.0	-----	-----	-----
7EC10	193-BSC10	6.0-10	7EC15	193-BSC15	10-16
7EC24	193-BSC24	16-24	7EC32	193-BSC32	22-32
7EC30	193-CPC30	28-30	7EC45	193-CPC45	30-45
7EC63	193-CPC63	45-60	7EC75	193-CPC75	60-75

**NOTES:**

1. INTEGRAL MOUNTED OVERLOADS MOUNT DIRECTLY TO BOTTOM OF STARTER.
2. PANEL MOUNTED OVERLOAD RELAYS ARE MOUNTED SEPARATE FROM STARTER.
3. PART NUMBER IS FOR AUX. ONLY (REQUIRES MTG. SCREW 28174-076-09)
4. RESET EXTENSION (40126-409-0?) IS USED ON BUL. 193 OVERLOADS.

## REPLACEMENT BULLETIN 193 OVERLOAD RELAYS

BULLETIN 193 HAND RESET OVERLOAD RELAY				
OVERLOAD RELAY CODE	CATALOG NUMBER	STARTER SIZE	FULL LOAD CURRENT	
			MINIMUM AMPS	MAXIMUM AMPS
7EA18	193-BSA18	18-30A	.10	.16
7EA26	193-BSA26		.16	.24
7EA35	193-BSA35		.24	.40
7EA70	193-BSA70		.40	.60
7EA90	193-BSA90		.60	1.0
7EB12	193-BSB12		.80	1.2
7EB22	193-BSB22		1.5	2.3
7EB30	193-BSB30		2.0	3.0
7EB42	193-BSB42		2.8	4.2
7EB60	193-BSB60		4.0	6.0
7EB80	193-BSB80		5.5	8.0
7EC10	193-BSC10		6.0	10
7EC15	193-BSC15		16	16
7EC24	193-BSC24		22	24
7EC32	193-BSC32	24-30A	18	32
7EC30	193-BSC30	38-75A	30	30
7EC45	193-CPC45		45	45
7EC63	193-BSC63	60-75A	60	60
7EC75	193-BSC75	75A	44	75
7EC66	193-HPC66	110A	66	66
7ED11	193-HPD110		60	110
7EC88	193-NX1	180A	80	88
7ED12	193-NX2		120	120
7ED20	193-NX3		120	200
7ED18	193-NX4	250-300A	120	180
7ED30	193-NX5		180	300

**NOTES:**

1. RESET EXTENSION PART NUMBER 40126-409-0? IS MOUNTED ON THE 193 OVERLOAD RELAYS IN THE BULLETIN 2400 BUCKETS.

**SMP'S FOR BULLETIN 2100 MCC'S**

SMP-1 REPLACEMENT OVERLOAD RELAYS								
STARTER UNIT SIZE	CLASS 10		CLASS 20		CLASS 30		FLC RANGE	
	OPTION	CATALOG NUMBER	OPTION	CATALOG NUMBER	OPTION	CATALOG NUMBER	MIN. AMPS	MAX. AMPS
1	7FA1B	592-A1BA	7FA2B	592-A2BA	7FA3B	592-A3BA	.19	.6
	7FA1C	592-A1CA	7FA2C	592-A2CA	7FA3C	592-A3CA	.32	1.0
	7FA1D	592-A1DA	7FA2D	592-A2DA	7FA3D	592-A3DA	1.0	2.9
	7FA1E	592-A1EA	7FA2E	592-A2EA	7FA3E	592-A3EA	1.6	5.0
	7FA1F	592-A1FA	7FA2F	592-A2FA	7FA3F	592-A3FA	3.7	12
	7FA1G	592-A1GA	7FA2G	592-A2GA	7FA3G	592-A3GA	5.7	18
	7FA1H	592-A1HA	7FA2H	592-A2HA	7FA3H	592-A3HA	12	38
2	7FA1G	592-A1GC	7FA2G	592-A2GC	7FA3G	592-A3GC	5.7	18
	7FA1H	592-A1HC	7FA2H	592-A2HC	7FA3H	592-A3HC	12	38
	7FA1J	592-A1JC	7FA2J	592-A2JC	7FA3J	592-A3JC	14	45
3	7FA1J	592-A1JD	7FA2J	592-A2JD	7FA3J	592-A3JD	14	45
	7FA1K	592-A1KD	7FA2K	592-A2KD	7FA3K	592-A3KD	23	75
	7FA1L	592-A1LD	7FA2L	592-A2LD	7FA3L	592-A3LD	66	110
4	7FA1K	592-A1KE	7FA2K	592-A2KE	7FA3K	592-A3KE	23	75
	7FA1L	592-A1LE	7FA2L	592-A2LE	7FA3L	592-A3LE	66	110
	7FA1M	592-A1ME	7FA2M	592-A2ME	7FA3M	592-A3ME	57	180
5	7FA1N	592-A1NF	7FA2N	592-A2NF	7FA3N	592-A3NF	96	300
6	7FA1R	592-A1RGD	7FA2R	592-A2RGD	7FA3R	592-A3RGD	200	630



**SMP'S FOR BULLETIN 2100 MCC'S**

<b>SMP-2 CLASS 10, 20, 30 REPLACEMENT OVERLOAD RELAYS</b>				
<b>STARTER UNIT SIZE</b>	<b>OPTION</b>	<b>CATALOG NUMBER</b>	<b>FLC RANGE</b>	
			<b>MINIMUM AMPS</b>	<b>MAXIMUM AMPS</b>
1	7FB1B	592-B1BA	.19	.6
	7FB1C	592-B1CA	.32	1.0
	7FB1D	592-B1DA	1.0	2.9
	7FB1E	592-B1EA	1.6	5.0
	7FB1F	592-B1FA	3.7	12
	7FB1G	592-B1GA	5.7	18
	7FB1H	592-B1HA	12	38
2	7FB1G	592-B1GC	5.7	18
	7FB1H	592-B1HC	12	38
	7FB1J	592-B1JC	14	45
3	7FB1J	592-B1JD	14	45
	7FB1K	592-B1KD	23	75
	7FB1L	592-B1LD	66	110
4	7FB1K	592-B1KE	23	75
	7FB1L	592-B1LE	66	110
	7FB1M	592-B1ME	57	180
5	7FB1N	592-B1NF	96	300
6	7FB1R	592-B1RGD	200	630

<b>SMP-3 REPLACEMENT OVERLOAD RELAYS (NOTE: 1)</b>				
<b>STARTER UNIT SIZE</b>	<b>OPTION</b>	<b>CATALOG NUMBER</b>	<b>FLC RANGE</b>	
			<b>MINIMUM AMPS</b>	<b>MAXIMUM AMPS</b>
1	7FC1B	592-C1BA	.19	.6
	7FC1C	592-C1CA	.32	1.0
	7FC1D	592-C1DA	1.0	2.9
	7FC1E	592-C1EA	1.6	5.0
	7FC1F	592-C1FA	3.7	12
	7FC1G	592-C1GA	5.7	18
	7FC1H	592-C1HA	12	38
2	7FC1G	592-C1GC	5.7	18
	7FC1H	592-C1HC	12	38
	7FC1J	592-C1JC	14	45
3	7FC1J	592-C1JD	14	45
	7FC1K	592-C1KD	23	75
	7FC1L	592-C1LD	66	110
4	7FC1K	592-C1KE	23	75
	7FC1L	592-C1LE	66	110
	7FC1M	592-C1ME	57	180
5	7FC1N	592-C1NF	96	300
6	7FC1R	592-C1RGD	200	630

**NOTES:**

1. SMP-3'S are not available on SC/PE program, Option number and Part numbers are for reference only.

**STANDARD DOOR MOUNTED OVERLOAD RESET BUTTONS**

BUL: NUMBER	NEMA SIZE	PART NUMBER	QTY	CATALOG NUMBER	MTG. HOLE	STROKE LENGTH	BUTTON SIZE	SHAFT LENGTH
2106	1	40120-501-01	1	NONE	.51	.546	1.3125	.593
	2							
	3	Z-20175	1	1493-N8	.765	.679	1.3125	2.312
	4	40120-524-01	1	1493-N3	.765	.679	1.67	1.3125
	5	40120-501-02	1	NONE	.51	.546	1.3125	.593
2107	1	40120-501-01	1	NONE	.51	.546	1.3125	.593
	2							
	3	Z-20175	1	1493-N8	.765	.679	1.3125	2.312
	4	40120-524-01	1	1493-N3	.765	.679	1.67	1.3125
	5	Z-20174	1	NONE	.765	.679	1.75	1.191
2112	.5S.F.	40129-415-01	1	NONE	.51	.546	N/A	3.5
	1	40120-501-01	1	NONE	.51	.546	1.3125	.593
	2							
	3	Z-20811	1	1493-N2	.765	.679	1.75	2.5*
	4	Z-20175	1	1493-N8	.765	.679	1.3125	2.312
5	Z-38332	1	NONE	.51	.546	1.3125	.412	
2113	.5S.F.	40129-415-01	1	NONE	.51	.546	N/A	3.5
2113	1	40120-501-01	1	NONE	.51	.546	1.3125	.593
DUAL	1							
2113	2							
DUAL	2							
2113	3							
2113	4	Z-20175	1	1493-N8	.765	.679	1.3125	2.312
2113	5	Z-38332	1	NONE	.51	.546	1.3125	.406
2122E	1	40120-501-01	2	NONE	.51	.546	1.3125	.593
	2							
	3	Z-20175	2	1493-N8	.765	.679	1.3125	2.312
	4	40120-524-01	2	1493-N3	.765	.679	1.67	1.3125
2122F	1	40120-501-01	2	NONE	.51	.546	1.3125	.593
	2							
	3	40120-524-02	2	1493-N2	.765	.679	1.3125	1.875
	4	40120-524-01	2	1493-N3	.765	.679	1.67	1.3125
2123E	1	40120-501-01	2	NONE	.51	.546	1.3125	.593
	2							
	3	Z-20175	2	1493-N8	.765	.679	1.3125	2.312
	4	40120-524-01	2	1493-N3	.765	.679	1.67	1.3125
2123F	1	40120-501-01	2	NONE	.51	.546	1.3125	.593
	2							
	3	Z-20175	2	1493-N8	.765	.679	1.3125	2.312
	4	40120-524-01	2	1493-N3	.765	.679	1.67	1.3125
2407	ALL	40120-501-01	1	NONE	.51	.546	1.3125	.593
2412								
2413								

\* ADJUSTABLE SHAFT, MINIMUM LENGTH FROM DOOR TO END OF BUTTON IS SHOWN

## DOOR MOUNTED PILOT DEVICES

PART NUMBER	DESCRIPTION	OPTION	CAT. NUMBER
N/A	PILOT LIGHT (2400 .5 S.F.)	4(R/G)	800MB-P16
N/A	P-T-T PILOT LIGHT(2400 .5 SF)	5(R/G)	800MB-PT16
40167-112-01	RED LENS FOR "800MB" P.L.	R(4/5)	-----
40167-112-02	GREEN LENS FOR "800MB" P.L.	G(4/5)	-----
N/A	BULB, 6.3V (ANSI #86)	----	800M-N15
N/A	RED PILOT LIGHT	4R	800T-P16R
N/A	RED PILOT LIGHT LENS	----	800T-N26R
N/A	GREEN PILOT LIGHT	4G	800T-P16G
N/A	GREEN PILOT LIGHT LENS	----	800T-N26G
N/A	WHITE PILOT LIGHT	4W	800T-P16W
N/A	WHITE PILOT LIGHT LENS	----	800T-N26W
N/A	BLUE PILOT LIGHT	4B	800T-P16B
N/A	BLUE PILOT LIGHT LENS	----	800T-N26B
N/A	AMBER PILOT LIGHT	4A	800T-P16A
N/A	AMBER PILOT LIGHT LENS	----	800T-N26A
N/A	BULB, 6.3V (#755 OR #1866)	----	800T-N65
N/A	RED (LED) PILOT LIGHT	4LR	800T-PL16R
N/A	RED PILOT LIGHT LENS	----	800T-N26R
N/A	RED (LED) BULB	----	800T-N77R
N/A	GREEN(LED) PILOT LIGHT	4LG	800T-PL16G
N/A	GREEN PILOT LIGHT LENS	----	800T-N26G
N/A	GREEN (LED) BULB	----	800T-N77G
N/A	RED PUSH TO TEST LIGHT	5R	800T-PT16R
N/A	RED PUSH TO TEST LENS	----	800T-N40
N/A	GREEN PUSH TO TEST LIGHT	5G	800T-PT16G
N/A	GREEN PUSH TO TEST LENS	----	800T-N41
N/A	BULB, 6.3V (#755 OR #1866)	----	800T-N65
N/A	RED (SMALL) PILOT LIGHT	NOTE: 1	800T-PS16R
N/A	RED (SMALL) PILOT LENS	----	800T-N122R
N/A	GREEN (SMALL) PILOT LIGHT	NOTE: 1	800T-PS16G
N/A	GREEN (SMALL) PILOT LENS	----	800T-N122G
N/A	BULB, 6.3V (#755 OR #1866)	----	800T-N65
40269-453-01CAB6XUXX	2 POS.SEL.SW.,W/N.O. CONTACT	----	800T-H2D1
40269-453-01CAB6X1XX	2 POS.SEL.SW.,NO/NC CONTACT	3E	800T-H2A
40269-464-03	3 POS.SEL.SW.,NO/NC CONTACT	3	800T-J2A
40274-450-01AAXXXUXX	GREEN FLUSH HEAD P.B.(N.O.)	1	800T-A1D1
40274-450-01ABXXX1XX	BLACK FLUSH HEAD P.B.(2 N.O.)	----	800T-A2A
40274-450-01ABXXX5XX	BLACK FLUSH HEAD P.B. (NO/NC)	----	800T-A2A4
40274-450-02ANXXXVXX	RED EXTENDED HEAD P.B.(N.C)	1	800T-B6D2

**NOTES:**

1. TWO (2) SMALL '800T' PILOT LIGHTS WILL BE SUPPLIED WHEN (2) PILOT LIGHTS ARE SPECIFIED IN CONJUNCTION WITH PUSH BUTTONS.

## DOOR MOUNTED CONTROL STATION HOUSINGS

**NOTE:** FOR DUAL 2103/2113 REFERENCE PUBLICATION 2100-3.0

PART NUMBER	DESCRIPTION (NOTE: 1)
2100-N8	BLANK
2100-N9	FOR (1) STANDARD 800T PILOT DEVICE
2100-N10	FOR (2) STANDARD 800T PILOT DEVICES
2100-N11	FOR (3) STANDARD 800T PILOT DEVICES
40129-400-55	(2) STD. 800T AND (2) SMALL 800T-PS PILOT DEVICES
40129-400-87	ELAPSED TIME METER (PART NUMBER 22240-007-01)
40129-400-77	(1) STD. 800T AND ELAPSED TIME METER
40129-400-79	(2) STD. 800T AND ELAPSED TIME METER
40129-400-81	(1) STD. 800T, (2) SMALL 800T-PS AND ELAPSED TIME METER

## LEGEND PLATES FOR STANDARD 800T PILOT DEVICES

PART NUMBER	LEGEND	CAT. NBR.	PART NUMBER	LEGEND	CAT. NBR.
40011-079-04	CLOSE	800T-X502	40011-079-05	DOWN	800T-X503
40011-079-06	FAST	800T-X505	40011-079-07	FOR - REV	800T-X506
40011-079-08	FOR.OFF REV.	800T-X507	40011-079-09	FORWARD	800T-X508
40011-079-10	FOURTH SPEED	800T-X624	40011-079-11	FULL SPEED	800T-X509
40011-079-12	HAND AUTO	800T-X510	40011-079-13	HAND OFF AUTO	800T-X511
40011-079-14	HIGH	800T-X512	40011-079-15	HIGH LOW	800T-X513
40011-079-16	HIGH OFF LOW	800T-X514	40011-079-17	IN	800T-X515
40011-079-19	JOG	800T-X517	40011-079-20	JOG FORWARD	800T-X518
40011-079-21	JOG REVERSE	800T-X519	40011-079-26	LOW	800T-X524
40011-079-28	LOWER	800T-X526	40011-079-29	OFF	800T-X527
40011-079-32	ON	800T-X530	40011-079-33	OPEN	800T-X531
40011-079-34	OPEN CLOSE	800T-X532	40011-079-36	OUT	800T-X534
40011-079-38	RAISE	800T-X535	40011-079-41	RESET	800T-X538
40011-079-42	REVERSE	800T-X539	40011-079-43	RUN	800T-X540
40011-079-48	SLOW	800T-X544	40011-079-49	SLOW FAST	800T-X545
40011-080-02	START	800T-X547	40011-080-08	TEST	800T-X554
40011-080-10	UP	800T-X556	40011-080-19	ON OFF	800T-X622
40011-080-20	POWER ON	800T-X639	40011-080-22	MOTOR RUNNING	-----
40011-080-35	LOCAL REMOTE	800T-X638	40011-080-37	FAST OFF SLOW	-----
40011-080-38	EMERGENCY	-----	40011-080-39	NORMAL	-----
40011-081-02	EMERG. STOP	800T-X504	40011-081-03	STOP	800T-X550
40011-081-05	MASTER STOP	-----			

## LEGEND PLATES FOR SMALL 800T-PS PILOT DEVICES

PART NUMBER	LEGEND	CAT. NBR.	PART NUMBER	LEGEND	CAT. NBR.
40011-120-02	ON	-----	40011-120-03	OFF	-----
40011-120-04	RUN	-----	40011-120-05	HIGH	-----
40011-120-06	FORWARD	-----	40011-120-07	REVERSE	-----
40011-120-08	LOW	-----	40011-120-09	FAST	-----
40011-120-10	SLOW	-----			

**NOTES:**

- CONTROL STATION HOUSING IS CONNECTED TO THE DOOR BY (2) 8-32 SCREWS (40119-168-02) AND (2) 8-32 U-NUTS (28390-008-11) TORQUE TO 20 LB-IN.

## LABELS AND NAMEPLATES

PART NUMBER	SIZE/MATERIAL	INFORMATION
40006-369-01	1.0" X 1.88" VINYL/MYLAR RED BACKGROUND WHITE LETTERS	PANEL MAIN BREAKER THIS BREAKER IS REVERSE FED
40006-390-01	2.0" X 4.50" VINYL/MYLAR ADHESIVE BACK RED BACKGROUND WHITE LETTERS	W A R N I N G THIS MOTOR IS EQUIPPED WITH A MOTOR WINDING HEATER. VOLTAGE IS PRESENT AT MOTOR TERMINALS EVEN WHEN MOTOR STARTER IS OPEN. BEFORE SERVICING MOTOR OR MOTOR WIRING, ALWAYS DISC. MAIN POWER AHEAD OF MOTOR STARTER.
40119-821-51	CARD HOLDER	" BLANK "
41006-089-01	2.0" X 3.75" VINYL/MYLAR ADHESIVE BACK RED BACKGROUND WHITE LETTERS	A T T E N T I O N LIVE CAPACITOR UNIT DE-ENERGIZE STARTER UNIT(S) WAIT ONE MINUTE AND GROUND TERMINALS BEFORE SERVICING
41006-152-01	BLANK CARD	" BLANK CARD " FOR CARDHOLDER
41006-205-01	1.38" X 3.62" ADHESIVE BACK RED BACKGROUND WHITE LETTERS	INCOMING MAIN CABLES FROM REMOTE SUPPLY. DE-ENERGIZE SUPPLY BEFORE SERVICING PANEL.
41006-238-01	1.12" X 2.75" ADHESIVE BACK WHITE BACKGROUND BLACK LETTERS	THIS IS A MULTI-TURN LATCH, DISREGARD ARROW TORQUE TO 20 +/- 2 LB-IN
41006-344-01	1.12" X 3.62" ADHESIVE BACK RED BACKGROUND WHITE LETTERS	TRANSFORMER DE-ENERGIZE PRIMARY SUPPLY BEFORE SERVICING
41006-276-01	(TOP OF LABEL) RED BACKGROUND WHITE LETTERS 3.00" X 5.00" ADHESIVE BACK (BOTTOM OF LABEL) WHITE BACKGROUND BLACK LETTERS	! D A N G E R OUTGOING FEEDER CABLES DE-ENERGIZE POWER BEFORE SERVICING FAILURE TO DE-ENERGIZE POWER CAN RESULT IN SEVERE INJURY OR DEATH
41006-385-01	(TOP OF LABEL) RED BACKGROUND WHITE LETTERS 3.00" X 5.00" ADHESIVE BACK (BOTTOM OF LABEL) WHITE BACKGROUND BLACK LETTERS	! D A N G E R T I E S Y S T E M BOTH SIDES OF SWITCHING DEVICE ARE SUPPLIED FROM SEPARATE POWER SOURCES DE-ENERGIZE BOTH POWER SOURCES BEFORE SERVICING FAILURE TO DE-ENERGIZE POWER CAN RESULT IN SEVERE INJURY OR DEATH

## LABELS AND NAMEPLATES

PART NUMBER	SIZE/MATERIAL	INFORMATION
42006-110-01	(TOP OF LABEL) RED BACKGROUND WHITE LETTERS 3.00" X 5.00" ADHESIVE BACK (BOTTOM OF LABEL) WHITE BACKGROUND BLACK LETTERS	! D A N G E R NEVER OPERATE THIS DEVICE WITH DOOR OPEN OPERATION WITH DOOR OPEN DEFEATS SAFETY INTERLOCK AND COULD CONNECT SEPARATE POWER SOURCES TOGETHER OPERATION OF THIS DEVICE WITH DOOR OPEN CAN RESULT IN SEVERE INJURY OR DEATH
42006-276-01	1.5" X 3 " ADHESIVE BACK RED BACK/WHT LTTR	W A R N I N G THIS COVER MUST BE IN PLACE WHEN OPERATING DISCONNECT
42006-342-01	2.00" X 1.00" PAPER ADHESIVE BACK WHITE BACKGROUND BLACK LETTERS SURFACE PRINT	WIRING DIAGRAMS AND ELEMENT LIST LOCATED BEHIND MARKED HORIZONTAL WIREWAY COVER. FOR THIS UNIT REFER TO WIRING DIAGRAM: _____ AND ELEMENT LIST: _____
42006-343-01	2.50" X 1.50" ADHESIVE BACK WHT BACK/BLK LTTR	UNIT WIRING DIAGRAMS AND ELEMENT LISTS LOCATED BEHIND THIS HORIZONTAL WIREWAY COVER
42006-388-01	1.25" X 2.00" VINYL/MYLAR ADHESIVE BACK RED BACKGROUND WHITE LETTERS	W A R N I N G THIS UNIT CAN BE SUPPLIED BY MORE THEN ONE POWER SOURCE. DE-ENERGIZE ALL SUPPLIES BEFORE SERVICING.
43006-225-01	.75"X2" ADHESIVE WHT BACK/BLK LTTR	BLOWN FUSE INDICATORS FOR CAPACITOR (S)
44006-021-01	(TOP OF LABEL) RED BACKGROUND WHITE LETTERS 3.00" X 5.00" ADHESIVE BACK (BOTTOM OF LABEL) WHITE BACKGROUND BLACK LETTERS	! D A N G E R EQUIPMENT BEHIND THIS BARRIER HAS REMOTE POWER SOURCE(S) DE-ENERGIZE POWER BEFORE SERVICING FAILURE TO DE-ENERGIZE POWER CAN RESULT IN SEVERE INJURY OR DEATH THIS BARRIER MUST BE IN PLACE BEFORE ENERGIZING
44006-022-01	(TOP OF LABEL) RED BACKGROUND WHITE LETTERS 3.00" X 5.00" ADHESIVE BACK (BOTTOM OF LABEL) WHITE BACKGROUND BLACK LETTERS	! D A N G E R LINE SIDE POWER CONNECTED TO BOTTOM OF SWITCH DE-ENERGIZE POWER BEFORE SERVICING FAILURE TO DE-ENERGIZE POWER CAN RESULT IN SEVERE INJURY OR DEATH
44006-023-01	(TOP OF LABEL) RED BACKGROUND WHITE LETTERS 3.00" X 5.00" ADHESIVE BACK (BOTTOM OF LABEL) WHITE BACKGROUND BLACK LETTERS	! D A N G E R LINE SIDE POWER CONNECTED TO BOTTOM OF SWITCH DE-ENERGIZE POWER BEFORE SERVICING FAILURE TO DE-ENERGIZE POWER CAN RESULT IN SEVERE INJURY OR DEATH

**STARTER, HANDLE AND STAB ASSEMBLIES FOR BUL: 2100 UNITS**

BUL: NUMBER	SIZE	STARTER (NOTE :1)	NOTE 2	HANDLE (NOTE: 3)	STAB (NOTE: 4)
2100	N10-40	NONE	NONE	NONE	(NOTE :5)
2102L	30A	40411-469-01-1236	500FL-BOD93	40116-438-01	40120-410-38
	60A	40421-510-04-R236	500FL-COD93	40116-438-01	40120-410-09
	100A	40431-468-01-R236	500FL-DOD93	40116-438-18	40120-410-32
	200A	40441-456-02-R236	500FL-EOD93	40126-417-01	40120-410-36
	300A	42451-450-08-1236	500FL-FOD93	40126-416-02	40120-410-54
2103L	30A	40411-469-01-1236	500FL-BOD93	40116-438-02	40120-410-38
DUAL	NOTE:7	40411-469-01-1236	500FL-BOD93	40116-438-04	40120-410-30
2103L	60A	40421-510-04-R236	500FL-COD93	40116-438-02	40120-410-09
DUAL	60A	40421-510-04-R236	500FL-COD93	(NOTE: 8)	40120-410-40
2103L	100A	40431-468-01-R236	500FL-DOD93	40116-438-02	40120-410-03
2103L	200A	40441-456-02-R236	500FL-EOD93	NOTE: 9	NOTE: 9
2103L	300A	42451-450-02-1236	500FL-FOD93	40126-832-05	NOTE: 6
2106	1	40414-473-07-1236	505-BOD	40116-438-01	40120-410-38
	2	40424-480-06-1236	505-COD	40116-438-01	40120-410-01
	3	40434-457-06-3236	505-DOD	40116-438-18	40120-410-32
	4	40444-457-05-P236	505V-EOD	40126-417-01	40120-410-48
	5	42454-450-06-3236	505-FOD"L"	40126-416-02	NOTE: 10
2107	1	40414-473-07-1236	505-BOD	40116-438-02	40120-410-38
	2	40424-480-06-1236	505-COD	40116-438-02	40120-410-01
	3	40434-457-06-3236	505-DOD	40116-438-02	40120-410-03
	4	40444-457-05-P236	505V-EOD	NOTE: 9	40120-410-27
	5	42454-450-06-3236	505-FOD"L"	NOTE: 9	NOTE: 10
2112	.5SF	40411-464-08-3236	-----	40126-800-02	40120-410-43
	1	40412-454-02-3236	509-BOD	40116-438-01	40120-410-38
	2	40422-468-04-3236	509-COD	40116-438-01	40120-410-01
	3	40432-450-08-3236	509-DOD	40116-438-18	40120-410-32
	4	40442-450-08-3236	509-EOD	40126-417-01	40120-410-48
	5	42452-450-04-3236	509-FOD	40126-416-02	40120-410-54
	6	40786-454-02-0475	500-GOB930	40116-440-11	40120-410-55
	180A	1100-AOD93B	1100	40126-417-01	40120-410-49
	320A	1100-BOD93B	1100	40126-416-02	NOTE: 6
	400A	1100-COD93B	1100	40116-440-11	NOTE: 10

**NOTES:**

1. ALL STARTER PART NUMBERS ARE WITH 120 VOLT, 60 HZ. COILS, EXCEPT SIZE 6 STARTERS THAT HAVE 480 VOLTS, 60 HZ. COILS.
2. I/C CATALOG NUMBERS ARE FOR REFERENCE ONLY.
3. 40116-438: INCLUDES HANDLE, OPERATING MECHANISM AND RIGHT SIDE PLATE. 40116-440: INCLUDES HANDLE AND OPERATING MECHANISM. 40116-446: INCLUDES HANDLE AND BREAKER OPERATING MECHANISM. 40116-440-11 IS FOR THE 600, 800 AND 1200 AMP BOLTED PRESSURE SWITCH.
4. A 1 OZ. TUBE OF 'NO-OX-ID' IS SUPPLIED WITH EACH STABS ASSEMBLY.
5. FOR 2100-NA10 TO 2100-NA40 UNITS, WHERE STABS ARE NOT REQUIRED, USE (1) 40120-279-02 (INSERT SPACER), (2) M-8769 (1/4-20 X 50 TAPTITES) AND (2) M-2189 (WASHERS).
6. TWO STAB ASSEMBLIES ARE REQUIRED, CONTACT MILWAUKEE FOR PART NUMBER.
7. ON DUAL UNITS, THE SECOND PART NUMBER LISTED IS FOR THE LEFT HANDLE.
8. ON DUAL SIZE 2 UNIT THE LEFT HANDLE IS PART NUMBER 40116-438-17, THE RIGHT HANDLE IS PART NUMBER 40116-438-16.
9. PARTS VARY DEPENDING ON BREAKER, CONTACT MILWAUKEE FOR PART NUMBER.
10. UNIT IS CONNECTED DIRECT TO POWER BUS, NO STAB ASSEMBLY IS REQUIRED.

**STARTER, HANDLE AND STAB ASSEMBLIES FOR BUL: 2100 UNITS**

BUL: NUMBER	SIZE	STARTER (NOTE :1)	NOTE 2	HANDLE (NOTE: 3)	STAB (NOTE: 4)
2113	.5 SF	40411-464-08-3236		(NOTE: 10)	40120-410-43
2113	1	40412-454-02-3236	509-BOD	40116-438-02	40120-410-38
DUAL	NOTE:7	40412-454-02-3236	509-BOD	40116-438-04	40120-410-30
2113	2	40422-468-04-3236	509-COD	40116-438-02	40120-410-01
DUAL	2	40422-468-04-3236	509-COD	(NOTE: 7)	40120-410-40
2113	3	40432-450-08-3236	509-DOD	40116-438-02	40120-410-03
2113	4	40442-450-08-3236	509-EOD	(NOTE: 8)	(NOTE: 8)
2113	5	42452-450-04-3236	509-FOD"L"	40126-832-04	(NOTE: 5)
2113	6	40786-454-02-0475	500-GOB930	40126-416-01	(NOTE: 9)
2113	180A	1100-AOD93A	1100	40116-438-02	40120-410-27
2113	320A	1100-BOD93A	1100	40126-832-05	(NOTE: 5)
2113	400A	1100-COD93A	1100	40126-416-01	(NOTE: 9)
2122E	1	40415-462-03-3236	520E-BOD	40116-438-01	40120-410-38
	2	40425-475-06-3236	520E-COD	40116-438-01	40120-410-01
	3	40435-454-06-3236	520E-DOD	40116-438-18	40120-410-32
	4	40445-452-05-P236	520VE-EOD	40126-417-01	40120-410-04
	5	42455-454-06-3236	520E-FOD"L"	40126-416-02	(NOTE: 5)
2123E	1	40415-462-03-3236	520E-BOD	40116-438-02	40120-410-38
	2	40425-475-06-3236	520E-COD	40116-438-02	40120-410-01
	3	40435-454-06-3236	520E-DOD	40116-438-02	40120-410-32
	4	40445-452-05-P236	520VE-EOD	(NOTE: 8)	(NOTE: 8)
	5	42455-454-06-3236	520E-FOD"L"	40126-832-04	(NOTE: 9)
2122F	1	40415-468-04-D236	520F-BOD	40116-438-01	40120-410-38
	2	40425-481-03-D236	520F-COD	40116-438-01	40120-410-01
	3	40435-453-05-P236	520VF-DOD	40116-438-18	40120-410-32
	4	40445-453-05-P236	520VF-EOD	40126-417-01	40120-410-04
	5	42455-455-05-3236	520F-FOD"L"	40126-416-02	(NOTE: 9)
2123F	1	40415-468-04-D236	520F-BOD	40116-438-02	40120-410-38
	2	40425-481-03-D236	520F-COD	40116-438-02	40120-410-01
	3	40435-453-05-P236	520VF-DOD	40116-438-02	40120-410-03
	4	40445-453-05-P236	520VF-EOD	(NOTE: 8)	(NOTE: 8)
	5	42455-455-05-3236	520F-FOD"L"	40126-832-04	(NOTE: 9)

**NOTES:**

1. ALL STARTER PART NUMBERS ARE WITH 120 VOLT, 60 HZ. COILS, EXCEPT SIZE 6 STARTERS THAT HAVE 480 VOLTS, 60 HZ. COILS.
2. I/C CATALOG NUMBERS ARE FOR REFERENCE ONLY.
3. 40116-438: INCLUDES HANDLE, OPERATING MECHANISM AND RIGHT SIDE PLATE. 40116-440: INCLUDES HANDLE AND OPERATING MECHANISM. 40116-446: INCLUDES HANDLE AND BREAKER OPERATING MECHANISM. 40116-440-11 IS FOR THE 600, 800 AND 1200 AMP BOLTED PRESSURE SWITCH.
4. A 1 OZ. TUBE OF 'NO-OX-ID' IS SUPPLIED WITH EACH STABS ASSEMBLY.
5. TWO STAB ASSEMBLIES ARE REQUIRED, CONTACT MILWAUKEE FOR PART NUMBER.
6. ON DUAL UNITS, THE SECOND PART NUMBER LISTED IS FOR THE LEFT HANDLE.
7. ON DUAL SIZE 2 UNIT THE LEFT HANDLE IS PART NUMBER 40116-438-17, THE RIGHT HANDLE IS PART NUMBER 40116-438-16.
8. PARTS VARY DEPENDING ON BREAKER, CONTACT MILWAUKEE FOR PART NUMBER.
9. UNIT IS CONNECTED DIRECT TO POWER BUS, NO STAB ASSEMBLY IS REQUIRED.
10. USE HANDLE PART NUMBER 40126-801-03 FOR 'CA, CT & CM' TYPE BREAKERS. USE HANDLE PART NUMBER 40126-801-04 FOR 'WG' TYPE BREAKERS.



**STARTER, HANDLE AND STAB ASSEMBLIES FOR BUL: 2100 UNITS**

BUL: NUMBER	SIZE	-----	-----	HANDLE (NOTE: 3)	STAB (NOTE: 2)	
2192F	30A	-----	-----	40116-438-01	40120-410-38	
DUAL	30A	-----	-----	(NOTE: 5)	40120-410-45	
2192F	60A	-----	-----	40116-438-01	40120-410-09	
DUAL	60A	-----	-----	(NOTE: 5)	40120-410-46	
2192F	100A	-----	-----	40116-438-18	40120-410-32	
DUAL	100A	-----	-----	(NOTE: 5)	40120-410-47	
2192F	200A	-----	-----	40126-417-01	40120-410-36	
2192F	400A	-----	-----	40126-416-02	(NOTE: 4)	
2192F	600A	-----	-----	40116-440-11		
2192F	800A	-----	-----			
2192F	1200A	-----	-----			
2193F	15-30	-----	-----			40116-438-02
DUAL	(3)	-----	-----		40116-438-03	40120-410-30
2193F	40-70	-----	-----	40116-438-02	40120-410-09	
DUAL	(3)	-----	-----	40116-438-03	40120-410-40	
2193F	80-100	-----	-----	40116-438-02	40120-410-03	
DUAL	(3)	-----	-----	40116-438-03	40120-410-08	
2193F	150A	-----	-----	40116-438-02	40120-410-27	
DUAL	(3)	-----	-----	40116-438-03	40120-410-28	
2193F	250A	-----	-----	40126-832-01	40120-410-36	
2193F	400A	-----	-----	40126-832-05	(NOTE: 4)	
2193F	600A	-----	-----	40126-416-01		
2193F	800A	-----	-----			
2193F	1200A	-----	-----			
2192M	ALL	-----	-----			SAME AS 2192F
2193M	ALL	-----	-----		SAME AS 2193F	(NOTE: 4)

**MISCELLANEOUS STAB AND HANDLE PARTS**

PART NUMBER	DESCRIPTION
28171-140-09	1/4-20 X .5625 TAPTITE (STAB ASSEMBLY MOUNTING SCREWS)
40116-117-01	RED "ON" LEGEND CAP (SMALL HANDLES)
40116-117-02	GREEN "OFF" LEGEND CAP (SMALL DISCONNECTS)
40116-117-03	RED "ON" LEGEND CAP (MEDIUM AND LARGE HANDLES)
40116-117-04	GREEN "OFF-RESET" LEGEND CAP
40116-117-05	GREEN "OFF-RESET-TRIPPED" LEGEND CAP
40116-117-06	GREEN "OFF" LEGEND CAP (BUL:2400) (HORIZONTAL STAMPED)
40116-117-07	GREEN "OFF-RESET" LEGEND CAP (BUL:2400) (HORZ. STAMPED)
40116-117-08	RED "ON" LEGEND CAP (BUL:2400) (HORIZONTAL STAMPED)
2100-N18	1 PINT CAN OF 'NO-OX-ID' COMPOUND
2100-N18T	1 OZ. 'NO-OX-ID' COMPOUND (40120-886-01, 40025-198-01)

**NOTES:**

- 40116-438: INCLUDES HANDLE, OPERATING MECHANISM AND RIGHT SIDE PLATE.  
40116-440: INCLUDES HANDLE AND OPERATING MECHANISM. 40116-446: INCLUDES HANDLE AND BREAKER OPERATING MECHANISM. 40116-440-11 IS FOR THE 600, 800 AND 1200 AMP BOLTED PRESSURE SWITCH.
- A 1 OZ. TUBE OF 'NO-OX-ID' IS SUPPLIED WITH EACH STABS ASSEMBLY.
- ON DUAL UNITS, THE SECOND PART NUMBER LISTED IS FOR THE LEFT HANDLE.
- UNIT IS CONNECTED DIRECT TO POWER BUS, NO STAB ASSEMBLY IS REQUIRED.
- ON DUAL 2192F UNITS THE LEFT HANDLE IS PART NUMBER 40116-438-28, THE RIGHT HANDLE IS PART NUMBER 40116-438-27.

**STARTER, HANDLE AND STAB ASSEMBLIES FOR BUL: 2400 UNITS**

BUL: NUMBER	S.F.	AMPS	STARTER (NOTE: 1)	BREAKER	HANDLE	STAB (NOTE: 2)
2402	0.5	30	40766-456-02-0473	-----	40126-800-02	40120-410-43
	1.0	30	40766-456-02-0473	-----	40116-438-01	40120-410-38
	1.0	60	40768-450-12-0473	-----	40116-438-01	40120-410-09
2403	0.5	30	40766-456-02-0473	C*	40126-801-03	40120-410-43
	0.5	30	40766-456-02-0473	WT	40126-801-04	40120-410-43
	1.0	30	40766-456-02-0473	C*	40116-438-02	40120-410-38
	1.0	30	40766-456-02-0473	WT	40116-438-25	40120-410-50
	1.0	60	40768-450-12-0473	C*	40116-438-02	40120-410-09
	1.0	60	40768-450-12-0473	WT	40116-438-25	40120-410-51
2406	0.5	18	40766-457-01-0473	-----	40126-800-02	40120-410-43
	1.0	18	40766-457-01-0473	-----	40116-438-01	40120-410-38
	1.5	18	40766-457-01-0473	-----	40116-438-01	40120-410-38
	0.5	24	40766-457-02-0473	-----	40126-800-02	40120-410-43
	1.0	24	40766-457-02-0473	-----	40116-438-01	40120-410-38
	1.5	24	40766-457-02-0473	-----	40116-438-01	40120-410-38
	1.0	30	40767-456-01-0473	-----	40116-438-01	40120-410-38
	1.5	30	40767-456-01-0473	-----	40116-438-01	40120-410-38
	1.5	38	40768-457-01-0473	-----	40116-438-01	40120-410-01
	1.5	45	40768-457-02-0473	-----	40116-438-01	40120-410-01
	2.0	60	40769-451-05-0473	-----	40116-438-18	40120-410-32
	2.0	75	40769-451-06-0473	-----	40116-438-18	40120-410-32
2407	0.5	18	40766-457-01-0473	CA	40126-801-03	40120-410-43
	0.5	18	40766-457-01-0473	WT	40126-801-04	40120-410-43
	1.0	18	40766-457-01-0473	CA	40116-438-02	40120-410-38
	1.0	18	40766-457-01-0473	WT	40116-438-25	40120-410-38
	1.5	18	40766-457-01-0473	CA	40116-438-02	40120-410-38
	1.5	18	40766-457-01-0473	WT	40116-438-25	40120-410-38
	0.5	24	40766-457-02-0473	CA	40126-801-03	40120-410-43
	0.5	24	40766-457-02-0473	WT	40126-801-04	40120-410-43
	1.0	24	40766-457-02-0473	CA	40116-438-02	40120-410-38
	1.0	24	40766-457-02-0473	WT	40116-438-25	40120-410-38
	1.5	24	40766-457-02-0473	CA	40116-438-02	40120-410-38
	1.5	24	40766-457-02-0473	WT	40116-438-25	40120-410-38
	1.0	30	40767-456-01-0473	CA	40116-438-02	40120-410-38
	1.0	30	40767-456-01-0473	WT	40116-438-25	40120-410-50
	1.5	30	40767-456-01-0473	CA	40116-438-02	40120-410-38
	1.0	38	40768-457-01-0473	CA	40116-438-02	40120-410-01
	1.0	38	40768-457-01-0473	WT	40116-438-25	40120-410-51
	1.5	38	40768-457-01-0473	CA	40116-438-02	40120-410-01
	1.0	45	40768-457-02-0473	CA	40116-438-02	40120-410-01
	1.0	45	40768-457-02-0473	WT	40116-438-25	40120-410-51
	1.5	45	40768-457-02-0473	CA	40116-438-02	40120-410-01
	1.5	60	40769-451-05-0473	CA	40116-438-02	40120-410-09
	1.5	60	40769-451-05-0473	WT	40116-438-25	40120-410-09
	2.0	60	40769-451-05-0473	CA	40116-438-02	40120-410-09
2.0	60	40769-451-05-0473	WT	40116-438-25	40120-410-09	
1.5	75	40769-451-06-0473	CA	40116-438-02	40120-410-09	
1.5	75	40769-451-06-0473	WT	40116-438-25	40120-410-09	
2.0	75	40769-451-06-0473	CA	40116-438-02	40120-410-09	
2.0	75	40769-451-06-0473	WT	40116-438-25	40120-410-09	

**NOTES:**

1. ALL STARTER PART NUMBERS ARE WITH 120 VOLT, 60 HZ. COILS.
2. A 1 OZ. TUBE OF 'NO-OX-ID' IS SUPPLIED WITH EACH STABS ASSEMBLY.

**STARTER, HANDLE AND STAB ASSEMBLIES FOR BUL: 2400 UNITS**

BUL: NUMBER	S.F.	AMPS	STARTER (NOTE: 1)	BREAKER	HANDLE	STAB (NOTE: 2)
2412	0.5	18	40766-456-01-0473	-----	40126-800-02	40120-410-43
	1.0	18	40766-456-01-0473	-----	40116-438-01	40120-410-38
	0.5	24	40766-456-02-0473	-----	40126-800-02	40120-410-43
	1.0	24	40766-456-02-0473	-----	40116-438-01	40120-410-38
	1.0	30	40767-455-01-0473	-----	40116-438-01	40120-410-38
	1.0	38	40768-450-11-0473	-----	40116-438-01	40120-410-01
	1.0	45	40768-450-12-0473	-----	40116-438-01	40120-410-01
	1.5	60	40769-450-07-0473	-----	40116-438-18	40120-410-32
2413	1.5	75	40769-450-08-0473	-----	40116-438-18	40120-410-32
	0.5	18	40766-456-01-0473	CA	40126-801-03	40120-410-43
	0.5	18	40766-456-01-0473	WT	40126-801-04	40120-410-43
	1.0	18	40766-456-01-0473	CA	40116-438-02	40120-410-38
	1.0	18	40766-456-01-0473	WT	40116-438-25	40120-410-50
	0.5	24	40766-456-02-0473	CA	40126-801-03	40120-410-43
	0.5	24	40766-456-02-0473	WT	40126-801-04	40120-410-43
	1.0	24	40766-456-02-0473	CA	40116-438-02	40120-410-38
	1.0	24	40766-456-02-0473	WT	40116-438-25	40120-410-50
	1.0	30	40767-455-01-0473	CA	40116-438-02	40120-410-38
	1.0	30	40767-455-01-0473	WT	40116-438-25	40120-410-50
	1.0	38	40768-450-11-0473	CA	40116-438-02	40120-410-01
	1.0	38	40768-450-11-0473	WT	40116-438-25	40120-410-51
	1.0	45	40768-450-12-0473	CA	40116-438-02	40120-410-01
	1.0	45	40768-450-12-0473	WT	40116-438-25	40120-410-51
	1.5	60	40769-450-07-0473	CA	40116-438-02	40120-410-09
	1.5	60	40769-450-07-0473	WT	40116-438-25	40120-410-09
1.5	75	40769-450-08-0473	CA	40116-438-02	40120-410-09	
1.5	75	40769-450-08-0473	WT	40116-438-25	40120-410-09	
2492	0.5	30	-----	-----	40126-800-02	40120-410-43
2493	0.5	ALL	-----	WT	40126-801-04	40120-410-42
	0.5	100	-----	C*	40126-801-03	40120-410-42
	0.5	150	-----	C*	40126-801-03	40120-410-41

RECOMMENDED TORQUE REQUIREMENTS (UNLESS NOTED)	
DESCRIPTION	TORQUE
SMALL HANDLE ASSEMBLED TO UNIT WRAP AROUND	32 LB-IN
MEDIUM HANDLE ASSEMBLED TO UNIT WRAP AROUND	65 LB-IN
LARGE HANDLE ASSEMBLED TO UNIT WRAP AROUND	65 LB-IN
STAB ASSEMBLED TO WRAP AROUND (1/4-20 SCREW)	55 LB-IN
STAB ASSEMBLED TO WRAP AROUND (10-32 SCREW)	32 LB-IN

**NOTES:**

1. ALL STARTER PART NUMBERS ARE WITH 120 VOLT, 60 HZ. COILS.
2. A 1 OZ. TUBE OF 'NO-OX-ID' IS SUPPLIED WITH EACH STABS ASSEMBLY.

## BULLETIN 100 AND 104 CONTACTORS

PART NUMBER	DESCRIPTION	CATALOG NUMBER
40766-456-01-0473	18 AMP BULLETIN 100 CONTACTOR	100-A18ND3
40766-457-01-0473	18 AMP BULLETIN 104 CONTACTOR	104-A18ND3
40766-456-02-0473	24 AMP BULLETIN 100 CONTACTOR	100-A24ND3
40766-457-02-0473	24 AMP BULLETIN 104 CONTACTOR	104-A24ND3
40767-455-01-0473	30 AMP BULLETIN 100 CONTACTOR	100-A30ND3
40767-456-01-0473	30 AMP BULLETIN 104 CONTACTOR	104-A30ND3
40768-450-11-0473	38 AMP BULLETIN 100 CONTACTOR	100-A38ND3
40768-457-01-0473	38 AMP BULLETIN 104 CONTACTOR	104-A38ND3
40768-450-12-0473	45 AMP BULLETIN 100 CONTACTOR	100-A45ND3
40768-457-02-0473	45 AMP BULLETIN 104 CONTACTOR	104-A45ND3
40769-450-07-0473	60 AMP BULLETIN 100 CONTACTOR	100-A60ND3
40769-451-05-0473	60 AMP BULLETIN 104 CONTACTOR	104-A60ND3
40769-450-08-0473	75 AMP BULLETIN 100 CONTACTOR	100-A75ND3
40769-451-06-0473	75 AMP BULLETIN 104 CONTACTOR	104-A75ND3
40780-451-01-0473	110 AMP BULLETIN 100 CONTACTOR	100-B110ND3
40780-452-01-0473	110 AMP BULLETIN 104 CONTACTOR	104-B110ND3
40781-450-02-0473	180 AMP BULLETIN 100 CONTACTOR	100-B180ND3
40781-453-01-0473	180 AMP BULLETIN 104 CONTACTOR	104-B180ND3
40782-450-01-0473	250 AMP BULLETIN 100 CONTACTOR	100-B250ND3
40782-453-01-0473	250 AMP BULLETIN 104 CONTACTOR	104-B250ND3
40782-450-02-0473	304 AMP BULLETIN 100 CONTACTOR	100-B300ND3
40782-453-02-0473	304 AMP BULLETIN 104 CONTACTOR	104-B300ND3

## AUXILIARY CONTACTS FOR BULLETIN 100 AND 104 CONTACTORS

CONTACTOR AMPS	CATALOG NUMBER	DESCRIPTION
9 - 45	195-FA20	2 N.O. AUXILIARY CONTACT ADDER DECK
	195-FA40	4 N.O. AUXILIARY CONTACT ADDER DECK
	195-FA02	2 N.C. AUXILIARY CONTACT ADDER DECK
	195-FA04	4 N.C. AUXILIARY CONTACT ADDER DECK
	195-FA11	1 NO/NC AUXILIARY CONTACT ADDER DECK
	195-FA22	2 NO/NC AUXILIARY CONTACT ADDER DECK
	195-FA31	3 NO/NC AUXILIARY CONTACT ADDER DECK
9 - 30	195-BA10	1 N.O. AUXILIARY ON STARTER
	195-BA01	1 N.C. AUXILIARY ON STARTER
	195-BA11	1 NO/NC AUXILIARY ON STARTER
	195-BL01	1 N.C. (LATE BREAK) AUXILIARY ON STARTER
	195-BL11	1 N.O.(STD)/1 N.C.(LATE BREAK) AUX. ON STARTER
38 - 300	195-GA10	1 N.O. AUXILIARY ON STARTER
	195-GA01	1 N.C. AUXILIARY ON STARTER
	195-GA11	1 NO/NC AUXILIARY ON STARTER
	195-GA20	2 N.O. AUXILIARY ON STARTER
	195-GA02	2 N.C. AUXILIARY ON STARTER
	195-GL01	1 N.C. (LATE BREAK) AUXILIARY ON STARTER
400 - 600	195-GA10	1 N.O. AUXILIARY ON STARTER
	195-GB01	1 N.C. AUXILIARY ON STARTER
	195-GB11	1 NO/NC AUXILIARY ON STARTER
	195-GA20	2 N.O. AUXILIARY ON STARTER

## COILS AND CONTACT KITS FOR BUL: 100 AND 104 CONTACTORS

REF: I/C CATALOG FOR PART NUMBER AND PRICES (NOTE: 1)

CONTACTOR PART NUMBER (NOTE: 1)	COIL OPERATING VOLTAGE AT 60 HZ.					POWER CONTACT KITS
	120V	208V	240V	480V	600V	PART NUMBER (NOTE: 2)
40766-456-01-*	HP473	HB049	HB474	HB475	HB476	-----
40766-456-02-*						
40766-457-01-*						
40766-457-02-*						
40767-455-01-*						
40767-456-01-*	GC473	GC049	GC474	GC475	GC476	40768-801-01
40768-450-11-*						
40768-450-12-*						
40768-457-01-*						
40768-457-02-*						
40769-450-07-*	GD473	GD049	GD474	GD475	GD476	40769-800-01
40769-450-08-*						
40769-451-05-*						
40769-451-06-*						
40780-451-01-*	GE473	GE049	GE474	GE475	GE476	40780-800-01
40780-452-01-*						
40781-450-02-*						
40781-453-01-*						
40782-450-01-*	GG473	GG049	GG474	GG475	GG476	40782-800-01
40782-450-02-*						
40782-453-01-*						
40782-453-02-*						

COIL SURGE SUPPRESSORS FOR BULLETIN 100 AND 104 CONTACTORS				
STARTER SIZE	CONTACTOR AMPS	PART NUMBER	DESCRIPTION (NOTE: 3)	CATALOG NUMBER
00	9 - 30	199-FSMA1	SURGE SUPPRESSOR (120 VOLT)	199-FSMA1
	18 - 30	199-FSMA2	SURGE SUPPRESSOR (240 VOLT)	199-FSMA2
BUL: 700F		199-FSMZ1	SURGE SUPPRESSOR (DIODE)	199-FSMZ1
0 - 5	38 - 180	40410-244-51	SURGE SUPPRESSOR (120 VOLT)	599-K04
		40410-244-52	SURGE SUPPRESSOR (240 VOLT)	599-KA04
6	-----	24797-010-01	SURGE SUPPRESSOR (150 VOLT)	199-GSMA1
7 - 8	-----	700-N24	SURGE SUPPRESSOR (120 VOLT)	700-N24

**NOTES:**

1. PART NUMBERS LISTED ARE LESS THE COIL VOLTAGE/WIRING CODE, REFER TO PRECEDING PAGES FOR PROPER COIL CODES. STARTER PART NUMBER LISTED ARE FOR 120 VOLT, (UNLESS NOTED) FOR OTHER COIL VOLTAGE RATING, CONTACT THE 'PCPD' PRODUCT SERVICE GROUP FOR PART NUMBERS.
2. POWER CONTACT PART NUMBERS INCLUDE CONTACT KIT FOR THREE (3) POLES.
3. TORQUE CONNECTIONS ON SURGE SUPPRESSORS TO 12 LB-IN.

**BULLETIN 500 STARTERS AND CONTACTORS FOR BUL: 2100'S**

<b>PART NUMBER</b>	<b>DESCRIPTION</b>	<b>CATALOG NUMBER (NOTE: 1)</b>
40411-469-01-1236	30 AMP LIGHTING CONTACTOR	500FL-BOD93
40412-454-02-3236	S1 FULL VOLT NON-REVERSING STARTER	509-BOD
40414-473-07-1236	S1 REVERSING STARTER	505-BOD
40415-462-03-3236	S1 2 SPEED 2 WINDING (3P3P)	520E-BOD
40415-468-04-D236	S1 2 SPEED 1 WINDING (3P5P)	520F-BOD
40421-498-05-P236	S2 AUTO-XFMR CONTACTOR (2S)	500-COD930
40421-510-04-R236	60 AMP LIGHTING CONTACTOR	500FL-COD93
40422-468-04-3236	S2 FULL VOLT NON-REVERSING STARTER	509-COD
40424-480-06-1236	S2 REVERSING STARTER	505-COD
40424-481-07-0236	S2 AUTO-XFMR STARTER (1S & RUN)	505-COD
40425-475-06-3236	S2 2 SPEED 2 WINDING (3P3P)	520E-COD
40425-481-03-D236	S2 2 SPEED 1 WINDING (3P5P)	520F-COD
40431-450-07-1236	S3 AUTO-XFMR CONTACTOR (2S)	500-DOD930
40431-468-01-R236	100 AMP LIGHTING CONTACTOR	500FL-DOD93
40432-450-08-3236	S3 FULL VOLT NON-REVERSING STARTER	509-DOD
40434-457-06-3236	S3 REVERSING STARTER	505-DOD
40434-457-07-0236	S3 AUTO-XFMR STARTER (1S & RUN)	505-DOD
40435-453-05-P236	S3 2 SPEED 1 WINDING (3P5P)	520VF-DOD
40435-454-06-3236	S3 2 SPEED 2 WINDING (3P3P)	520E-DOD
40441-450-07-1236	S4 AUTO-XFMR CONTACTOR (2S)	500-EOD930
40441-456-02-R236	200 AMP LIGHTING CONTACTOR	500FL-EOD93
40442-450-08-3236	S4 FULL VOLT NON-REVERSING STARTER	509-EOD
40444-457-05-P236	S4 REVERSING STARTER	505V-EOD
40444-459-07-0236	S4 AUTO-XFMR STARTER (1S & RUN)	505-EOD
40445-452-05-P236	S4 2 SPEED 2 WINDING (3P3P)	520VE-EOD
40445-453-05-P236	S4 2 SPEED 1 WINDING (3P5P)	520VF-EOD
42451-450-08-1236	300 AMP LIGHTING CONTACTOR	500FL-FOD93
42451-450-08-1273	S5 AUTO-XFMR CONTACTOR (2S)	500FL-FOB93
42452-450-04-3236	S5 FULL VOLT NON-REVERSING STARTER	509-FOD "L"
42454-450-06-3236	S5 REVERSING STARTER	505-FOD
42454-464-02-0236	S5 AUTO-XFMR STARTER (1S & RUN)	505-FOD
42455-454-06-3236	S5 2 SPEED 2 WINDING (3P3P)	520E-FOD
42455-455-05-3236	S5 2 SPEED 1 WINDING (3P5P)	520F-FOD
40786-458-05-0473	S6 AUTO-XFMR STARTER (1S & RUN)	505-GOD
40786-454-02-0473	S6 FULL VOLT NON-REVERSING STARTER	509-GOD

**NOTES:**

1. I/C CATALOG NUMBERS LISTED "MAY NOT" BE A DIRECT EXCHANGE FOR THE STARTER OR CONTACTOR SUPPLIED IN THE UNITS, (CONTROL AND POWER WIRING SUPPLIED ON "I/C STARTERS" MAY HAVE TO BE MODIFIED AND/OR REMOVED BEFORE INSTALLING THE STARTERS INTO A MCC UNIT.) CATALOG NUMBERS ARE LISTED FOR REFERENCE ONLY. (CONTACT PCPD PRODUCT SERVICE IF YOU HAVE QUESTIONS ON THE STARTER THAT IS NEEDED.) (REFER TO I/C CATALOG FOR REPLACEMENT POWER CONTACTS AND COILS.)

## COILS AND POWER CONTACT KITS FOR BULLETIN 500 STARTERS AND CONTACTOR

REF: I/C CATALOG FOR PART NUMBER AND PRICES

STARTER PART NUMBER (NOTE: 1)	COIL OPERATING VOLTAGE AT 60 HZ.					POWER CONTACT KITS							
	120V	208V	240V	480V	600V	PART NUMBER	NOTES						
40411-469-01-*	CB236	CB249	CB254	CB273	CB278	40410-331-54	4, 5						
40412-454-02-*						40410-331-52							
40414-473-07-*													
40415-462-03-*													
40415-468-04-*						CC236		CC249	CC254	CC273	CC278	40420-322-52	4, 5
40421-498-05-*	40420-322-51												
40421-510-04-*													
40422-468-04-*													
40424-480-06-*	(NOTE: 2)												
40424-481-07-*	CD236	CD249	CD254	CD273	CD278	40430-300-52	4						
40425-475-06-*						40430-300-51							
40425-481-03-*													
40431-450-07-*								(NOTE: 2)					
40431-468-01-*						CE236		CE249	CE254	CE273	CE278	40440-325-52	4
40432-450-08-*	40440-300-51												
40434-457-06-*													
40434-457-07-*													
40435-454-06-*	(NOTE: 2)												
40435-453-05-*	AF236	AF249	AF254	AF273	AF278	42450-805-02	4						
40441-450-07-*						42450-805-01							
40441-456-02-*													
40442-450-08-*													
40444-457-05-*						(NOTE: 2)							
40444-459-07-*	(NOTE: 3)						-----	6					
40445-452-05-*													
40445-453-05-*													
40786-458-05-*		42455-805-01	(NOTE: 2)										
40786-454-02-*													
42451-450-08-*													
42451-450-08-*													
42452-450-04-*													
42454-450-06-*													
42454-464-02-*													
42455-454-06-*													
42455-455-05-*													

**NOTES:**

1. PART NUMBERS LISTED ARE LESS THE COIL VOLTAGE/WIRING CODE, REFER TO PRECEDING PAGES FOR PROPER COIL CODES (NOTE: STARTERS LOADED FOR SALES BY 'PCP DIVISION' ALL HAVE 120V COILS UNLESS NOTED (NOTE: 3))
2. REFER TO I/C CATALOG FOR PART NUMBERS.
3. DUE TO HIGH COIL CURRENT INRUSH, STARTERS ARE ONLY SUPPLIED WITH 480 VOLT COILS, CONTACT 'PCPD' PRODUCT SERVICE GROUP FOR PART NUMBERS.
4. POWER CONTACT PART NUMBERS INCLUDE ONE (1) SINGLE POLE CONTACT KIT, CONSISTING OF ONE (1) FRONT AND ONE (1) REAR STATIONARY CONTACT, ONE (1) MOVABLE CONTACT AND ONE (1) CONTACT SPRING.
5. DO NOT USE ON POWER POLE ADDERS. (REF: I/C CATALOG FOR PART NUMBER)
6. CONTACT 'PCPD' PRODUCT SERVICE GROUP FOR PART NUMBERS.

**AUXILIARY CONTACT AND ACCESSORIES FOR BULLETIN 500  
STARTERS AND CONTACTORS**

PART NUMBER	DESCRIPTION (NOTE: 1)	CATALOG NUMBER
40495-455-01	N.O./N.C. AUXILIARY FOR S1 TO S5 STARTERS	595-AB
40495-456-01	N.O./N.O. AUXILIARY FOR S1 TO S5 STARTERS	595-AA
40495-457-01	N.C./N.C. AUXILIARY FOR S1 TO S5 STARTERS	595-BB
40495-458-01	N.O. AUXILIARY FOR S1 TO S5 STARTERS	595-A
40495-458-02	N.O. HOLD IN CONTACT S1 TO S5 STARTERS	-----
40495-459-01	N.C. AUXILIARY FOR S1 TO S5 STARTERS	595-B
40495-459-02	N.C. LATE BREAK AUX. S1 TO S5 STARTERS	595-BL
40768-453-10	N.O./N.C. AUXILIARY S6 STARTERS/CONTACTORS	195-GB11
N/A	N.O. AUXILIARY S6 STARTERS/CONTACTORS	195-GA10
	N.C. AUXILIARY S6 STARTERS/CONTACTORS	195-GB01
	(2) N.O. AUXILIARY S6 STARTERS/CONTACTORS	195-GA20
	(2) N.C. AUXILIARY S6 STARTERS/CONTACTORS	195-GB02
Z-26640	DUAL AUXILIARY S7 AND S8 STARTERS	1495-K6
Z-26644	SINGLE AUXILIARY S7 AND S8 STARTERS	1495-J6
40497-466-01	ON-DELAY TIMER OF 500 LINE STARTERS	596-TR32
40497-466-02	OFF-DELAY TIMER OF 500 LINE STARTERS	596-TR33

**STARTER POWER CONNECTION AND TORQUE REQUIREMENTS**

STARTER CONNECTION/TERMINALS			STANDARD LUG (NOTE: 2)				
SIZE	RECOMMEND TORQUE REQUIRED	CONNECTION TYPE	ALLEN-BRADLEY PART NUMBER	WIRE SIZE			RECOMMEND TORQUE REQUIRED
				NUM	MIN	MAX	
1	20 LB-IN	WIRE CLAMP	-----	1	#14	#8	-----
2	45 LB-IN	1/4-28 BOLT	X-316012	1	#14	#4	45 LB-IN
3	150 LB-IN	5/16-24 BOLT	X-316013	1	#8	1/0	150 LB-IN
4	240 LB-IN	3/8-24 BOLT	X-316014	1	#6	4/0	240 LB-IN
5	375 LB-IN	1/2-13 BOLT	42450-020-01	1	#4	500	375 LB-IN
6	375 LB-IN	M12 x .98	199-LJ1	2	NO	500	275 LB-IN

**NOTES:**

- TORQUE CONTROL TERMINAL CONNECTIONS AT 12 LB-IN. (UNLESS NOTED)
- LUGS ARE SUPPLIED AS STANDARD ON I/C STARTERS, PCP REMOVES THE LUGS AND USES CRIMP LUGS AND CONNECTS DIRECT TO THE TERMINALS ON THE STARTERS. LOAD LUGS WOULD BE SUPPLIED ON ALL SIZE 4 AND 5 UNIT LOAD CONNECTIONS, AND ON SIZE 1, 2 AND 3 UNITS THAT ARE TYPE "A" WIRING, ON UNIT THAT ARE TYPE "B" WIRING TERMINAL BLOCKS (1492-ED103 SIZE 1 AND 2, 1492-CE2 SIZE 3) WOULD BE SUPPLIED.



**REPLACEMENT PARTS FOR BULLETIN 2154E "SMC-2"**

BUL: 2154E, BUL: 150 "SMC-2" CONTROLLER WITH DISCONNECT										
RATING		DISC AMPS	BULLETIN 150 "SMC-2" CATALOG NUMBER	SCR FUSE (NOTE: 1)		BRANCH FUSE		BYPASS/ ISOLATION CONTACTOR (NOTE: 2)		
AMP	H.P.			PART NUMBER	AMPS	PART NUMBER	AMPS			
<b>LINE VOLTAGE 240 VOLTS, NEMA TYPE 1, 1G &amp; 12</b>										
5	.33	30	150-A05NA-ND	2517830601	12	2518327220	2.0	100-A18ND3		
	.50					2518327226	3.5			
	.75					2518327228	4.5			
	1.00					2518327231	6.0			
9	1.50		150-A09NA-ND	2517830602	20	2518327235	10.0			
	2.00					2518425104	10.0			
16	3.00		150-A16NA-ND	2517830001	40	2518425105	15.0			
	5.00					2518425107	25.0			
<b>LINE VOLTAGE 480 VOLTS, NEMA TYPE 1, 1G &amp; 12</b>										
5	.33		30	150-A05NB-ND	2517830601	12	2518327213		.8	100-A18ND3
	.50						2518327217		1.5	
	.75						2518327220		2.0	
	1.00	2518327224					3.0			
	1.50	2518327228					4.5			
	2.00	2518327231					6.0			
9	3.00	150-A09NB-ND		2517830602	20	2518327235	10.0			
	5.00					2518425104	10.0			
16	7.50	150-A16NB-ND		2517830001	40	2518425105	15.0			
	10.0					2518425106	20.0			
<b>LINE VOLTAGE 600 VOLTS, NEMA TYPE 1, 1G &amp; 12</b>										
5	.33	30		150-A05NC-ND	2517830601	12	2518327211	.75	100-A18ND3	
	.50		2518327217				1.5			
	.75		2518327220				2.0			
	1.00		2518327220				2.0			
	1.50		2518327224				3.0			
	2.00		2518327228				4.5			
9	3.00		150-A09NC-ND	2517830602	20	2518327231	6.0			
	5.00					2518425104	10.0			
16	7.50		150-A16NC-ND	2517830001	40	2518425105	15.0			
	10.0					2518425105	15.0			

**NOTES:**

1. SCR Fuses are only included if option "13SCR" is specified.
2. Isolation Contactors are only included if option "13IC" is specified.  
Bypass Contactors are only included on NEMA 1G and 12 units.

**REPLACEMENT PARTS FOR 2154F'S**

BUL: 2154F, BUL: 150 "SMC PLUS" CONTROLLER W/DISC. LINE VOLTAGE 240 VOLTS, NEMA TYPE 1, 1G & 12								
RATING		DISC AMPS	BULLETIN 150 "SMC PLUS" CATALOG NUMBER	SCR FUSE (NOTE: 8)			BYPASS/ ISOLATION CONTACTOR (NOTE: 9)	
AMPS	H.P.			PART NUMBER	AMPS	TYPE		
24	1	30	150-A24NBD	25178-301-10	70	A70P	100-A24ND3	
	1.5							
	2							
	3							
	5							
7.5	(*1)							
35	10	60	150-A35NBD	25178-301-01	100			100-A38ND3
54	15	(*2)	150-A54NBD	25178-301-02	200			100-A60ND3
	20	100						
97	25	(*3)	150-A97NBD	25178-301-03	300			100-B110ND3
	30							
135	40	200	150-A135NBD				100-B180ND3	
	50							
180	60	400	150-A180NBD	25178-301-04	400			
240	75		150-A240NBD	25178-301-07	500		100-B300ND3	
360	100	(*4)	150-A360NBD	25178-302-01	800		100-B400NA3	
	125	600						
	150							
500	200		150-A500NBD	25178-303-01	1000		100-B600NA3	

**NOTES: (\*)**

1. Unit has 30 amp disconnect with 60 amp fuse clips.
2. Unit has 100 amp disconnect with 60 amp fuse clips.
3. Unit has 200 amp disconnect with 100 amp fuse clips.
4. Unit has 600 amp bolted pressure switch with 400 amp clips.
5. Unit has 100 amp disconnect with 200 amp fuse clips.
6. Unit has 200 amp disconnect with 400 amp fuse clips.
7. Unit has 400 amp disconnect with 600 amp fuse clips.
8. SCR Fuses are only included if option "13SCR" is specified.
9. Isolation Contactors are only included if option "13IC" is specified.  
Bypass Contactors are only included on NEMA 1G and 12 units.

**REPLACEMENT PARTS FOR 2154F'S**

BUL: 2154F, BUL: 150 "SMC PLUS" CONTROLLER W/DISC. LINE VOLTAGE 480 VOLTS, NEMA TYPE 1, 1G & 12							
RATING		DISC AMPS	BULLETIN 150 "SMC PLUS" CATALOG NO.	SCR FUSE (NOTE: 8)			BYPASS/ ISOLATION CONTACTOR (NOTE: 9)
AMPS	H.P.			PART NUMBER	AMPS	TYPE	
24	1	30	150-A24NBD	25178-301-10	70	A70P	100-A24ND3
	1.5						
	2						
	3						
	5						
	7.5						
	10						
15							
35	20	60	150-A35NBD	25178-301-01	100	A70P	100-A38ND3
	25						
54	30	(*2)	150-A54NBD	25178-301-02	200	A70P	100-A60ND3
	40						
97	50	(*3)	150-A97NBD	25178-301-03	300	A70P	100-B110ND3
	60						
	75						
135	100	200	150-A135NBD			A70P	100-B180ND3
180	125		400	150-A180NBD	25178-301-04		
	150						
240	200	600	150-A240NBD	25178-301-07	500	A70P	100-B300ND3
360	250		150-A360NBD	25178-302-01	800		
	300						
500	350	600	150-A500NBD	25178-303-01	1000	A70P	100-B600NB3
	400						

**NOTES: (\*)**

1. Unit has 30 amp disconnect with 60 amp fuse clips.
2. Unit has 100 amp disconnect with 60 amp fuse clips.
3. Unit has 200 amp disconnect with 100 amp fuse clips.
4. Unit has 600 amp bolted pressure switch with 400 amp clips.
5. Unit has 100 amp disconnect with 200 amp fuse clips.
6. Unit has 200 amp disconnect with 400 amp fuse clips.
7. Unit has 400 amp disconnect with 600 amp fuse clips.
8. SCR Fuses are only included if option "13SCR" is specified.
9. Isolation Contactors are only included if option "13IC" is specified.  
Bypass Contactors are only included on NEMA 1G and 12 units.

**REPLACEMENT PARTS FOR 2154F'S**

BUL: 2154F, BUL: 150 "SMC PLUS" CONTROLLER W/DISC. LINE VOLTAGE 600 VOLTS, NEMA TYPE 1, 1G & 12							
RATING		DISC AMPS	BULLETIN 150 "SMC PLUS" CATALOG NUMBER	SCR FUSE (NOTE: 8)			BYPASS/ ISOLATION CONTACTOR (NOTE: 9)
AMPS	H.P.			PART NUMBER	AMPS	TYPE	
24	1	30	150-A24NCD	25178-301-10	70	A70P	100-A24ND3
	1.5						
	2						
	3						
	5						
	7.5						
	10						
	15						
35	20	60	150-A35NCD	25178-301-01	100	A70P	100-A38ND3
	25						
54	30	(*2)	150-A54NCD	25178-301-02	200	A70P	100-A60ND3
	40						
97	50	100	150-A97NCD	25178-301-03	300	A70P	100-B110ND3
	60						
135	75	200	150-A135NCD	25178-301-04	400	A70P	100-B180ND3
	100						
180	125	(*6)	150-A180NCD	25178-301-07	500	A70P	100-B300ND3
	150						
240	200	400	150-A240NCD	25178-302-01	800	A70P	100-B400NC3
	250						
360	300	600	150-A360NCD	25178-303-01	1000	A70P	100-B600NC3
	350						
500	400	600	150-A500NCD	25178-303-01	1000	A70P	100-B600NC3
	450						
	500						

**NOTES: (\*)**

1. Unit has 30 amp disconnect with 60 amp fuse clips.
2. Unit has 100 amp disconnect with 60 amp fuse clips.
3. Unit has 200 amp disconnect with 100 amp fuse clips.
4. Unit has 600 amp bolted pressure switch with 400 amp clips.
5. Unit has 100 amp disconnect with 200 amp fuse clips.
6. Unit has 200 amp disconnect with 400 amp fuse clips.
7. Unit has 400 amp disconnect with 600 amp fuse clips.
8. SCR Fuses are only included if option "13SCR" is specified.
9. Isolation Contactors are only included if option "13IC" is specified.  
Bypass Contactors are only included on NEMA 1G and 12 units.

**REPLACEMENT FOR 2154G "SMC DIALOG PLUS"**

BUL: 2154G, "SMC DIALOG PLUS" CONTROLLER W/DISC. LINE VOLTAGE 240 VOLTS, NEMA TYPE 1, 1G & 12							
RATING		DISC AMPS	BULLETIN 150 "SMC DIALOG PLUS" CATALOG NO.	SCR FUSE (NOTE: 8)			BYPASS/ ISOLATION CONTACTOR (NOTE: 9)
AMPS	H.P.			PART NUMBER	AMPS	TYPE	
24	1	30	150-B24NBD	25178-301-10	70	A70P	100-A24ND3
	1.5						
	2						
	3						
	5						
7.5							
35	10	60	150-B35NBD	25178-301-01	100		100-A38ND3
54	15	100	150-B54NBD	25178-301-02	200		100-A60ND3
	20						100-B110ND3
97	25	200	150-B97NBD	25178-301-03	300		100-B180ND3
	30		150-B135NBD			100-B300ND3	
135	40		400	150-B180NBD	25178-301-04	400	100-B400NA3
	50			150-B240NBD	25178-301-07	500	100-B600NA3
240	75	600	150-B360NBD	25178-302-01	800		
	100		150-B500NBD	25178-303-01	1000		

**NOTES:**

1. Unit has 30 amp disconnect with 60 amp fuse clips.
2. Unit has 100 amp disconnect with 60 amp fuse clips.
3. Unit has 200 amp disconnect with 100 amp fuse clips.
4. Unit has 600 amp bolted pressure switch with 400 amp clips.
5. Unit has 100 amp disconnect with 200 amp fuse clips.
6. Unit has 200 amp disconnect with 400 amp fuse clips.
7. Unit has 400 amp disconnect with 600 amp fuse clips.
8. SCR Fuses are only included if option "13SCR" is specified.
9. Isolation Contactors are only included if option "13IC" is specified.  
Bypass Contactors are only included on NEMA 1G and 12 units.

**REPLACEMENT PARTS FOR 2154G "SMC DIALOG PLUS"**

BUL: 2154G, "SMC DIALOG PLUS" CONTROLLER W/DISC. LINE VOLTAGE 480 VOLTS, NEMA TYPE 1, 1G & 12							
RATING		DISC AMPS	BULLETIN 150 "SMC DIALOG PLUS" CATALOG NO.	SCR FUSE (NOTE: 8)			BYPASS/ ISOLATION CONTACTOR (NOTE: 9)
AMPS	H.P.			PART NUMBER	AMPS	TYPE	
24	1	30	150-B24NBD	25178-301-10	70	A70P	100-A24ND3
	1.5						
	2						
	3						
	5						
	7.5						
	10						
15							
35	20	60	150-B35NBD	25178-301-01	100		100-A38ND3
	25						
54	30	100	150-B54NBD	25178-301-02	200		100-A60ND3
	40						
97	50	200	150-B97NBD	25178-301-03	300		100-B110ND3
	60						
	75						
135	100		150-B135NBD			100-B180ND3	
180	125	400	150-B180NBD	25178-301-04	400		
	150						
240	200		150-B240NBD	25178-301-07	500	100-B300ND3	
360	250	600	150-B360NBD	25187-302-01	800	100-B400NB3	
	300						
500	350		150-B500NBD	25178-303-01	1000	100-B600NB3	
	400						

**NOTES:**

1. Unit has 30 amp disconnect with 60 amp fuse clips.
2. Unit has 100 amp disconnect with 60 amp fuse clips.
3. Unit has 200 amp disconnect with 100 amp fuse clips.
4. Unit has 600 amp bolted pressure switch with 400 amp clips.
5. Unit has 100 amp disconnect with 200 amp fuse clips.
6. Unit has 200 amp disconnect with 400 amp fuse clips.
7. Unit has 400 amp disconnect with 600 amp fuse clips.
8. SCR Fuses are only included if option "13SCR" is specified.
9. Isolation Contactors are only included if option "13IC" is specified.  
Bypass Contactors are only included on NEMA 1G and 12 units.

**REPLACEMENT PARTS FOR 2154G "SMC DIALOG PLUS"**

BUL: 2154G, "SMC DIALOG PLUS" CONTROLLER W/DISC. LINE VOLTAGE 600 VOLTS, NEMA TYPE 1, 1G & 12								
RATING		DISC AMPS	BULLETIN 150 "SMC DIALOG PLUS" CATALOG NO.	SCR FUSE (NOTE: 8)			BYPASS/ ISOLATION CONTACTOR (NOTE: 9)	
AMPS	H.P.			PART NUMBER	AMPS	TYPE		
24	1	30	150-B24NCD	25178-301-10	70	A70P	100-A24ND3	
	1.5							
	2							
	3							
	5							
	7.5							
	10							
	15							
20								
35	25	60	150-B35NCD	25178-301-01	100	A70P	100-A38ND3	
	30							
54	40	100	150-B54NCD	25178-301-02	200	A70P	100-A60ND3	
	50							
97	60	200	150-B97NCD	25178-301-03	300	A70P	100-B110ND3	
	75							
135	100		150-B135NCD	25178-301-04	400		A70P	100-B180ND3
	125							
180	150	400	150-B180NCD	25178-301-07	500	A70P	100-B300ND3	
	200							
240	250	600	150-B240NCD	25178-302-01	800	A70P	100-B400NC3	
	300							
360	350	600	150-B360NCD	25178-303-01	1000	A70P	100-B600NC3	
	400							
	450							
500	500	600	150-B500NCD	25178-303-01	1000	A70P	100-B600NC3	
	450							
500	500	600	150-B500NCD	25178-303-01	1000	A70P	100-B600NC3	
	500							

**NOTES:**

1. Unit has 30 amp disconnect with 60 amp fuse clips.
2. Unit has 100 amp disconnect with 60 amp fuse clips.
3. Unit has 200 amp disconnect with 100 amp fuse clips.
4. Unit has 600 amp bolted pressure switch with 400 amp clips.
5. Unit has 100 amp disconnect with 200 amp fuse clips.
6. Unit has 200 amp disconnect with 400 amp fuse clips.
7. Unit has 400 amp disconnect with 600 amp fuse clips.
8. SCR Fuses are only included if option "13SCR" is specified.
9. Isolation Contactors are only included if option "13IC" is specified.  
Bypass Contactors are only included on NEMA 1G and 12 units.

**REPLACEMENT PARTS FOR 2155E "SMC-2"**

<b>BUL:2155E, BUL:150 "SMC-2", CONTROLLER W/CIRCUIT BREAKER</b>							
<b>RATING</b>		<b>BREAKER</b>		<b>BULLETIN 150 "SMC-2" CATALOG NUMBER</b>	<b>SCR FUSE (NOTE: 1)</b>		<b>BYPASS/ ISOLATION CONTACTOR (NOTE: 2)</b>
<b>AMP</b>	<b>H.P.</b>	<b>AMP RATING</b>	<b>FRAME TYPE</b>		<b>PART NUMBER</b>	<b>AMPS</b>	
<b>LINE VOLTAGE 240 VOLTS, NEMA TYPE 1, 1G &amp; 12</b>							
5	.33	3	HMCP	150-A05NA-ND	25178-306-01	12	100-A18ND3
	.50	7					
	.75						
	1.00						
9	1.50	15					
	2.00						
16	3.00	30					
	5.00						
<b>LINE VOLTAGE 480 VOLTS, NEMA TYPE 1, 1G &amp; 12</b>							
5	.33	3	HMCP	150-A05NB-ND	25178-306-01	12	100-A18ND3
	.50						
	.75						
	1.00	7					
	1.50						
	2.00						
9	3.00	15					
	5.00						
16	7.50	30					
	10.00						
<b>LINE VOLTAGE 600 VOLTS, NEMA TYPE 1, 1G &amp; 12</b>							
5	.33	3	HMCP	150-A05NC-ND	25178-306-01	12	100-A18ND3
	.50						
	.75						
	1.00	7					
	1.50						
	2.00						
9	3.00	15					
	5.00						
16	7.50	30					
	10.00						

**NOTES:**

1. SCR Fuses are only included if option "13SCR" is specified.
2. Isolation Contactors are only included if option "13IC" is specified.  
Bypass Contactors are only included on NEMA 1G and 12 units.



**REPLACEMENT PARTS FOR 2155F'S**

BUL: 2155F, BUL: 150 "SMC PLUS" CONTROLLER W/BREAKER LINE VOLTAGE 240 VOLTS, NEMA TYPE 1, 1G & 12							
RATING		BREAKER		BULLETIN 150 "SMC PLUS" CATALOG NUMBER	SCR FUSE (NOTE: 1)		BYPASS/ ISOLATION CONTACTOR (NOTE: 2)
AMP	H.P.	AMPS	TYPE		PART NUMBER	AMPS	
24	1	7	HMCP	150-A24NBD	25178-301-10	70	100-A24ND3
	1.5	15					
	2						
	3	30					
	5						
7.5	50						
35	10	50		150-A35NBD	25178-301-01	100	100-A38ND3
54	15	100		150-A54NBD	25178-301-02	200	100-A60ND3
	20						
97	25	150L		150-A97NBD	25178-301-03	300	100-B110ND3
	30						
135	40	150H		150-A135NBD	25178-301-04	400	100-B180ND3
	50						
180	60	250H		150-A180NBD	25178-301-04	400	100-B300ND3
240	75						
360	100	600	150-A360NBD	25178-302-01	800	100-B400NA3	
	125						
	150						
500	200		150-A500NBD	25178-303-01	1000	100-B600NA3	

**NOTES:**

1. SCR Fuses are only included if option "13SCR" is specified.
2. Isolation Contactors are only included if option "13IC" is specified.  
Bypass Contactors are only included on NEMA 1G and 12 units.

**REPLACEMENT PARTS FOR 2155F'S**

BUL: 2155F, BUL: 150 "SMC PLUS" CONTROLLER W/BREAKER LINE VOLTAGE 480 VOLTS, NEMA TYPE 1, 1G & 12								
RATING		BREAKER		BULLETIN 150 "SMC PLUS" CATALOG NUMBER	SCR FUSE (NOTE: 1)		BYPASS/ ISOLATION CONTACTOR (NOTE: 2)	
AMPS	H.P.	AMPS	TYPE		PART NUMBER	AMPS		
24	1	3	HMCP	150-A24NBD	25178-301-10	70	100-A24ND3	
	1.5	7						
	2							
	3	15						
	5							
	7.5	30						
	10							
15								
35	20	50			150-A35NBD	25178-301-01	100	100-A38ND3
	25							
54	30	100			150-A54NBD	25178-301-02	200	100-A60ND3
	40							
97	50	150L			150-A97NBD	25178-301-03	300	100-B110ND3
	60							
135	75	150H		150-A135NBD			100-B180ND3	
	100							
180	125	250H		150-A180NBD	25178-301-04	400		
	150							
240	200	400		150-A240NBD	25178-301-07	500	100-B300ND3	
360	250	600		150-A360NBD	25178-302-01	800	100-B400NB3	
	300							
500	350	800	MD	150-A500NBD	25178-303-01	1000	100-B600NB3	
	400							

**NOTES:**

1. SCR Fuses are only included if option "13SCR" is specified.
2. Isolation Contactors are only included if option "13IC" is specified.  
Bypass Contactors are only included on NEMA 1G and 12 units.

**REPLACEMENT PARTS FOR 2155F'S**

BUL: 2155F, BUL: 150 "SMC PLUS" CONTROLLER W/BREAKER LINE VOLTAGE 600 VOLTS, NEMA TYPE 1, 1G & 12							
RATING		BREAKER		BULLETIN 150 "SMC PLUS" CATALOG NUMBER	SCR FUSE (NOTE: 1)		BYPASS/ ISOLATION CONTACTOR (NOTE: 2)
AMPS	H.P.	AMPS	TYPE		PART NUMBER	AMPS	
24	1	3	HMCP	150-A24NCD	25178-301-10	70	100-A24ND3
	1.5	7					
	2						
	3						
	5						
	7.5	30					
	10						
	15	50					
20							
35	25	50		150-A35NCD	25178-301-01	100	100-A38ND3
	30						
54	40	100		150-A54NCD	25178-301-02	200	100-A60ND3
	50						
97	60	150L		150-A97NCD	25178-301-03	300	100-B110ND3
	75						
135	100	150H		150-A135NCD	25178-301-04	400	100-B180ND3
	125	250H					
180	150		250H	150-A180NCD			
	200	150-A240NCD		25178-301-07	500	100-B300ND3	
240	250	400	150-A240NCD				
	300	600	150-A360NCD	25178-302-01	800	100-B400NC3	
360	350						
	400	800	150-A500NCD	25178-303-01	1000	100-B600NC3	
	450		MD				
500	500						

**NOTES:**

1. SCR Fuses are only included if option "13SCR" is specified.
2. Isolation Contactors are only included if option "13IC" is specified.  
Bypass Contactors are only included on NEMA 1G and 12 units.

**REPLACEMENT PARTS FOR 2155G "SMC DIALOG PLUS"**

BUL: 2155G, "SMC DIALOG PLUS" CONTROLLER W/BREAKER LINE VOLTAGE 240 VOLTS, NEMA TYPE 1, 1G & 12							
RATING		BREAKER		BULLETIN 150 "SMC DIALOG PLUS" CATALOG NO.	SCR FUSE (NOTE: 1)		BYPASS/ ISOLATION CONTACTOR (NOTE: 2)
AMP	HP	AMPS	TYPE		PART NUMBER	AMPS	
24	1	7	HMCP	150-B24NBD	25178-301-10	70	100-A24ND3
	1.5	15					
	2						
	3	30					
	5						
7.5	50						
35	10	50		150-B35NBD	25178-301-01	100	100-A38ND3
54	15	100		150-B54NBD	25178-301-02	200	100-A60ND3
	20						
97	25	150		150-B97NBD	25178-301-03	300	100-B110ND3
	30			100-B180ND3			
135	40	150		150-B135NBD	25178-301-04	400	100-B180ND3
	50						
180	60	250		150-B180NBD	25178-301-04	400	
240	75	400		150-B240NBD	25178-301-07	500	100-B300ND3
360	100	600	150-B360NBD	25178-302-01	800	100-B400NA3	
	125						
	150						
500	200	800	ND	150-B500NBD	25178-303-01	1000	100-B600NA3

**NOTES:**

1. SCR Fuses are only included if option "13SCR" is specified.
2. Isolation Contactors are only included if option "13IC" is specified.  
Bypass Contactors are only included on NEMA 1G and 12 units.

**REPLACEMENT PARTS FOR 2155G "SMC DIALOG PLUS"**

BUL: 2155G, "SMC DIALOG PLUS" CONTROLLER W/BREAKER LINE VOLTAGE 480 VOLTS, NEMA TYPE 1, 1G & 12							
RATING		BREAKER		BULLETIN 150 "SMC DIALOG PLUS" CATALOG NO.	SCR FUSE (NOTE: 1)		BYPASS/ ISOLATION CONTACTOR (NOTE: 2)
AMPS	H.P.	AMPS	TYPE		PART NUMBER	AMPS	
24	1	3	HMCP	150-B24NBD	25178-301-10	70	100-A24ND3
	1.5	7					
	2						
	3	15					
	5						
	7.5	30					
	10						
15							
35	20	50		150-B35NBD	25178-301-01	100	100-A38ND3
	25						
54	30	100		150-B54NBD	25178-301-02	200	100-A60ND3
	40						
97	50	150		150-B97NBD	25178-301-03	300	100-B110ND3
	60						
	75						
135	100		150-B135NBD			100-B180ND3	
180	125	250	150-B180NBD	25178-301-04	400		
	150						
240	200	400	150-B240NBD	25178-301-07	500	100-B300ND3	
360	250	600	150-B360NBD	25178-302-01	800	100-B400NB3	
	300						
500	350	800	150-B500NBD	25178-303-01	1000	100-B600NB3	
	400		ND				

**NOTES:**

1. SCR Fuses are only included if option "13SCR" is specified.
2. Isolation Contactors are only included if option "13IC" is specified.  
Bypass Contactors are only included on NEMA 1G and 12 units.

**REPLACEMENT PARTS FOR 2155G "SMC DIALOG PLUS"**

BUL: 2155G, "SMC DIALOG PLUS" CONTROLLER W/BREAKER LINE VOLTAGE 600 VOLTS, NEMA TYPE 1, 1G & 12							
RATING		BREAKER		BULLETIN 150 "SMC DIALOG PLUS" CATALOG NO.	SCR FUSE (NOTE: 1)		BYPASS/ ISOLATION CONTACTOR (NOTE: 2)
AMPS	H.P.	AMPS	TYPE		PART NUMBER	AMPS	
24	1	3	HMCP	150-B24NCD	25178-301-10	70	100-A24ND3
	1.5	7					
	2						
	3						
	5						
	7.5	30					
	10						
	15	50					
20							
35	25	100		150-B35NCD	25178-301-01	100	100-A38ND3
	30						
54	40	150		150-B54NCD	25178-301-02	200	100-A60ND3
	50						
97	60	250		150-B97NCD	25178-301-03	300	100-B110ND3
	75						
135	100	400		150-B135NCD	25178-301-04	400	100-B180ND3
	125						
180	150	600	150-B180NCD	25178-301-07	500	100-B300ND3	
	200						
240	250	800	150-B240NCD	25178-302-01	800	100-B400NC3	
	300						
360	350	ND	150-B360NCD	25178-303-01	1000	100-B600NC3	
	400						
	450						
500	500		150-B500NCD				

**NOTES:**

1. SCR Fuses are only included if option "13SCR" is specified.
2. Isolation Contactors are only included if option "13IC" is specified.  
Bypass Contactors are only included on NEMA 1G and 12 units.

**STARTING TRANSFORMERS AND STARTERS FOR 2172/2173 UNITS**

SIZE	VOLTS	H.P.	STARTING XFMR. (NOTE: 1)	1S & RUN (NOTE: 2)	2S (NOTE: 2)	
2	480	15	X-289312	40424-481-07-0236	40421-498-05-P236	
		20	X-289332			
		25				
3	240	20	X-289331	40434-457-07-0236	40431-450-07-1236	
		25				
		30				
	480	30	X-289332			
		40	X-289352			
		50	X-289333			
	600	30				
		40				
		50				
4	240	40	X-289351	40444-459-07-0236	40441-450-07-1236	
		50				
		60				
	480	75	X-289372			
		100				
		60				X-289373
600	75					
	100					
	5	240	60	X-292035	42454-464-02-0236	40441-450-07-1236
75						
100						
480		125	X-298740			
		150				
		200				
600		125	X-298741			
		150				
		200				
6	240	125	X-298739	40786-458-05-0474	42451-450-08-1254	
		150				
		200				
	480	250	40022-054-01	X-341948	40786-458-05-0475	42451-450-08-1273
		300				
		350				
		400				
	600	300	X-341949	40786-458-05-0476	42451-450-08-1278	
		350				
400						

**NOTES:**

1. STARTING TRANSFORMERS UP TO 200 H.P. ALLOW A STARTING TIME OF 10, 15 OR 20 SECONDS, (RESPECTIVELY AT 80%, 65% OR 50% TAPS) OUT OF EACH FOUR MINUTES FOR ONE HOUR FOLLOWED BY A REST PERIOD OF TWO HOURS. STARTING TRANSFORMERS ABOVE 200 H.P. ALLOW A STARTING TIME OF 20, 30 OR 50 SECONDS, (RESPECTIVELY AT 80%, 65% OR 50% TAPS). THIS IS FOLLOWED BY AN OFF TIME OF 30 SECONDS FOR A MAXIMUM OF 3 STARTS, FOLLOWED BY A REST PERIOD OF ONE HOUR.
2. SIZE 2 TO 5 STARTER LISTED HAVE 120 VOLT COILS, SIZE 6 STARTERS LISTED ARE BULLETIN 104 AND HAVE LINE VOLT COILS. (REF: PUB: 2100-2.4.6 TO 2.4.6 FOR STANDARD WIRING DIAGRAMS.)

## STARTING TRANSFORMERS FOR BULLETIN 2172/2173 UNIT

PART NUMBER	DESCRIPTION (NOTE: 1)		
	VOLTS	HORSE POWER RATING	% TAPS
X-289311	240/220/208	10 & 15	65-80
X-289312	480/440/415	15	
X-289313	550/600		
X-289331	240/220/208	20, 25 & 30	65-80
X-289332	480/440/415		
X-289333	550/600		
X-289351	240/220/208	40 & 50	65-80
X-289352	480/440/415		
X-289353	550/600		
X-292035	240/220/208	60, 75 & 100	50-65-80
X-289372	480/440/415		
X-289373	550/600		
X-298739	240/220/208	125, 150 & 200	50-65-80
X-298740	480/440/415		
X-298741	550/600		
40022-054-01	480	250	50-65-80
X-341948	480/440/415	300, 350 & 400	
X-341949	550/600		

## CONTROL AND TIMING RELAYS FOR BULLETIN 2172/2173 UNITS

REF: PUBLICATION 2100-2.4.2 TO 2100-2.4.6) (ALL SIZES)				
2S	ISTR		S6 CONTROL/AUX. RELAYS	
TIMING RELAY	RELAY	TIMER DECK	CR,RRX,2SA	1SA, RA
40497-466-01	40765-450-05-0473	40764-400-01	700-F***A1	40474-411-05
(596-TR32)	(700-F310A1)	(196-FTA)	NOTE :2	

## MISCELLANEOUS PARTS FOR BULLETIN 2172/2173 UNITS

PART NUMBER	DESCRIPTION
X-286729	THERMAL CUTOUT(ST), MOUNTS ON SIDE OF STARTING XFMR.

**NOTES:**

1. STARTING TRANSFORMERS UP TO 200 H.P. ALLOW A STARTING TIME OF 10, 15 OR 20 SECONDS, (RESPECTIVELY AT 80%, 65% OR 50% TAPS) OUT OF EACH FOUR MINUTES FOR ONE HOUR FOLLOWED BY A REST PERIOD OF TWO HOURS. STARTING TRANSFORMERS ABOVE 200 H.P. ALLOW A STARTING TIME OF 20, 30 OR 50 SECONDS, (RESPECTIVELY AT 80%, 65% OR 50% TAPS). THIS IS FOLLOWED BY AN OFF TIME OF 30 SECONDS FOR A MAXIMUM OF 3 STARTS, FOLLOWED BY A REST PERIOD OF ONE HOUR.
2. BULLETIN '700-F RELAYS' CAN BE PURCHASED THROUGH THE I/C CATALOG WITH CONTACT CONFIGURATION AS NEEDED. (REF: WIRING DIAGRAM FOR CONTACTS)



## BULLETIN 700 TYPE "P" CONTROL RELAY CROSS-REFERENCE

PART NUMBER	CATALOG NUMBER	CONTACT		TIMING UNIT ASSY	LATCH UNIT ASSY	COIL	
		N.O.	N.C.			PART NUMBER	VOLTS/HERTZ
40266-492-01	700-P600A1	6	--	NO	NO	PA236	*120/60
40266-492-02	700-P800A1	8	--	NO	NO		
40266-492-03	700-P1000A1	10	--	NO	NO		
40266-492-04	700-P1200A1	12	--	NO	NO		
40266-492-05	700-P200A24	2	--	NO	NO	PA013	24/60
40266-492-06	700-PPTA24	--	--	YES	NO		
40266-492-07	700-PT200A1	2	--	YES	NO	PA236	*120/60
40266-492-08	700-P400A1	4	--	NO	NO		
40266-492-09	700-PPTA1	--	--	YES	NO		
40266-492-10	700-PT400A1	4	--	YES	NO		
40266-492-11	700-PL200A1	2	--	NO	YES		
40266-492-12	700-PL400A1	4	--	NO	YES		
40266-492-13	700-PL600A1	6	--	NO	YES		
40266-492-14	700-P200A1	2	--	NO	NO		
40266-492-15	700-P200A4	2	--	NO	NO	PA273	480/60
40266-492-16	700-P200B3	2	--	NO	NO	PA354	380/50
40266-492-17	700-P400A20	4	--	NO	NO	PA249	208/60
40266-492-18	700-P200B22	2	--	NO	NO	PA339	220/50
40266-492-19	700-P800A4	8	--	NO	NO	PA273	480/60
40266-492-20	700-P400B11	4	--	NO	NO	PA322	@110/50
40266-492-21	700-P600A24	6	--	NO	NO	PA013	24/60
40266-492-22	700-P220A1	2	2	NO	NO	PA236	*120/60

\* OPTIMIZED FOR 115-120V, 60HZ. OPERATES SATISFACTORILY AT 110V, 50HZ.

@ OPTIMIZED FOR 110-115V, 50HZ. OPERATES SATISFACTORILY AT 120V, 60HZ.

### CONTACTS, SUPPRESSORS AND MISCELLANEOUS PARTS FOR 700 "P" RELAYS

PART NUMBER	CATALOG NUMBER	DESCRIPTION (NOTE: 1)
40266-589-01	700-CP1	N.O. CONTACT FOR 700P RELAY
40266-589-02	700-CP1	N.C. CONTACT FOR 700P RELAY
40266-590-01	700-CP11Z	OVERLAP CONTACT FOR 700P RELAY
40266-515-03	700-CPM	MASTER CONTACT CARTRIDGE FOR 700P RELAY
40266-455-01	700-CPR	LOGIC REED CARTRIDGE FOR 700P RELAY
40266-524-01	700-PLL11A1	LATCH UNIT, (1) NO/NC CONTACT, 120V COIL
40266-524-05	700-PLLA1	LATCH UNIT WITHOUT CONTACTS, 120V COIL
40266-524-13	700-PKLL11A1	LATCH UNIT, (1) NO/NC MASTER CONT, 120V
40266-574-01	700-PT	TIMING UNIT, WITH 1 N.O., 1 N.C. CONT.
-----	700-N5	SURGE SUPPRESSOR FOR MTG. UNDER RELAY
41025-490-01	700-N24	SURGE SUPPRESSOR MTG. ON COIL TERMINALS

**NOTES:**

1. CONTACTS ARE CONVERTIBLE FROM 'N.O.' TO 'N.C.' OR 'N.C.' TO 'N.O.', REFER TO I/C CATALOG "BUL: 700 CONTROL RELAYS" FOR MORE INFORMATION.

## STAB ASSEMBLY WIRE LENGTHS AND DESCRIPTIONS

PART NUMBER (NOTE: 1)	PHASE 1 WIRE LENGTH	PHASE 2 WIRE LENGTH	PHASE 3 WIRE LENGTH	WIRE		LUGS HOLE DIA.	NOTES 2, 3 & 4
				QTY	SIZE		
40120-410-01	7	7	7	1	8	N	
40120-410-02	8	6.5	8	1	4	5/16	OBSOLETE
40120-410-03	7.5	6.5	7	1	4	N	
40120-410-04	11	9	11	2	6	3/8	
40120-410-05	11.5	10	11.5	2	4	7/16	
40120-410-06	22	22	24	2	4	7/16	OBSOLETE
40120-410-07	11	9	11	2	4	7/16	OBSOLETE
40120-410-08	7.5/10	6.5/10	7/13	2	4	N	DUAL
40120-410-09	7.5	7.5	7.5	1	6	N	
40120-410-10	9	7.5	9	2	6	N	OBSOLETE (NOTE: 5)
40120-410-11	11	9	11	2	6	7/16	OBSOLETE
40120-410-12	-----	-----	-----	-	--	--	OBSOLETE
40120-410-13	-----	-----	-----	-	--	--	OBSOLETE
40120-410-14	-----	-----	-----	-	--	--	OBSOLETE
40120-410-15	-----	-----	-----	-	--	--	OBSOLETE
40120-410-16	-----	-----	-----	-	--	--	OBSOLETE
40120-410-17	-----	-----	-----	-	--	--	OBSOLETE
40120-410-18	11.5	9	11.5	2	4	5/16	OBSOLETE
40120-410-19	21.5	21.5	23.5	2	4	5/16	OBSOLETE
40120-410-20	11	9	11	2	6	5/16	
40120-410-21	15	15	13	2	4	1/2	OBSOLETE
40120-410-22	13	11.5	13	2	4	7/16	OBSOLETE
40120-410-23	13	11.5	13	2	4	5/16	OBSOLETE
40120-410-24	13	13	11.5	2	4	1/2	OBSOLETE
40120-410-25	11.5	10	11.5	2	4	3/8	OBSOLETE
40120-410-26	17	11.5	13	2	4	5/16	OBSOLETE
40120-410-27	7.5	6.5	7	2	6	N	
40120-410-28	7.5/11.5	6.5/10	7/13	4	6	N	DUAL
40120-410-29	9	7.5	9	2	6	N	OBSOLETE
40120-410-30	7.5/10.5	6.5/10	7/11.5	2	10	N	DUAL

**NOTES:**

1. A 1 OZ. TUBE OF 'NO-OX-ID' IS SUPPLIED WITH REPAIR STAB ASSEMBLIES.
2. IF NO STAB IS SUPPLIED ON UNIT, "INSERT SPACER" (40120-279-02) WILL BE USED. REQUIRES (2)M-8769 TAPTITES AND (2)M-2189 WASHERS TO MOUNT.
3. (#) IS WIRE SIZE, (Q) IS QUANTITY OF WIRES PER PHASE.
4. STAB IS MOUNTED TO UNIT WITH (2) 28171-140-09 (1/4-20 SCREWS), TORQUE MOUNTING SCREWS TO 55 LB-IN.
5. USE PART NUMBER 30110-313-05.

## STAB ASSEMBLY WIRE LENGTHS AND DESCRIPTIONS

PART NUMBER (NOTE: 1)	PHASE 1 WIRE LENGTH	PHASE 2 WIRE LENGTH	PHASE 3 WIRE LENGTH	WIRE		LUGS HOLE DIA.	NOTES 2, 3 & 4
				QTY	SIZE		
40120-410-31	15	11.5	13	2	4	7/16	LOWER STAB ASSY.
40120-410-32	6	5	6	1	4		90% LUG
40120-410-33	11.5	10	11.5	2	4	5/16	<b>OBSOLETE</b>
40120-410-34	13	11.5	13	2	4	5/16	<b>OBSOLETE</b>
40120-410-35	9.5	8	9.5	2	4	3/8	LOWER STAB ASSY.
40120-410-36	8.5	7	8.5	2	4	5/16	
40120-410-37	9.5	8	9.5	2	4	3/8	
40120-410-38	7	7	7	1	10	N	
40120-410-39	7.5/10.5	6.5/10	7/11.5	2	8	N	DUAL 2113 #2
40120-410-40	7.5/11.5	6.5/10	7/13	2	6	N	DUAL 2103 #2
40120-410-41	18	18	21	2	6	N	150A HORZ. BRKR.
40120-410-42	18	18	21	1	4	N	100A HORZ. BRKR.
40120-410-43	16	16	20	1	10	N	2412, 2413
40120-410-44	NO WIRE	5	10.5	1	10	N	<b>OBSOLETE</b>
40120-410-45	8/10.5	6/9.5	6.5/11.5	2	10	N	<b>OBSOLETE</b>
40120-410-46	7/10.5	5.5/10	7/11	2	6	N	<b>OBSOLETE</b>
40120-410-47	6.5/11	5.5/9.5	7/11	2	4	N	<b>OBSOLETE</b>
40120-410-48	8/8	6.5/7	8/8	2	6	3/8	
40120-410-49	8/8	6.5/6.5	8/8	2	4	5/16	<b>OBSOLETE</b>
40120-410-50	7.5	5.5	6.5	1	10	N	
40120-410-51	7.5	5.5	6.5	1	8	N	
40120-410-52	7.5/7.5	6.5/6.5	7/7	2	4	N	
40120-410-53	11/11	9/9	11/11	2	4	N	
40120-410-54	11.5/11.5	10/10	11.5/11.5	2	4	3/8	
40120-410-55	17/17	15/15	17/17	2	4	3/8	
40120-410-56	11.5	10	11.5	2	4	3/8	
40120-410-57	13	11.5	13	2	6	3/8	
40120-410-58	17	15	17	2	6	3/8	
40120-410-59	15	15	21	2	6	5/16	
40120-410-60	7.5	6.5	7	1	6	N	
40120-410-61	18	18	21	1	6	N	

**NOTES:**

1. A 1 OZ. TUBE OF 'NO-OX-ID' IS SUPPLIED WITH REPAIR STAB ASSEMBLIES.
2. IF NO STAB IS SUPPLIED ON UNIT, "INSERT SPACER" (40120-279-02) WILL BE USED. REQUIRES (2)M-8769 TAPTITES AND (2)M-2189 WASHERS TO MOUNT.
3. (#) IS WIRE SIZE, (Q) IS QUANTITY OF WIRES PER PHASE.
4. STAB IS MOUNTED TO UNIT WITH (2) 28171-140-09 (1/4-20 SCREWS), TORQUE MOUNTING SCREWS TO 55 LB-IN.

**DISCONNECT, FUSE BLOCK AND CLIPS FOR BUL: 2100 UNITS**

BUL: NUMBER	SIZE	INTERRUPTER DISCONNECT (NOTE: 1)	LINE VOLTAGE	FUSE CLIP		LINE CLIPS FUSE (NOTE: 2)	LOAD FUSE BLOCK (NOTE: 3)			
				SIZE	TYPE					
2102L	30A	40116-817-01	240	30	R	X-344411	40116-824-04			
			240/600		H		40116-824-01			
					600		J	X-344412	40116-824-02	
			R			40116-824-09				
			H			40116-824-38				
			60A		40120-493-01	240	30	R	X-344411	40116-825-29
	600	H		40116-825-22						
		240		J		40116-825-23				
	240/600			R		X-344412		40116-825-27		
				600				H-J	40116-825-23	
	R	40116-825-30								
	100A	40116-465-01				240	60	H	X-344413	40116-825-23
				240/600		J		40116-825-43		
						600		R		40116-825-28
				240				H	X-344412	40116-825-24
								600		R
						240/600				H
	200A	40120-563-01	240	100	J		X-344413	40116-464-02		
			600		R			40116-464-04		
					240/600	H-J		40116-464-02		
			600			R	X-341850	40116-464-06		
						240/600		H-J	40116-464-05	
					600			R	X-341850	40120-568-02
	240/600	H-J	40120-568-01							
600		R	X-341851	40120-568-04						
	240/600	H-J		40120-568-03						
		300A		40120-565-01	600	200	R	X-341851	40120-569-02	
240/600	H-J		40120-569-01							
	600		R		X-341852		40120-569-04			
240/600			H-J				40120-569-03			
			1				X-395314	240	30	R
240/600	H				40120-815-51 (NOTE: 4)					
	600	J		40120-815-53 (NOTE: 4)						
240		CC		40120-815-56 (NOTE: 4)						
		240/600		R	40120-815-64 (NOTE: 4)					
600	H			40120-815-52 (NOTE: 4)						
	1		X-395314	240	60	R	40120-815-65 (NOTE: 4)	40120-815-65 (NOTE: 4)		
		240/600		H		40120-815-54 (NOTE: 4)				
600				J		40120-815-56 (NOTE: 4)				
		240		CC		40120-815-66 (NOTE: 4)				
				240/600		R		40120-815-66 (NOTE: 4)		
600		H				40120-815-55 (NOTE: 4)				

**NOTES:**

1. UNIT WITH 100, 200 AND 400 AMP DISCONNECTS ARE THE NEW 'PCP' DESIGN.
2. REFERENCE CHART AT END OF LISTING FOR FUSE CLIP MOUNTING HARDWARE, ONE LINE FUSE CLIP REQUIRED PER PHASE.
3. INCLUDES ONE FUSE BLOCK AND THREE FUSE CLIPS WITH MOUNTING HARDWARE.
4. LINE AND LOAD FUSE CLIPS AND BLOCKS ARE INCLUDED AS ONE ASSEMBLY.

**DISCONNECT, FUSE BLOCK AND CLIPS FOR BUL: 2100 UNITS**

BUL: NUMBER	SIZE	INTERRUPTER DISCONNECT (NOTE: 1)	LINE VOLTAGE	FUSE CLIP		LINE CLIPS FUSE (NOTE: 2)	LOAD FUSE BLOCK (NOTE: 3)		
				SIZE	TYPE				
2106	2	X-395325	600	30	R	40120-857-64	(NOTE: 4)		
					H	40120-857-52	(NOTE: 4)		
					J	40120-857-75	(NOTE: 4)		
			240	60	R	40120-857-65	(NOTE: 4)		
					H	40120-857-53	(NOTE: 4)		
					J	40120-857-55	(NOTE: 4)		
			240/600	600	R	40120-857-66	(NOTE: 4)		
			600		H	40120-857-54	(NOTE: 4)		
					240	R	40120-857-67	(NOTE: 4)	
			240/600	100	H	40120-857-56	(NOTE: 4)		
					J	40120-857-57	(NOTE: 4)		
					R	40120-816-66	(NOTE: 4)		
	600	H	40120-816-55	(NOTE: 4)					
	3	40116-465-01	240/600	600	60	R	X-344413	40116-464-04	
					H-J	40116-464-02			
				200	R	X-341850	40116-464-06		
					H-J		40116-464-05		
				200	R	X-341851	40116-464-12		
					H		40116-464-11		
	J	40116-464-19							
	4	40120-563-01	240/600	600	100	R	X-341850	40120-568-02	
					H-J	40120-568-01			
				200	R	X-341851	40120-568-04		
					H-J		40120-568-03		
	400	H-J	X-341852	40120-568-11					
	5	40120-565-01	240/600	600	200	R	X-341851	40120-569-02	
					H-J	40120-569-01			
				400	R	X-341852	40120-569-04		
H-J					40120-569-03				
600	J	-----	40120-569-11						
2112	.5SF	41022-479-01	240/600	30	J	(NOTE: 5)	(NOTE: 6)		
		41022-483-01			CC				
	1	40116-817-01	240	30	R	X-344411	40116-824-04		
					H		40116-824-01		
					J		40116-824-02		
					X-395314	240/600	CC	40120-860-56	(NOTE: 4)
							R	X-344412	40116-824-09
							H		40116-824-38
		J	40116-824-02						
		40116-817-01	600	60	R	X-344412	40116-824-05		
					H		40116-824-02		
					J		40116-824-03		
					240/600	R	X-344413	40116-824-10	
						H		40116-824-02	
	J					40116-824-03			
	600	R	40116-824-10						
	H	40116-824-39							

**NOTES:**

1. UNIT WITH 100, 200 AND 400 AMP DISCONNECTS ARE THE NEW 'PCP' DESIGN.
2. REFERENCE CHART AT END OF LISTING FOR FUSE CLIP MOUNTING HARDWARE, ONE LINE FUSE CLIP REQUIRED PER PHASE.
3. INCLUDES ONE FUSE BLOCK AND THREE FUSE CLIPS WITH MOUNTING HARDWARE.
4. LINE AND LOAD FUSE CLIPS AND BLOCKS ARE INCLUDED AS ONE ASSEMBLY.
5. THE LINE FUSE CLIPS ARE INCLUDED ON DISCONNECT PART NUMBER.
6. THE LOAD FUSE BLOCK IS SUPPLIED AS PART OF THE DISCONNECT SWITCH.

**DISCONNECT, FUSE BLOCK AND CLIPS FOR BUL: 2100 UNITS**

BUL: NUMBER	SIZE	INTERRUPTER DISCONNECT (NOTE: 1)	LINE VOLTAGE	FUSE CLIP		LINE CLIPS FUSE (NOTE: 2)	LOAD FUSE BLOCK (NOTE: 3)
				SIZE	TYPE		
2112	2	40120-493-01	600	30	R	X-344412	40116-825-27
					H-J		40116-825-23
			240	60	R	X-344413	40116-825-30
					H		40116-825-23
			240/600		J		40116-825-43
			600		R		40116-825-28
			H		40116-825-24		
		40116-818-01	100	240	R	X-341850	40116-825-05
				H	40116-825-08		
		40120-493-01		J	40116-825-25		
		40116-818-01		R	40116-825-01		
	3	40116-465-01	600	60	R	X-344413	40116-464-04
					H-J		40116-464-02
			240/600	100	R	X-341850	40116-464-06
					H-J		40116-464-05
				200	R	X-341851	40116-464-12
					H		40116-464-11
		J	40116-464-19				
	4	40120-563-01	600	100	R	X-341850	40120-568-02
					H-J		40120-568-01
			240/600	200	R	X-341851	40120-568-04
					H-J		40120-568-03
		400	J	X-341852	40120-568-11		
	5	40120-565-01	600	200	R	X-341851	40120-569-02
					H		40120-569-01
			240/600	400	R	X-341852	40120-569-04
					H-J		40120-569-03
	600	J	-----	40120-569-11			
6	40116-491-01	240/600	400-800	ALL	(NOTE: 4)		
180A	40120-563-01	600	100	R	X-341850	40120-568-02	
				H		40120-568-01	
		240/600	200	R	X-341851	40120-568-04	
				H-J		40120-568-03	
	400	J	X-341852	40120-568-11			
320A	40120-565-01	600	200	R	X-341851	40120-569-02	
				H-J		40120-569-01	
		240/600	400	R	X-341852	40120-569-04	
				H-J		40120-569-03	
	600	J	-----	40120-569-11			
400A	40116-491-01	240/600	400-600	ALL	(NOTE: 4)		

**NOTES:**

1. UNIT WITH 100, 200 AND 400 AMP DISCONNECTS ARE THE NEW 'PCP' DESIGN.
2. REFERENCE CHART AT END OF LISTING FOR FUSE CLIP MOUNTING HARDWARE, ONE LINE FUSE CLIP REQUIRED PER PHASE.
3. INCLUDES ONE FUSE BLOCK AND THREE FUSE CLIPS WITH MOUNTING HARDWARE.
4. CONTACT MILWAUKEE PCP DIVISION FOR LINE/LOAD FUSE BLOCK PART NUMBERS.

**DISCONNECT, FUSE BLOCK AND CLIPS FOR BUL: 2100 UNITS**

BUL: NUMBER	SIZE	INTERRUPTER DISCONNECT (NOTE: 1)	LINE VOLTAGE	FUSE CLIP		LINE CLIPS FUSE (NOTE: 2)	LOAD FUSE BLOCK (NOTE: 3)
				SIZE	TYPE		
2122	1	40116-817-01	240	30	R	X-344411	40116-824-04
					H		
					J	X-344412	40116-824-02
		X-395314	240/600		CC		(NOTE: 4)
			600		R	X-344412	40116-824-05
				H-J	40116-824-02		
		40116-817-01	240	R	40116-824-05		
				H	X-344413	40116-824-02	
			600	J		40116-824-03	
				R		40116-824-06	
			H-J		40116-824-03		
	2	40120-493-01	600	30	R	X-344412	40116-825-27
					H-J		
			240	60	R	X-344413	40116-825-45
			240/600		H		40116-825-23
		600	J	40116-825-35			
				R	X-341850	40116-825-44	
		40116-818-01	240	H		40116-825-43	
				R	(NOTE: 4)	40116-825-01	
				H-J		40116-825-08	
		X-395325	600	R		40120-816-66	
			H	40120-816-55			
	40116-818-01		J	X-341850	40116-825-08		
	3	40116-465-01	600	60	R	X-344413	40116-464-04
					H-J		
			240/600	100	R	X-341850	40116-464-06
					H-J		
				200	R	X-341851	40116-464-12
					H		
			J		40116-464-19		
	4	40120-563-01	600	100	R	X-341850	40120-568-02
					H-J		
			240/600	200	R	X-341851	40120-568-04
					H-J		
		400	J	X-341852	40120-568-11		
	5	40120-565-01	600	200	R	X-341851	40120-569-02
					H		
			240/600	400	R	X-341852	40120-569-04
					H-J		
		600	J	-----	40120-569-11		

**NOTES:**

1. UNIT WITH 100, 200 AND 400 AMP DISCONNECTS ARE THE NEW 'PCP' DESIGN.
2. REFERENCE CHART AT END OF LISTING FOR FUSE CLIP MOUNTING HARDWARE, ONE LINE FUSE CLIP REQUIRED PER PHASE.
3. INCLUDES ONE FUSE BLOCK AND THREE FUSE CLIPS WITH MOUNTING HARDWARE.
4. LINE AND LOAD FUSE CLIPS AND BLOCKS ARE INCLUDED AS ONE ASSEMBLY.
5. CONTACT MILWAUKEE PCP DIVISION FOR LINE/LOAD FUSE BLOCK PART NUMBERS.

**DISCONNECT, FUSE BLOCK AND CLIPS FOR BUL: 2100 UNITS**

BUL: NUMBER	SIZE	INTERRUPTER DISCONNECT (NOTE: 1)	LINE VOLTAGE	FUSE CLIP		LINE CLIPS FUSE (NOTE: 2)	LOAD FUSE BLOCK (NOTE: 3)	
				SIZE	TYPE			
2172	2	40120-493-01	600	30	R	X-344412	40116-825-27	
					H-J		40116-825-23	
			240	60	R		40116-825-45	
					H		40116-825-23	
		240/600	J	X-344413	40116-825-35			
		600	R		40116-825-44			
			H		40116-825-43			
			R		X-341850	40116-825-01		
	40116-818-01	240/600	100	H-J		40116-825-08		
	3	40116-465-01	600	60	R	X-344413	40116-464-04	
							H-J	40116-464-02
			240/600	100	R	X-341850	40116-464-06	
							H-J	40116-464-05
		240/600	200	R	X-341851	40116-464-12		
						H	40116-464-11	
						J	40116-464-19	
	4	40120-563-01	600	100	R	X-341850	40120-568-02	
					H-J		40120-568-01	
			240/600	200	R	X-341851	40120-568-04	
			H-J		40120-568-03			
			J		X-341852		40120-568-11	
		5	40120-565-01	600	200	R	X-341851	40120-569-02
				H-J		40120-569-01		
240/600	400		R	X-341852	40120-569-04			
					H-J	40120-569-03		
					J	40120-569-11		
2192F	30	40116-817-01	240	30	R	X-344411	40116-824-04	
OPTION 110	110	X-395314				(NOTE: 4)	40120-815-63	
DUAL	30	40116-494-10				(NOTE: 5)	(NOTE: 6)	
2192F	30	40116-817-01			H	X-344411	40116-824-01	
OPTION 110	110	X-395314				(NOTE: 4)	40120-815-51	
DUAL	30	25138-102-02				(NOTE: 5)	(NOTE: 6)	
2192F	30	40116-817-01		J	X-344412	40116-824-36		
OPTION 110	110	X-395314			(NOTE: 4)	40120-815-60		
DUAL	30	25138-102-03			(NOTE: 5)	(NOTE: 6)		
2192F	30	40116-817-01		600	30	R	X-344412	40116-824-11
OPTION 110	110	X-395314					(NOTE: 4)	40120-815-68
DUAL	30	25138-101-01					(NOTE: 5)	40116-824-11
2192F	30	40116-817-01				H	X-344412	40116-824-35
OPTION 110	110	X-395314					(NOTE: 4)	40120-815-59
DUAL	30	25138-101-01					(NOTE: 5)	40116-824-35
2192F	30	40116-817-01			J	X-344412	40116-824-36	
OPTION 110	110	X-395314				(NOTE: 4)	40120-815-60	
DUAL	30	25138-102-03				(NOTE: 5)	(NOTE: 6)	

**NOTES:**

1. UNIT WITH 100, 200 AND 400 AMP DISCONNECTS ARE THE NEW 'PCP' DESIGN.
2. REFERENCE CHART AT END OF LISTING FOR FUSE CLIP MOUNTING HARDWARE, ONE LINE FUSE CLIP REQUIRED PER PHASE.
3. INCLUDES ONE FUSE BLOCK AND THREE FUSE CLIPS WITH MOUNTING HARDWARE.
4. LINE AND LOAD FUSE CLIPS AND BLOCKS ARE INCLUDED AS ONE ASSEMBLY.
5. THE LINE FUSE CLIPS ARE INCLUDED ON DISCONNECT PART NUMBER.
6. THE LOAD FUSE BLOCK IS SUPPLIED AS PART OF THE DISCONNECT SWITCH.



**DISCONNECT, FUSE BLOCK AND CLIPS FOR BUL: 2100 UNITS**

BUL: NUMBER	SIZE	LINE VOLTAGE	FUSE CLIP		INTERRUPTER DISCONNECT (NOTE: 1)	LINE CLIPS FUSE (NOTE: 2)	LOAD FUSE BLOCK (NOTE: 3)	
			SIZE	TYPE				
2192F	60	240	60	R	40120-493-01	X-344412	40116-825-45	
OPTION	110				X-395325	(NOTE: 4)	40120-816-63	
DUAL	60				40120-495-10	(NOTE: 5)	(NOTE: 6)	
2192F	60			H	40120-493-01	X-344412	40116-825-23	
OPTION	110				X-395325	(NOTE: 4)	40120-816-51	
DUAL	60				25138-102-04	(NOTE: 5)	(NOTE: 6)	
2192F	60	240/600	60	J	40120-493-01	X-344413	40116-825-35	
OPTION	110			X-395325	(NOTE: 4)	40120-816-53		
DUAL	60	600	60	R	25138-102-05	(NOTE: 5)	(NOTE: 6)	
2192F	60				40120-493-01	X-344413	40116-825-31	
OPTION	110				X-395325	(NOTE: 4)	40120-816-67	
DUAL	60			H	25138-101-02	(NOTE: 5)	40116-825-31	
2192F	60				40120-493-01	X-344413	40116-825-26	
OPTION	110				X-395325	(NOTE: 4)	40120-816-52	
DUAL	60	25138-101-02	(NOTE: 5)	40116-825-26				
2192F	100	240/600	100	R	40116-465-01	X-341850	40116-464-10	
DUAL		240			40116-496-02	(NOTE: 5)	(NOTE: 6)	
DUAL		600			40116-496-05	(NOTE: 5)	(NOTE: 6)	
2192F		240/600		240/600	H-J	40116-465-01	X-341850	40116-464-09
DUAL					25138-102-01	(NOTE: 5)	(NOTE: 6)	
2192F	200	240/600	200	R	40120-563-01	X-341851	40120-568-04	
	400	240/600	400	H-J	40120-565-01	X-341852	40120-568-03	
				R			40120-569-04	
	600	240/600	600	H-J	40116-491-01	(NOTE: 7)	40120-569-03	
	800			ALL	40116-491-01			
25" B TO B	800			L	40116-491-02			
2192F	1200	240/600	1200	L	40116-491-03	(NOTE: 7)		
25" B TO B								

**NOTES:**

1. UNIT WITH 100, 200 AND 400 AMP DISCONNECTS ARE THE NEW 'PCP' DESIGN.
2. REFERENCE CHART AT END OF LISTING FOR FUSE CLIP MOUNTING HARDWARE, ONE LINE FUSE CLIP REQUIRED PER PHASE.
3. INCLUDES ONE FUSE BLOCK AND THREE FUSE CLIPS WITH MOUNTING HARDWARE.
4. LINE AND LOAD FUSE CLIPS AND BLOCKS ARE INCLUDED AS ONE ASSEMBLY.
5. THE LINE FUSE CLIPS ARE INCLUDED ON DISCONNECT PART NUMBER.
6. THE LOAD FUSE BLOCK IS SUPPLIED AS PART OF THE DISCONNECT SWITCH.
7. CONTACT MILWAUKEE PCP DIVISION FOR LINE/LOAD FUSE BLOCK PART NUMBERS.

**DISCONNECT, FUSE BLOCK AND CLIPS FOR BUL: 2100 UNITS**

BUL: NUMBER	SIZE	LINE VOLTAGE	FUSE CLIP		INTERRUPTER DISCONNECT (NOTE: 1)	LINE FUSE CLIPS (NOTE: 2)	LOAD FUSE BLOCK (NOTE: 3)
			SIZE	TYPE			
2192M	30	240	30	R	40116-817-01	X-344411	40116-824-04
				H			40116-824-01
		240/600		J		X-344412	40116-824-36
				R			40116-824-07
		600		H			40116-824-36
	60	240	60	R	40120-493-01	X-344412	40116-825-45
				H			40116-825-23
		240/600		J		X-344413	40116-825-35
				R			40116-825-36
		600		H			40116-825-35
	100	240/600	100	R	40116-465-01	X-341850	40116-464-08
				H-J			40116-464-07
	200	240/600	200	R	40120-563-01	X-341851	40120-568-04
				H-J			40120-568-03
	400	240	400	R	40120-565-01	X-341852	40120-569-04
				H			40120-569-03
		240/600		J			40120-569-03
				R			40120-569-04
		600		H			40120-569-03
	600	240/600	600	ALL	40116-491-02		(NOTE: 4)
800	800		L				
25" B TO B	1200			40116-491-03			
2192M	1200						
25" B TO B							

**NOTES:**

1. UNIT WITH 100, 200 AND 400 AMP DISCONNECTS ARE THE NEW 'PCP' DESIGN.
2. REFERENCE CHART AT END OF LISTING FOR FUSE CLIP MOUNTING HARDWARE, ONE LINE FUSE CLIP REQUIRED PER PHASE.
3. INCLUDES ONE FUSE BLOCK AND THREE FUSE CLIPS WITH MOUNTING HARDWARE.
4. CONTACT MILWAUKEE PCP DIVISION FOR LINE/LOAD FUSE BLOCK PART NUMBERS.

**DISCONNECT, FUSE BLOCK AND CLIPS FOR BUL: 2400 UNITS**

S.F	BUL: NUMBER	AMPS	LINE VOLTS	FUSE CLIP		INTERRUPTER DISCONNECT (NOTE: 1)	LINE FUSE CLIPS (NOTE: 2)	LOAD FUSE BLOCK (NOTE: 3)		
				SIZE	TYPE					
.5	2402	30	480	30	J	41022-479-01	(NOTE: 5)	(NOTE: 6)		
		60			CC	41022-483-01				
.5		18-24	480	30	J	41022-479-01	(NOTE: 5)	(NOTE: 6)		
		18			CC	41022-483-01	(NOTE: 5)	(NOTE: 6)		
1.0	2406	18-24	480	30	J	40116-817-01	X-344413	40116-824-03		
		24			CC	X-395314	(NOTE: 4)	40120-860-56		
		30			J	40120-493-01	X-344412	40116-825-23		
		30/45					100	X-344413	40116-825-43	
1.5		38	480	30	J	X-395325	(NOTE: 4)	40120-857-75		
								60	40120-857-55	
								100	40120-857-57	
2.0		45	480	30-60	J	40120-493-01	X-344413	40116-825-24		
								60	X-344413	40116-464-02
								100	X-341850	40116-464-05
.5	2412	18-24	480	30	J	41022-479-01	(NOTE: 5)	(NOTE: 6)		
		18			CC	41022-483-01				
		18-24			30	J			40116-817-01	X-344413
24	CC	X-395314	(NOTE: 4)	40120-860-56						
1.0		30-45	480	60	J	40120-493-01	X-344413	40116-825-23		
								100	X-344413	40116-825-43
								200	X-341850	40116-825-25
1.5		60-75	480	60	J	40116-465-01	X-344413	40116-464-02		
								100	X-341850	40116-464-05
								200	X-341851	40116-464-19
.5	2192F	30	480	30	CC	41022-483-01	(NOTE: 5)	(NOTE: 6)		
					J	41022-479-01				

**NOTES:**

1. UNIT WITH 100, 200 AND 400 AMP DISCONNECTS ARE THE NEW 'PCP' DESIGN.
2. REFERENCE CHART AT END OF LISTING FOR FUSE CLIP MOUNTING HARDWARE, ONE LINE FUSE CLIP REQUIRED PER PHASE.
3. INCLUDES ONE FUSE BLOCK AND THREE FUSE CLIPS WITH MOUNTING HARDWARE.
4. LINE AND LOAD FUSE CLIPS AND BLOCKS ARE INCLUDED AS ONE ASSEMBLY.
5. THE LINE FUSE CLIPS ARE INCLUDED ON DISCONNECT PART NUMBER.
6. THE LOAD FUSE BLOCK IS SUPPLIED AS PART OF THE DISCONNECT SWITCH.

**LINE/LOAD FUSE CLIP PART NUMBERS AND MOUNTING HARDWARE**

FUSE CLIP PART NUMBER	MOUNTING SCREW		LOCK WASHER		DESCRIPTION	I/C PART NUMBER (NOTE:1)
	QTY	PART NUMBER	QTY	PART NUMBER		
X-344411	1	M-6868	N/A	----	30A,240V	1401-N41
X-344412	1	M-6868	N/A	----	60A,240V,30A,600V	1401-N42
X-344413	1	M-6868	N/A	----	60A,600V	1401-N43
X-341850	2	M-2245	2	M-1100	100A,240/600V'H'CLIP	1401-N44
40023-052-51	2	28035-003-07	2	M-1100	100A,240/600V'R'CLIP	-----
X-341851	2	M-2245	2	M-1100	200A,240/600V'H'CLIP	1401-N45
40023-052-52	2	28035-003-07	2	M-1100	200A,240/600V'R'CLIP	-----
X-341852	2	M-4087	2	M-103	400A,240/600V'H'CLIP	1401-N46
40023-052-53	2	28169-105-26	2	M-103	400A,240/600V'R'CLIP	-----
40115-426-51	2	M-2185	2	M-2280	600A,240/600V'H'CLIP	-----
40115-426-52	2	M-2185	2	M-2280	600A,240/600V'R'CLIP	-----

REPLACEMENT WEDGES FOR 100 AMP TO 600 AMP FUSE CLIPS			
WEDGE NUMBER	SCREW NUMBER	DESCRIPTION (NOTE: 2)	TORQUE
40023-108-02	40023-110-02	WEDGE FOR 100 AMP FUSE CLIPS	30 LB-IN
40023-108-02	40023-110-04	WEDGE FOR 200 AMP FUSE CLIPS	30 LB-IN
40023-109-02	40023-111-02	WEDGE FOR 400/600A FUSE CLIPS	45 LB-IN

MOUNTING HARDWARE FOR 30 AMP TO 600 AMP FUSE CLIPS		
PART NBR	DESCRIPTION	TORQUE
M-103	LOCK WASHER, 3/16" (#10 SCREW)	-----
M-1100	LOCK WASHER, 5/32" (#8 SCREW) (.170 ID, .293 OD)	-----
M-2185	HEXAGON HEAD CAP SCREW, 1/4-20 X 7/8"	45 LB-IN
M-2245	FILLISTER HEAD MACH. SCREW, 8-32 X 7/16"	20 LB-IN
M-2280	FLAT WASHER, 1/8" (.144" ID, .34375" OD)	-----
M-4087	FILLISTER HEAD MACH. SCREW, 10-32 X 5/8"	30 LB-IN
M-6868	PAN HEAD MACH. SCREW, TENSIL-LOCK, 10-32 X 15/64"	30 LB-IN

BOLT SIZE AND TORQUE OF LINE CONNECTION ON DISCONNECTS			
DESCRIPTION	CONNECTION	TORQUE	WIRE RANGE
30 AMP 'I/C' DESIGN DISCONNECT	MECHANICAL	20 LB-IN	#14-6
30 AMP DUAL DISCONNECT	MECHANICAL	LB-IN	#14-6
60 AMP 'I/C' DESIGN DISCONNECT	MECHANICAL	45 LB-IN	#14-4
60 AMP DUAL DISCONNECT	MECHANICAL	LB-IN	#14-4
100 AMP 'PCP' DESIGN DISCONNECT	1/4" BOLT	45 LB-IN	-----
100 AMP DUAL DISCONNECT	MECHANICAL	LB-IN	#14-1/0
200 AMP 'PCP' DESIGN DISCONNECT	5/16" BOLT	150 LB-IN	-----
400 AMP 'PCP' DESIGN DISCONNECT	3/8" BOLT	240 LB-IN	-----
600 AMP BOLTED PRESSURE SWITCH	1/2" BOLT	540 LB-IN	-----
800 AMP BOLTED PRESSURE SWITCH	1/2" BOLT	540 LB-IN	-----
1200 AMP BOLTED PRESSURE SWITCH	1/2" BOLT	540 LB-IN	-----

**NOTES:**

- I/C PART NUMBERS INCLUDE 6 FUSE CLIPS AND MOUNTING HARDWARE.
- THE WEDGE ASSY CONSISTS OF A RETAINING SCREW AND FUSE CLIP WEDGE.

## REPLACEMENT DISCONNECTS AND BOLTED PRESSURE SWITCHES

PART NUMBER	DESCRIPTION	CATALOG NUMBER
41022-483-01	30 AMP FUSED DISC., CLASS 'CC' (BUL:2400)	194R-NC030P3
41022-479-01	30 AMP FUSED DISC., CLASS 'J' (BUL:2400)	194R-NJ030P3
X-395314	30 AMP UNFUSED DISCONNECT	1494F-N30
25138-101-01	30A/600V DISCONNECT FOR 2192F DUAL	-----
25138-101-03	30A/250V DISCONNECT FOR 2192F DUAL	-----
40116-817-01	30 AMP DISC. DIRECT MOUNT FUSE CLIPS	1494F-NF30
X-395325	60 AMP UNFUSED DISCONNECT	1494F-N60
25138-101-02	60A/600V DISC., 2192F DUAL (NO FUSE BLOCK)	-----
25138-102-05	60A/600V DISC., 2192F DUAL (W/ FUSE BLOCK)	-----
25138-101-04	60A/250V DISC., 2193F DUAL (NO FUSE BLOCK)	-----
25138-102-04	60A/250V DISC., 2193F DUAL (W/ FUSE BLOCK)	-----
40116-818-01	60A DISC., DIRECT MTG. FUSE CLIPS(WIDE)	1494F-NF60
40120-493-01	60A DISC., DIRECT MTG. FUSE CLIPS(STD.)	-----
X-394882	100A DISC., (I/C DESIGN) (SER."E"TO"H")	1494F-NF100
25138-102-01	100A/250-600V DISC, 2192 DUAL, W/FUSE BLOCK	-----
40116-465-01	100A DISC., (PCP DESIGN)(SER."J"AND UP)	-----
X-394781	200A DISC., (I/C DESIGN) (SER."E"TO"M")	1494F-NF200
40120-563-01	200A DISC., (PCP DESIGN)(SER."N"AND UP)	-----
40399-450-06	400A DISC., (I/C DESIGN) (SER."E"TO"M")	1494V-DS400
40120-565-01	400A DISC., (PCP DESIGN)(SER."N"AND UP)	-----
40116-491-02	600A TO 800A BOLTED PRESSURE SWITCH	-----
40116-491-03	1200 AMP BOLTED PRESSURE SWITCH	-----

## LINE TERMINAL GUARDS FOR DISCONNECTS AND B.P.S.

PART NUMBER	DESCRIPTION
40021-179-52	30 AMP TO 100 AMP DISCONNECTS
40116-371-02	200 AMP DISCONNECTS (PCP DESIGN)
40116-371-03	200 AMP DISCONNECTS (I/C DESIGN)
40116-470-01	600A TO 1200A TOP MAIN BOLTED PRESSURE SWITCH
40116-470-02	600A TO 1200A STARTER UNITS W/BOLTED PRESSURE SWITCH
40116-470-03	600A TO 1200A BOTTOM FEEDER W/BOLTED PRESSURE SWITCH
40116-470-04	1200A TOP FEEDERS WITH BOLTED PRESSURE SWITCH
40116-470-05	600A TO 1200A BOTTOM MAIN BOLTED PRESSURE SWITCH
40116-470-06	600A TO 1200A TOP FEEDER BOLTED PRESSURE SWITCH

**ALLEN-BRADLEY TO CUTLER-HAMMER (Westinghouse) BREAKER  
CROSS-REFERENCE**

A-B PART NUMBER	C-H CATALOG NO.	CONT. AMP RATING	INSTANTANEOUS TRIP RATING		A-B PART NUMBER	C-H CATALOG NO.
			MIN.	MAX.		
WITHOUT INTERNAL AUX.			WITH NO/NC INT.AUX. 98X			
<b>`GMCP' 63 AMP FRAME MOTOR CIRCUIT PROTECTOR ("G" FRAME)</b>						
25102-001-01	GMCP003A0C	3	15	30	25102-002-01	GMCP003A0CA3
25102-001-02	GMCP007C0C	7	35	70	25102-002-02	GMCP007C0CA3
25102-001-03	GMCP015E0C	15	75	150	25102-002-03	GMCP015E0CA3
25102-001-04	GMCP030H1C	30	150	300	25102-002-04	GMCP030H1CA3
25102-001-05	GMCP050K2C	50	250	500	25102-002-05	GMCP050K2CA3
25102-001-06	GMCP063M2C	63	315	630	25102-002-06	GMCP063M2CA3
<b>`HMCP' 150 AMP FRAME MOTOR CIRCUIT PROTECTOR ("F" FRAME)</b>						
25102-258-01	HMCP003A0C	3	9	30	25107-806-01	6638C14G03
25102-258-02	HMCP007C0C	7	21	70	25107-806-02	6638C14G05
25102-258-03	HMCP015E0C	15	45	150	25107-806-03	6638C14G07
25102-258-04	HMCP030H1C	30	90	300	25107-806-04	6638C14G11
25102-258-05	HMCP050K2C	50	150	500	25107-806-05	6638C14G15
25102-258-06	HMCP100R3C	100	300	1000	25107-806-06	6638C14G19
25102-258-07	HMCP150T4C	150L	450	1500	25107-806-07	6638C14G20
25102-258-08	HMCP150U4C	150H	750	2500	25107-806-08	6638C14G21
<b>`HMCPs' 150 AMP FRAME MOTOR CIRCUIT PROTECTOR ("F" FRAME) (NOTE: 1)</b>						
25102-258-13	HMCPs003A0C	3	9	30	25107-806-13	HMCPs003A0CA02
25102-258-12	HMCPs007C0C	7	21	70	25107-806-12	HMCPs007C0CA02
25102-258-14	HMCPs015E0C	15	45	150	25107-806-14	HMCPs015E0CA02
25102-258-15	HMCPs030H1C	30	90	300	25107-806-15	HMCPs030H1CA02
25102-258-16	HMCPs050K2C	50	150	500	25107-806-16	HMCPs050K2CA02
25102-258-17	HMCPs100R3C	100	300	1000	25107-806-17	HMCPs100R3CA02

ALLEN-BRADLEY PART NUMBER	CUTLER-HAMMER CATALOG NUMBER	CONTINUOUS AMP RATING	INSTANTANEOUS TRIP SET	
			LOW	HI
<b>`HMCP' 250 AMP FRAME MOTOR CIRCUIT PROTECTOR ("J" FRAME)</b>				
25102-321-01	HMCP250J5W	250	875	1750
25102-321-02	HMCP250W5W	250	1250	2500
25102-321-03	HMCP250D5W	250	500	1000
25102-321-04	HMCP250G5W	250	750	1500
<b>`HMCP' 400 AMP FRAME MOTOR CIRCUIT PROTECTOR ("K" FRAME)</b>				
25102-353-01	HMCP400X5W	400	2000	4000
25102-353-02	HMCP400W5W	400	1250	2500
25102-353-03	HMCP400Y5W	400	2250	4500
<b>`HMCP' 600 AMP FRAME MOTOR CIRCUIT PROTECTOR ("L" FRAME)</b>				
25103-412-01	HMCP600L5W	600	3000	6000

**NOTES:**

1. Breaker has extra internal current limiting resistor. Used on 600V and special applications.

**ALLEN-BRADLEY TO CUTLER-HAMMER (Westinghouse) BREAKER  
CROSS-REFERENCE**

ALLEN-BRADLEY PART NUMBER	CUTLER-HAMMER CATALOG NUMBER	CONTINUOUS AMP RATING	ALLEN-BRADLEY PART NUMBER	CUTLER-HAMMER CATALOG NUMBER
WITHOUT INTERNAL AUX.			WITH NO/NC INT.AUX. 98X	
<b>\GHC' 100 AMP FRAME THERMAL MAGNETIC BREAKER ("G" FRAME)</b>				
25105-206-01	GHC3015	15	25105-207-01	GHC3015A3
25105-206-02	GHC3020	20	25105-207-02	GHC3020A3
25105-206-04	GHC3030	30	25105-207-04	GHC3030A3
25105-206-06	GHC3040	40	25105-207-06	GHC3040A3
25105-206-08	GHC3050	50	25105-207-08	GHC3050A3
25105-206-09	GHC3060	60	25105-207-09	GHC3060A3
25105-206-10	GHC3070	70	25105-207-10	GHC3070A3
25105-206-11	GHC3080	80	25105-207-11	GHC3080A3
25105-206-13	GHC3100	100	25105-207-13	GHC3100A3
<b>\FDB' 150 AMP FRAME THERMAL MAGNETIC BREAKER ("F" FRAME)</b>				
25105-265-01	FDB3015L	15	25107-807-01	N/A
25105-265-02	FDB3020L	20	25107-807-02	N/A
25105-265-04	FDB3030L	30	25107-807-04	N/A
25105-265-06	FDB3040L	40	25107-807-06	N/A
25105-265-07	FDB3050L	50	25107-807-07	N/A
25105-265-08	FDB3060L	60	25107-807-08	N/A
25105-265-09	FDB3070L	70	25107-807-09	N/A
25105-265-16	FDB3080L	80	25107-807-16	N/A
25105-265-10	FDB3090L	90	25107-807-10	N/A
25105-265-11	FDB3100L	100	25107-807-11	N/A
25105-265-12	FDB3125L	125	25107-807-12	N/A
25105-265-13	FDB3150L	150	25107-807-13	N/A

ALLEN- BRADLEY PART NUMBER	C-H CATALOG NUMBER	AMPS	ALLEN- BRADLEY PART NUMBER	C-H CATALOG NUMBER	ALLEN- BRADLEY PART NUMBER	C-H CATALOG NUMBER
<b>\FD' 150 AMP FRAME</b>			<b>\HFD' 150 AMP FRAME</b>		<b>\FDC' 150 AMP FRAME</b>	
25105-264-01	FD3015L	15	25105-263-01	HFD3015L	25105-262-01	FDC3015L
25105-264-02	FD3020L	20	25105-263-02	HFD3020L	25105-262-02	FDC3020L
25105-264-04	FD3030L	30	25105-263-04	HFD3030L	25105-262-04	FDC3030L
25105-264-06	FD3040L	40	25105-263-06	HFD3040L	25105-262-06	FDC3040L
25105-264-07	FD3050L	50	25105-263-07	HFD3050L	25105-262-07	FDC3050L
25105-264-08	FD3060L	60	25105-263-08	HFD3060L	25105-262-08	FDC3060L
25105-264-09	FD3070L	70	25105-263-09	HFD3070L	25105-262-09	FDC3070L
25105-264-16	FD3080L	80	25102-263-16	HFD3080L	25105-262-16	FDC3080L
25105-264-10	FD3090L	90	25102-263-10	HFD3090L	25105-262-10	FDC3090L
25105-264-11	FD3015L	100	25105-263-11	HFD3100L	25105-262-11	FDC3100L
25105-264-12	FD3015L	125	25105-263-12	HFD3125L	25105-262-12	FDC3125L
25105-264-13	FD3015L	150	25105-263-13	HFD3150L	25105-262-13	FDC3150L

**ALLEN-BRADLEY TO CUTLER-HAMMER (Westinghouse) BREAKER  
CROSS-REFERENCE**

ALLEN-BRADLEY PART NUMBER	CUTLER-HAMMER CATALOG NUMBER	CONTINUOUS AMP RATING	INSTANTANEOUS TRIP SET	
			LOW	HI
<b>`HMCP' 250 AMP FRAME MOTOR CIRCUIT PROTECTOR ("J" FRAME)</b>				
25102-321-01	HMCP250J5W	250	875	1750
25102-321-02	HMCP250W5W	250	1250	2500
25102-321-03	HMCP250D5W	250	500	1000
25102-321-04	HMCP250G5W	250	750	1500
<b>`JDB' 250 AMP FRAME THERMAL MAGNETIC BREAKER ("J" FRAME)</b>				
25104-348-01	JDB3070W	70	350	700
25104-348-02	JDB3090W	90	450	900
25104-348-03	JDB3100W	100	500	1000
25104-348-04	JDB3120W	120	625	1250
25104-348-05	JDB3150W	150	750	1500
25104-348-06	JDB3175W	175	875	1750
25104-348-07	JDB3200W	200	1000	2000
25104-348-08	JDB3225W	225	1125	2250
25104-348-09	JDB3250W	250	1250	2500
<b>`JDC' 250 AMP FRAME THERMAL MAGNETIC BREAKER ("J" FRAME)</b>				
25104-347-02	JDC3090W	90	450	900
25104-347-03	JDC3100W	100	500	1000
25104-347-05	JDC3150W	150	750	1500
25104-347-06	JDC3175W	175	875	1750
25104-347-07	JDC3200W	200	1000	2000
25104-347-08	JDC3225W	225	1125	2250
25104-347-09	JDC3250W	250	1250	2500
<b>`HJD' 250 AMP FRAME THERMAL MAGNETIC BREAKER ("J" FRAME)</b>				
25104-346-01	HJD3070W	70	350	700
25104-346-02	HJD3090W	90	450	900
25104-346-03	HJD3100W	100	500	1000
25104-346-04	HJD3125W	125	625	1250
25104-346-05	HJD3150W	150	750	1500
25104-346-06	HJD3175W	175	875	1750
25104-346-07	HJD3200W	200	1000	2000
25104-346-08	HJD3225W	225	1125	2250
25104-346-09	HJD3250W	250	1250	2500



**ALLEN-BRADLEY TO CUTLER-HAMMER (Westinghouse) BREAKER  
CROSS-REFERENCE**

ALLEN-BRADLEY PART NUMBER	CUTLER-HAMMER CATALOG NUMBER	CONTINUOUS AMP RATING	INSTANTANEOUS TRIP SET	
			LOW	HI
<b>'HMCP' 400 AMP FRAME MOTOR CIRCUIT PROTECTOR ("K" FRAME)</b>				
25102-353-01	HMCP400X5W	400	2000	4000
25102-353-02	HMCP400W5W	400	1250	2500
25102-353-03	HMCP400Y5W	400	2250	4500
<b>'KDB' 400 AMP FRAME THERMAL MAGNETIC BREAKER ("K" FRAME)</b>				
25104-369-04	KDB3125W	125	625	1250
25104-369-05	KDB3150W	150	750	1500
25104-369-06	KDB3175W	175	875	1750
25104-369-07	KDB3200W	200	1000	2000
25104-369-08	KDB3225W	225	1125	2250
25104-369-09	KDB3250W	250	1250	2500
25104-369-10	KDB3300W	300	1500	3000
25104-369-11	KDB3350W	350	1750	3500
25104-369-12	KDB3400W	400	2000	4000
<b>'KDC' 400 AMP FRAME THERMAL MAGNETIC BREAKER ("K" FRAME)</b>				
25104-368-04	KDC3125W	125	625	1250
25104-368-05	KDC3150W	150	750	1500
25104-368-06	KDC3175W	175	875	1750
25104-368-07	KDC3200W	200	1000	2000
25104-368-08	KDC3225W	225	1125	2250
25104-368-09	KDC3250W	250	1250	2500
25104-368-10	KDC3300W	300	1500	3000
25104-368-11	KDC3350W	350	1750	3500
25104-368-12	KDC3400W	400	2000	4000
<b>'KD' 400 AMP FRAME THERMAL MAGNETIC BREAKER ("K" FRAME)</b>				
25104-367-04	HKD3125W	125	625	1250
25104-367-05	HKD3150W	150	750	1500
25104-367-06	HKD3175W	175	875	1750
25104-367-07	HKD3200W	200	1000	2000
25104-367-08	HKD3225W	225	1125	2250
25104-367-09	HKD3250W	250	1250	2500
25104-367-10	HKD3300W	300	1500	3000
25104-367-11	HKD3350W	350	1750	3500
25104-367-12	HKD3400W	400	2000	4000

**ALLEN-BRADLEY TO CUTLER-HAMMER (Westinghouse) BREAKER  
CROSS-REFERENCE**

ALLEN-BRADLEY PART NUMBER	CUTLER-HAMMER CATALOG NUMBER	CONTINUOUS AMP RATING	INSTANTANEOUS TRIP SET	
			LOW	HI
<b>'HMCP' 600 AMP FRAME MOTOR CIRCUIT PROTECTOR ("L" FRAME)</b>				
25103-412-01	HMCP600L5W	600	3000	6000

<b>SELTRONIC 600A "LD" FRAME BREAKER W/DIGITRIP 310 TRIP</b>				
ALLEN-BRADLEY PART NUMBER	CUTLER-HAMMER CATALOG NUMBER	CONTINUOUS AMP RATING	MINIMUM TRIP RATING	NOTES
25103-406-01	LDB3600FT33W	600	300	STANDARD FRAME
25103-406-02	HLDB3600FT33	600	300	HI-INTERRUPTING
25103-406-03	LD3600KW	600	*	HI-MAG MOLDED CASE SWITCH
25103-406-04	LDCB3600FT33W	600	*	CURRENT LIMITING SWITCH
25103-407-01	LDB3600FT35W	600	300	LD WITH GROUND FAULT
25103-407-02	HLDB3600FT35W	600	300	HLD WITH GROUND FAULT
25103-407-03	LDCB3600FT35W	600	*	CURRENT LIMITING SWITCH

<b>RATING PLUG FOR "LD" FRAME BREAKER (ONE REQUIRED PER BREAKER)</b>				
ALLEN-BRADLEY PART NUMBER	CUTLER-HAMMER CATALOG NUMBER	CONTINUOUS AMP RATING	INSTANTANEOUS TRIP SET	
			LOW	HI
25107-447-01	6LES300T	300	600	2400
25107-447-02	6LES350T	350	700	2800
25107-447-03	6LES400T	400	800	3200
25107-447-04	6LES500T	500	1000	4000
25107-447-05	6LES600T	600	1200	4800

\* NO RATING PLUG REQUIRED ON MOLDED CASE SWITCHES

<b>SELTRONIC 800 A "MD" FRAME SOLID STATE THERMAL MAGNETIC BREAKER</b>				
ALLEN-BRADLEY PART NUMBER	CUTLER-HAMMER CATALOG NUMBER	CONTINUOUS AMP RATING	MINIMUM TRIP RATING	NOTES
25103-458-01	MDS3800F	800	400	STANDARD FRAME
25103-458-02	MD3800WK	800	*	HI-MAG MOLDED CASE SWITCH
25103-459-01	MDSG3800F	800	400	MC WITH GROUND FAULT

<b>RATING PLUG FOR "MC/MD" FRAME BREAKER (ONE REQUIRED PER BREAKER)</b>				
ALLEN-BRADLEY PART NUMBER	CUTLER-HAMMER CATALOG NUMBER	CONTINUOUS AMP RATING	INSTANTANEOUS TRIP SET	
			LOW	HI
25107-450-01	8MC400	400	1200	4000
25107-450-02	8MC500	500	1500	5000
25107-450-03	8MC600	600	1800	6000
25107-450-04	8MC700	700	2100	7000
25107-450-05	8MC800	800	2400	8000

\* NO RATING PLUG REQUIRED ON MOLDED CASE SWITCHES

**ALLEN-BRADLEY TO CUTLER-HAMMER (Westinghouse) BREAKER  
CROSS-REFERENCE**

<b>SELTRONIC 800 A "MC" FRAME SOLID STATE THERMAL MAGNETIC BREAKER</b>				
<b>ALLEN-BRADLEY PART NUMBER</b>	<b>CUTLER-HAMMER CATALOG NUMBER</b>	<b>CONTINUOUS AMP RATING</b>	<b>MINIMUM TRIP RATING</b>	<b>NOTES</b>
25103-450-01	MC3800F	800	400	STANDARD FRAME
25103-450-02	HMC3800F	800	400	HI-INTERRUPTING
25103-450-05	MC3800WK	800	*	HI-MAG MOLDED CASE SWITCH
25103-455-01	MCG3800F	800	400	MC WITH GROUND FAULT
25103-455-02	HMCG3800F	800	400	HMC WITH GROUND FAULT

<b>RATING PLUG FOR "MC" FRAME BREAKER (ONE REQUIRED PER BREAKER)</b>				
<b>ALLEN-BRADLEY PART NUMBER</b>	<b>CUTLER-HAMMER CATALOG NUMBER</b>	<b>CONTINUOUS AMP RATING</b>	<b>INSTANTANEOUS TRIP SET</b>	
			<b>LOW</b>	<b>HI</b>
25107-450-01	8MC400	400	1200	4000
25107-450-02	8MC500	500	1500	5000
25107-450-03	8MC600	600	1800	6000
25107-450-04	8MC700	700	2100	7000
25107-450-05	8MC800	800	2400	8000

\* NO RATING PLUG REQUIRED ON MOLDED CASE SWITCHES

<b>SELTRONIC 800 A "ND" FRAME SOLID STATE THERMAL MAGNETIC BREAKER</b>				
<b>ALLEN-BRADLEY PART NUMBER</b>	<b>CUTLER-HAMMER CATALOG NUMBER</b>	<b>CONTINUOUS AMP RATING</b>	<b>MINIMUM TRIP RATING</b>	<b>NOTES</b>
25103-456-01	ND3800T33W	800	400	STANDARD FRAME
25103-456-02	HND3800T33W	800	400	HI-INTERRUPTING
25103-456-03	NDC3800T33W	800	400	HI-INTERRUPTING
25103-456-04	ND3800WK	800	*	HI-MAG MOLDED CASE SWITCH
25103-457-01	ND3800T35W	800	400	ND WITH GROUND FAULT
25103-457-02	HND3800T35W	800	400	HND WITH GROUND FAULT
25103-457-03	NDC3800T35W	800	400	NDC WITH GROUND FAULT

<b>RATING PLUG FOR 800A "ND" FRAME BREAKER (1 REQUIRED PER BREAKER)</b>				
<b>ALLEN-BRADLEY PART NUMBER</b>	<b>CUTLER-HAMMER CATALOG NUMBER</b>	<b>CONTINUOUS AMP RATING</b>	<b>INSTANTANEOUS TRIP SET</b>	
			<b>LOW</b>	<b>HI</b>
25107-455-01	8NES400T	400	800	3200
25107-455-02	8NES450T	450	900	3600
25107-455-03	8NES500T	500	1000	4000
25107-455-04	8NES550T	550	1100	4400
25107-455-05	8NES600T	600	1200	4800
25107-455-06	8NES700T	700	1400	5600
25107-455-07	8NES800T	800	1600	6400

\* NO RATING PLUG REQUIRED ON MOLDED CASE SWITCHES

**ALLEN-BRADLEY TO CUTLER-HAMMER (Westinghouse) BREAKER  
CROSS-REFERENCE**

<b>SELTRONIC 1200A "NC" FRAME SOLID STATE THERMAL MAGNETIC BREAKER</b>				
<b>ALLEN-BRADLEY PART NUMBER</b>	<b>CUTLER-HAMMER CATALOG NUMBER</b>	<b>CONTINUOUS AMP RATING</b>	<b>MINIMUM TRIP RATING</b>	<b>NOTES</b>
25103-500-01	NC31200F	1200	600	STANDARD FRAME
25103-500-02	HNC31200F	1200	600	HI-INTERRUPTING
25103-500-05	NC31200WK	1200	*	HI-MAG MOLDED CASE SWITCH
25103-505-01	NCG31200F	1200	600	NC WITH GROUND FAULT
25103-505-02	HNCG31200F	1200	600	HNC WITH GROUND FAULT

<b>RATING PLUG FOR "NC" FRAME BREAKER (ONE REQUIRED PER BREAKER)</b>				
<b>ALLEN-BRADLEY PART NUMBER</b>	<b>CUTLER-HAMMER CATALOG NUMBER</b>	<b>CONTINUOUS AMP RATING</b>	<b>INSTANTANEOUS TRIP SET</b>	
			<b>LOW</b>	<b>HI</b>
25107-500-03	12NC800	800	1600	6400
25107-500-05	12NC1000	1000	2000	8000
25107-500-07	12NC1200	1200	2400	9600

\* NO RATING PLUG REQUIRED ON MOLDED CASE SWITCHES

<b>SELTRONIC 1200A "ND" FRAME SOLID STATE THERMAL MAGNETIC BREAKER</b>				
<b>ALLEN-BRADLEY PART NUMBER</b>	<b>CUTLER-HAMMER CATALOG NUMBER</b>	<b>CONTINUOUS AMP RATING</b>	<b>MINIMUM TRIP RATING</b>	<b>NOTES</b>
25103-506-01	ND312T33W	1200	600	STANDARD FRAME
25103-506-02	HND312T33W	1200	600	HI-INTERRUPTING
25103-506-03	NDC312T33W	1200	600	HI-INTERRUPTING
25103-506-04	ND312WK	1200	*	HI-MAG MOLDED CASE SWITCH
25103-507-01	ND312T35W	1200	600	ND WITH GROUND FAULT
25103-507-02	HND312T35W	1200	600	HND WITH GROUND FAULT
25103-507-03	NDC312T35W	1200	600	NDC WITH GROUND FAULT

<b>RATING PLUG FOR 1200A "ND" FRAME BREAKER(1 REQUIRED PER BREAKER)</b>				
<b>ALLEN-BRADLEY PART NUMBER</b>	<b>CUTLER-HAMMER CATALOG NUMBER</b>	<b>CONTINUOUS AMP RATING</b>	<b>INSTANTANEOUS TRIP SET</b>	
			<b>LOW</b>	<b>HI</b>
25107-504-01	12NES600T	600	1200	4800
25107-504-02	12NES700T	700	1400	5600
25107-504-03	12NES800T	800	1600	6400
25107-504-04	12NES900T	900	1800	7200
25107-504-05	12NES1000T	1000	2000	8000
25107-504-06	12NES1200T	1200	2400	9600

\* NO RATING PLUG REQUIRED ON MOLDED CASE SWITCHES

**ALLEN-BRADLEY TO CUTLER-HAMMER (Westinghouse) BREAKER  
CROSS-REFERENCE**

**OBSOLETE:**

The "PC" frame breaker has been replaced by the "RD" frame breaker. Due to the size difference and mounting of the breakers, it is not possible to interchange these breakers in the A-B MCC's. As of 6/1/98 the "PC" breaker and all spare parts were available from Cutler-Hammer (Westinghouse).

**SELTRONIC 2000A "PC" FRAME SOLID STATE THERMAL MAGNETIC BREAKER**

ALLEN-BRADLEY PART NUMBER	CUTLER-HAMMER CATALOG NUMBER	CONTINUOUS AMP RATING	MINIMUM TRIP RATING	NOTES
25103-601-01	PC32000F	2000	1000	STANDARD FRAME
25103-602-01	PCG32000F	2000	1000	PC WITH GROUND FAULT

**RATING PLUG FOR "PC" FRAME BREAKER (ONE REQUIRED PER BREAKER)**

ALLEN-BRADLEY PART NUMBER	CUTLER-HAMMER CATALOG NUMBER	CONTINUOUS AMP RATING	INSTANTANEOUS TRIP SET	
			LOW	HI
25107-601-01	20PC1000	1000	2000	8000
25107-601-02	20PC1200	1200	2400	9600
25107-601-04	20PC1600	1600	3200	12800
25107-601-06	20PC2000	2000	4000	16000

**SELTRONIC 2000A "RD" FRAME SOLID STATE THERMAL MAGNETIC BREAKER**

ALLEN-BRADLEY PART NUMBER	CUTLER-HAMMER CATALOG NUMBER	CONTINUOUS AMP RATING	MINIMUM TRIP RATING	NOTES
25103-603-01	RD320T33W	2000	1000	STANDARD FRAME
25103-603-02	RDC320T33W	2000	1000	CURRENT LIMITING
25103-603-03	RD320WK	2000	*	MAGNETIC TRIP ONLY
25103-604-01	RD320T35W	2000	1000	RD WITH GROUND FAULT
25103-604-02	RDC320T35W	2000	1000	RDC WITH GROUND FAULT

**RATING PLUG FOR "RD" FRAME BREAKER (ONE REQUIRED PER BREAKER)**

ALLEN-BRADLEY PART NUMBER	CUTLER-HAMMER CATALOG NUMBER	CONTINUOUS AMP RATING	INSTANTANEOUS TRIP SET	
			LOW	HI
25107-604-01	20RES10T	1000	2000	8000
25107-604-02	20RES12T	1200	2400	9600
25107-604-05	20RES16T	1600	3200	12800
25107-604-06	20RES20T	2000	4000	16000

\* NO RATING PLUG REQUIRED ON MOLDED CASE SWITCHES

## CIRCUIT BREAKER SHUNT TRIP KITS (OPTION 754)

ALLEN-BRADLEY PART NUMBER	C-H CATALOG NUMBER	FRAME		RATING	FIELD MOUNTABLE			
		SIZE	AMPS		LH	RH	UL	NOTES
25107-265-01	SNT1LP08K	F	150	48-127V, DC-60HZ	YES	YES	NO	1,4
25107-315-01	SNT2P11K	J	250	48-127V, DC-60HZ	YES	YES	YES	3,5
25107-356-01	SNT3P11K	K	400	48-127V, DC-60HZ	YES	YES	YES	3,6
25107-406-01	SNT4LP11K	LD	600	43-120V, DC-60HZ	YES	NO	YES	1,7
25107-454-01	1371D72G22	MD	800	32-120V, DC-60HZ	YES	NO	YES	1,8
25107-407-01	SNT5P11K	ND	1200	110-240V,50/60HZ	YES	NO	YES	1,9
25107-605-01	SNT6P11K	RD	2000	110-240V 50/60HZ	NO	YES	YES	2,10

**NOTES:**

1. PART NUMBER LISTED IS FOR LEFT POLE (PHASE 1) MOUNTING.
2. PART NUMBER LISTED IS FOR RIGHT POLE (PHASE 3) MOUNTING.
3. PART NUMBER LISTED IS FOR RIGHT (PHASE 1) OR LEFT POLE (PHASE 3) MOUNTING.
4. ELECTRICAL RATING: 120 VAC, 4.3 AMPS @ .33 SEC., 50/60 HZ.
5. ELECTRICAL RATING: 120 VAC, 0.7 AMPS @ .33 SEC., 50/60 HZ.
6. ELECTRICAL RATING: 120 VAC, 1.0 AMPS @ .25 SEC., 50/60 HZ.
7. ELECTRICAL RATING: 43 TO 120V, 1.0 AMPS RMS @ .033 SEC., DC TO 60 HZ.
8. ELECTRICAL RATING: 32 TO 120V, .15 AMPS RMS @ .033 SEC., DC TO 60 HZ.
9. ELECTRICAL RATING: 120 VAC, 1.1 AMPS @ .33 SEC., 50/60 HZ.
10. ELECTRICAL RATING: 120-240 VAC, 3.0 TO 6.1 AMPS RMS @ .33 SEC., 50/60 HZ.

The shunt trip for the 'F' (150 amp), 'J' (250 amp), 'K' (400 amp), 'LD' (600 amp), 'ND' (800 amp) and 'RD' (800 amp) frame breakers consists of an intermittent rated solenoid with a tripping plunger and a cutoff switch mounted in a plug-in module. To install the shunt, the cover of the breaker will have to be removed and the shunt module inserted into the proper position inside the breaker.

The shunt trip for the 'MC' (800 amp) frame breaker is a bolt on module consisting of a DC power supply and cutoff switch. To install the shunt, the cover of the breaker will have to be removed, the shunt module installed in the proper location and two leads plugged into the printed circuit board inside of the breaker.

A 3 pole terminal block is available to connect the shunt trip lead to for ease of customer wiring (Same as used on the breaker internal auxiliary), The part number is 40120-575-01.

## CIRCUIT BREAKER LUGS

(ONE LUG PER PHASE REQUIRED UNLESS NOTED)

A-B PART NUMBER	C-H CATALOG NUMBER	BREAKER		WIRE (NOTE: 1)				TORQUE (NOTE: 2)	
		FRAME SIZE	TRIP AMPS	TYPE	SIZE		PER PHASE	BREAKER LB- FT	CABLE LB-IN
					MIN	MAX			
25109-250-01	(NOTE: 4)	F	100	CU/AL	14	1/0	1	2	
25109-251-01	(NOTE: 4)	F	150	CU/AL	4	4/0	1	2	
25109-252-01	-----	F	150	COPPER	4	4/0	1	2	
25109-258-01	TA250KB	J	250	CU/AL	4	350	1	6-8	275
25109-301-01	T250KB	J	250	COPPER	4	350	1	10-12	180
- -	3TA401K (NOTE: 5)	K	400	CU/AL	(NOTE: 3)			6-8	275
25109-259-01	TA300K	K	225	CU/AL	3	350	1	6-8	275
25109-260-01	TA350K	K	350	CU/AL	250	500	1	6-8	375
25109-302-01	T300K	K	225	COPPER	3	350	1	6-8	275
25109-327-01	T350K	K	350	COPPER	250	500	1	6-8	375
25109-353-01	3T400K (NOTE: 5)	K	400	COPPER	3/0	250	2	6-8	275
25109-355-01	3TA400K (NOTE: 5)	K	400	CU/AL	3/0	250	2	6-8	275
25109-358-01	T602LD	LD	600	COPPER	250	350	2	6-8	275
25109-358-01	TA602LD	LD	600	CU/AL	250	350	2	6-8	275
25109-360-01	3TA603LDK (NOTE: 5)	LD	600	CU/AL	400	500	2	6-8	275
25109-390-01	T600MA1	MC/MD	600	COPPER	2/0	500	2	30-35	275
25109-442-01	TA800MA2	MC/MD	800	CU/AL	3/0	400	3	30-35	375
25109-449-01	T800MA1	MC/MD	800	COPPER	3/0	300	3	30-35	275
25109-600-01	TA801MA	MC/MD	800	CU/AL	500	750	2	30-35	500
25109-443-01	TA1000NB1	NC/ND	1000	CU/AL	3/0	400	3	30-35	375
25109-476-01	T1000NB1	NC/ND	1000	COPPER	3/0	500	3	30-35	300
25109-490-01	T1200NB1	NC/ND	1200	COPPER	3/0	400	4	30-35	275
25109-492-01	TA1200NB1	NC/ND	1200	CU/AL	4/0	500	4	30-35	375
25109-493-01	TA1201NB1	NC/ND	1200	CU/AL	500	750	3	30-35	450
25109-357-01	TA700NB1	ND	700	CU/AL	1	500	2	30-35	275
25109-391-01	T700NB1	ND	700	COPPER	2/0	500	2	30-35	275
25109-552-01	T1600RD	RD	1600	COPPER	1	600	4		
25109-553-01	TA1600RD	RD	1600	CU/AL	500	1000	4		

**NOTES:**

1. Indicates lug material, type of wire, size of wire and quantity of wires per lug.
2. 'TORQUE BREAKER' Indicates torque of lug to breaker in LB-FT.  
'TORQUE CABLE' Indicates torque of lug to cable in LB-IN.
3. Lug will accept (2) 2/0 - 250 MCM or (1) 2/0 - 500 MCM wire.
4. Consists of three lugs.
5. Consists of three lugs and one barrier assembly.

**CIRCUIT BREAKER INTERNAL AUXILIARY KITS  
(OPTION 98X & 99X)**

---

ALLEN-BRADLEY PART NUMBER	C-H CATALOG NUMBER	FRAME SIZE	RATING	FIELD MOUNTABLE			
				L.H.	R.H.	UL	NOTES
25139-014-01	A1X1PK	"F"	6A, 600V 50/60HZ	YES	YES	NO	1, 2, 5, 7
25139-012-01	A1X2PK	"J"	15A, 125-250VAC	YES	YES	YES	3, 1, 2, 5, 7
25139-013-01	A1X3PK	"K"	15, 125-250VAC	YES	YES	YES	4, 1, 2, 5, 7
25139-016-01	A1X4PK	"LD"	6A @ 600V AC	YES	YES	YES	1, 2, 5, 7
25139-010-01	1372D39G03	"M"	6A @ 480V AC	YES	NO	YES	2, 5, 7
25139-020-01	A1X5PK	"ND"	6A @ 600V AC	YES	YES	YES	1, 2, 5, 7
25139-017-01	A2X6RPK	"RD"	6A @ 600V AC	NO	YES	YES	1, 6, 7

**CIRCUIT BREAKER EXTERNAL AUXILIARY CONTACTS**

---

REF: 2100-3.0 FOR BREAKER AUXILIARY ADAPTER KITS

**MISCELLANEOUS BREAKERS AND PARTS**

---

PART NUMBER	DESCRIPTION
40013-002-01	INSULATION FOR UNDER 'K' FRAME BREAKER
40013-098-01	INSULATION FOR UNDER 'J' FRAME BREAKER

**NOTES:**

1. RIGHT POLE IS STANDARD MOUNTING POSITION.
2. LEFT POLE IS STANDARD MOUNTING POSITION.
3. NOT 'UL' APPROVED FOR 'JDB' FRAME (FACTORY SEALED BREAKER).
4. NOT 'UL' APPROVED FOR 'KDB' FRAME (FACTORY SEALED BREAKER).
5. AUXILIARY HAS 1 N.O. AND 1 N.C. "FORM 'C'" CONTACTS.
6. AUXILIARY HAS 2 N.O. AND 2 N.C. "FORM 'C'" CONTACTS.
7. WHEN BREAKER IS MOUNTED IN A UNIT, IT IS SUPPLIED WITH A 3 POLE TERMINAL BLOCK (40120-570-51) TO TERMINATE THE AUXILIARY LEADS.



**MISCELLANEOUS BREAKERS AND PARTS**

CURRENT LIMITERS FOR "F" FRAME BREAKERS (BREAKER TYPE "CC" OR "CD")					
ALLEN-BRADLEY PART NUMBER	CUTLER-HAMMER CATALOG NUMBER	BREAKER USED ON		LOAD WIRE RANGE	
		FRAME SIZE	AMPS	MINIMUM	MAXIMUM
25107-101-08	1231C03G32	FB, FD, FDB	15-70	14	2
25107-101-09	1231C03G33		80-150	1	4/0
25107-101-10	ELC3003 R	HMCP	3	14	2
25107-101-11	ELC3007 R		7	14	2
25107-101-12	ELC3015 R		15	14	2
25107-101-13	ELC3030 R		30	14	2
25107-101-14	ELC3050 R		50	14	2
25107-101-15	1231C03G30		100	1	4/0
25107-101-16	1231C03G31		150	1	4/0

"FDB" BREAKERS AND CURRENT LIMITER ASSEMBLIES (BREAKER TYPE "CD")				
ALLEN-BRADLEY ASSEMBLY PART NUMBER	"FDB" CIRCUIT BREAKER		"EL" CURRENT LIMITER	
	ALLEN-BRADLEY PART NUMBER	C-H CATALOG NUMBER	ALLEN-BRADLEY PART NUMBER	C-H CATALOG NUMBER
40121-846-01	25105-265-01	FDB3015L	25107-101-08	1231C03G32
40121-846-02	25105-265-02	FDB3020L		
40121-846-04	25105-265-04	FDB3030L		
40121-846-06	25105-265-06	FDB3040L		
40121-846-07	25105-265-07	FDB3050L		
40121-846-08	25105-265-08	FDB3060L		
40121-846-09	25105-265-09	FDB3070L		
40121-846-11	25105-265-11	FDB3100L	25107-101-09	1231C03G33
40121-846-12	25105-265-12	FDB3125L		
40121-846-13	25105-265-13	FDB3150L		

BREAKER MOUNTING HARDWARE					
FRAME SIZE	BREAKER MOUNTING SCREWS (4 REQUIRED PER BREAKER)			WASHERS	
	PART NUMBER	DESCRIPTION	FLAT	LOCK	
			PART NBR	PART NBR	
"F"	28170-511-09	8 - 32 1.62" THREAD ROLLING	-----	-----	
"J"	M-1833	1/4 - 20 X 2.75" RHSMS	M-1196	M-6	
"K"	M-3	1/4 - 20 X 1.50" RHSMS	M-1196	M-6	
"LC"	M-268	1/4 - 20 X 1.75" RHSMS	-----	M-2880	
"MC"	M-158	5/16- 18 X 1.25" RHSMS	M-5683	M-180	
"NC"	M-158	5/16- 18 X 1.25" RHSMS	M-5683	M-180	

## 400-600 AMP FIELD MOUNTED CIRCUIT BREAKER KIT

---

1. The kit is not UL listed.
2. Is supplied with everything needed to mount and wire the breaker in a 2100 Motor Control Center. (Instruction, door, power wires to connect to main bus, barriers, rating plug, lugs, breaker, mounting plate and etc.)
3. Can be supplied as either a Main or a Feeder.
4. Is designed to mount in the top or bottom 2 S.F. of a standard 20" wide 6 S.F. section with a vertical wireway. (**NOTE:** Not designed be mounted in the center of a section.)
5. Uses a sealed Cutler-Hammer (Westinghouse) "LD" circuit breaker with a three pole DIGITRIP 'RMS' 310 trip unit with an adjustable pick-up with (I)(I)T short delay ramp (standard) plus a rating plug 6LES\*\*\*T, (See table below) for personnel protection in backfed applications.
6. Is supplied standard as either 400 or 600 amp, can be changed to 300, 350, or 500 amp by ordering an optional rating plug.

ALLEN-BRADLEY PART NUMBER	TRIP PLUG AMPS	INSTANTANEOUS TRIP RANGE AMPS							C-H CATALOG NUMBER
		MAGNETIC TRIP SETTING							
		2	3	4	5	6	7	8	
25107-447-01	300	600	900	1200	1500	1800	2100	2400	6LES300T
25107-447-02	350	700	1050	1400	1750	2100	2450	2800	6LES350T
25107-447-03	400	800	1200	1600	2000	2400	2800	3200	6LES400T
25107-447-04	500	1000	1500	2000	2500	3000	3500	4000	6LES500T
25107-447-05	600	1200	1800	2400	3000	3600	4200	4800	6LES600T

7. Is supplied with line (on main) or load (on feeder) lugs for two 250-350 MCM copper cables /phase. Aluminum lugs for two 400-500 MCM CU/AL cables \phase can be substituted if order is specially handled and priced. (Lug part number 25109-360-01, consists of 3 lugs & breakers)
8. The power wires connect to the horizontal power bus at the left end of the section at the power bus splice holes. If the section is not the left section in the shipping block, modifications to the power bus may be required. (Instructions for modifications are included in the kit.)
9. Interrupting capacities 'RMS' symmetrical amps for the "LD" breaker: 65 KA @ 240v, 35 KA @ 480v, & 25 KA @ 600V, 50/60HZ.
10. The weight of the entire kit is approximately 90 LBS. (this includes door, power wires, barriers, breaker, wrap, handle and etc.) The weight of the breaker, wrap and handle is approximately 52 LBS.

## 400-600 AMP FIELD MOUNTED CIRCUIT BREAKER KIT

---

11. Customer feedback indicates the kit is fairly easy to install and barring any specific application problems, it can be installed and operational in 2 to 4 hours. (NOTE: As it is connected directly to the horizontal power bus, power bus will need to be de-energized for the installation.)

12. The following are the part numbers and descriptions of the kits.

PART NUMBER	DESCRIPTION
40116-845-01	400 amp main top mounted, top entry
40116-845-02	400 amp main bottom mount, bottom entry, reverse-fed
40116-845-03	400 amp feeder top mounted, top exit, reverse-fed
40116-845-04	400 amp feeder bottom mounted, bottom exit
40116-845-05	600 amp main top mounted, top entry
40116-845-06	600 amp main bottom mount, bottom entry, reverse-fed
40116-845-07	600 amp feeder top mounted, top exit, reverse-fed
40116-845-08	600 amp feeder bottom mounted, bottom exit

**NOTE:** PART NUMBER CHANGED FROM 40116-811-?? TO 40116-845-?? ON 1/1/98

**NOTE:**  
**ON BOTTOM MOUNT MAINS AND TOP MOUNT FEEDERS**  
**THE BREAKER IS REVERSE FED,**  
**REQUIRING A SEALED CASE FOR PERSONNEL PROTECTION.**

13. The following options can be added by the factory, but the order must be specially handled to assure that PCPD assembles the equipment:

PART NUMBER	DESCRIPTION - CONSULT PCPD FOR PRICING
25139-016-01	Internal 1A-1B Aux. (SPDT) 6A 600VAC Non-inductive
25107-406-01	Shunt trip 43-120V, 1.0A RMS, 0.33 Sec, DC-60HZ
The shunt trip is for the left pole location only. (For external aux. Kit refer to publication 2100-3.0)	

14. An "HLD" circuit breaker with RMS symmetrical interrupting capacities of 100KA @ 240V, 65KA @ 480V, & 35KA @ 600V, 50/60HZ, or, "LDG" (LDG Frame breaker with internal ground fault) circuit breaker with RMS Symmetrical interrupting capacities of 42 KA @ 240V, 30 KA @ 480v, 25 KA @ 600V, 50/60HZ can be substituted if the order is specially handled and priced. (HLD Breaker part number 25103-406-02.) (LD With Ground Fault part number 25103-407-01.) (HLD With Ground fault part number 25103-407-02.) **(NOTE: You must indicate on order request the location the kit is to be installed (top or bottom), the Amp rating required, and if it is a main or a feeder.)**

15. For further application assistance, contact the 'Packaged Control Product Division, Product Service Group' in Milwaukee.

**LIGHTING PANELS AND BREAKERS**

<b>BULLETIN 2193LE BOLT-ON LIGHTING PANEL WITH MAIN LUGS ONLY (MLO)</b>					
<b>CATALOG NUMBER (2193LE-)</b>	<b>LIGHTING PANEL</b>				
	<b>PART NUMBER</b>	<b>AMP</b>	<b>VOLTS</b>	<b>PHASE</b>	<b>CKT.</b>
A*L118-00WT	25111-017-01	100	120/240	1	18
C*L130-00WT	25111-018-02	225			30
C*L142-00WT	25111-018-03	225			42
A*L318-00WT	25111-019-01	100	120/208	3	18
A*L330-00WT	25111-019-02	100			30
C*L342-00WT	25111-020-03	225			42

<b>BULLETIN 2193LE - BOLT-ON LIGHTING PANEL FOR MAIN BREAKER (MCB)</b>							
<b>CATALOG NUMBER (2193LE-)</b>	<b>LIGHTING PANEL</b>					<b>MAIN BREAKER</b>	
	<b>PART NUMBER</b>	<b>AMP</b>	<b>VOLTS</b>	<b>PHASE</b>	<b>CKT.</b>	<b>PART NUMBER</b>	<b>AMP</b>
A*B116-40WT	25111-021-01	100	120/240	1	18	25105-011-13	100
C*B130-45WT	25111-022-02	225			30	25105-203-05	225
C*B142-45WT	25111-022-03	225			42	25105-203-05	225
A*B315-40WT	25111-024-01	100	120/208	3	18	25105-012-13	100
A*B327-40WT	25111-024-02	100			30	25105-012-13	100
C*B342-45WT	25111-023-03	225			42	25105-201-05	225

<b>BOLT-ON THERMAL MAGNETIC GROUND FAULT BREAKERS FOR LIGHTING PANELS</b>							
<b>ALLEN-BRADLEY</b>		<b>BREAKER RATING</b>				<b>C-H NUMBER</b>	
<b>PART NUMBER</b>	<b>CATALOG NBR.</b>	<b>AMPS</b>	<b>VOLTS</b>	<b>POLES</b>	<b>INTERRUPTING</b>		
-----	2100-B1015G	15	120	1	10,000 AMPS	QBGF-1015	
-----	2100-B1020G	20				QBGF-1020	
25103-021-03	-----	25				QBGF-1025	
25103-021-04	-----	30				QBGF-1030	
25103-023-01	-----	15				2	QBGF-2015
25103-023-02	-----	20					QBGF-2020
25103-023-03	-----	25		QBGF-2025			
25103-023-04	-----	30		QBGF-2030			
25103-022-01	-----	15		1	22,000 AMPS		QBHF-1015
25103-022-02	-----	20					QBHF-1020
25103-022-03	-----	25				QBHF-1025	
25103-022-04	-----	30				QBHF-1030	

<b>MISCELLANEOUS LIGHTING PANEL PARTS</b>	
<b>PART NUMBER</b>	<b>DESCRIPTION</b>
25108-008-01	FILLER PLATE TO PLUG UNUSED BREAKER OPENING
2100-FILLER	PACKAGE OF 10 (25108-008-01) FILLER PLATES
40050-017-01	LIGHTING PANEL CIRCUIT DIRECTORY (42 CIRCUIT MAX.)

## BOLT-ON THERMAL MAGNETIC BREAKERS FOR LIGHTING PANELS

ALLEN-BRADLEY		CUTLER-HAMMER	BREAKER RATING		
PART NUMBER	CATALOG NUMBER	CATALOG NUMBER	AMPS	VOLTS	POLES
-----	2100-B2100	BAB-2100	100	120/240	2
25105-011-14	-----	BAB-2125	125		
25105-012-01	-----	BAB-3010H	10	120/240	3
-----	2100-B3015	BAB-3015H	15		
-----	2100-B3020	BAB-3020H	20		
25105-012-04	-----	BAB-3025H	25		
-----	2100-B3030	BAB-3030H	30		
25105-012-06	-----	BAB-3035H	35		
25105-012-07	-----	BAB-3040H	40		
25105-010-01	-----	BAB-1010	10	120/240	1
-----	2100-B1015	BAB-1015	15		
-----	2100-B1020	BAB-1020	20		
25105-010-04	-----	BAB-1025	25		
-----	2100-B1030	BAB-1030	30		
25105-010-06	-----	BAB-1035	35		
25105-010-07	-----	BAB-1040	40		
25105-010-08	-----	BAB-1050	50		
25105-010-09	-----	BAB-1055	55		
25105-010-10	-----	BAB-1060	60		
25105-010-11	-----	BAB-1070	70		
25105-011-01	-----	BAB-2010	10	120/240	2
-----	2100-B2015	BAB-2015	15		
-----	2100-B2020	BAB-2020	20		
25105-011-04	-----	BAB-2025	25		
-----	2100-B2030	BAB-2030	30		
25105-011-06	-----	BAB-2035	35		
25105-011-07	-----	BAB-2040	40		
-----	2100-B2050	BAB-2050	50		
25105-011-09	-----	BAB-2055	55		
25105-011-10	-----	BAB-2060	60		
25105-011-11	-----	BAB-2070	70		
25105-011-12	-----	BAB-2090	90		
-----	2100-B3050	BAB-3050H	50	120/240	3
25105-012-09	-----	BAB-3055H	55		
25105-012-10	-----	BAB-3060H	60		
25105-012-11	-----	BAB-3070H	70		
25105-012-12	-----	BAB-3090H	90		
-----	2100-B3100	BAB-3100H	100		

**BULLETIN 2195, 2196 & 2197 POWER AND LIGHTING  
TRANSFORMERS AND FUSES**

SINGLE PHASE TRANSFORMER								
STRING CATALOG NUMBER	TRANSFORMER				SECONDARY FUSE			
	PRI. VOLTS	SECONDARY VOLTS	KVA	PART NUMBER	AMP	TYPE	PART NUMBER	QTY
C*AD	240	120	1	X-231515	10	TRM	X-276131	1
E*AD			2	X-231596	20		25183-164-35	1
F*AD			3	X-231678	30	TR-R	25183-161-35	1
G*AA	240	120/240	5	X-231644	25	TR-R	25183-161-34	2
H*AA			7.5	40022-003-01	40		25183-162-02	2
J*AA			10	40022-003-02	50		25183-162-04	2
K*AA			15	40022-050-01	80		25183-163-02	2
M*AA			25	40022-050-03	125		25183-163-06	2
C*BD	480	120	1	X-231515	10	TRM	X-276131	1
E*BD			2	X-231596	20		25183-164-35	1
F*BD			3	X-231678	30	TR-R	25183-161-35	1
G*BA	480	120/240	5	X-231644	25	TR-R	25183-161-34	2
H*BA			7.5	40022-003-01	40		25183-162-02	2
J*BA			10	40022-003-02	50		25183-162-04	2
K*BA			15	40022-050-01	80		25183-163-02	2
M*BA			25	40022-050-03	125		25183-163-06	2
THREE PHASE LIGHTING TRANSFORMER								
Q*BH	480	120/208	15	40022-052-02	50	TR-R	25183-162-04	3
T*BH			30	40022-052-05	100		25183-163-04	3

IN 1985 THE MOUNTING OF THE LARGER XFMR'S WERE CHANGED. THE NEW XFMR'S WILL REPLACE THE OLD XFMR. ELECTRICALLY ALTHOUGH THE MOUNTING IS NARROWER/TALLER.

CROSS REFERENCE						
OLD PART NUMBER	NEW PART NUMBER	KVA	PHASE	PRI. VOLTS	SEC. VOLTS	
40022-001-01	40022-052-01	10	3	480	208/120	
40022-001-02	40022-052-02	15				
40022-001-03	40022-052-03	20				
40022-001-04	40022-052-04	25				
40022-001-05	40022-052-05	30				
40022-002-01	40022-053-01	37.5				
40022-002-02	40022-053-02	45				
40022-004-01	40022-050-01	15	1	240/480	120/240	
40022-004-02	40022-050-02	20				
40022-004-03	40022-050-03	25				
40022-005-01	40022-051-01	30				
40022-005-02	40022-051-02	37.5				
40022-005-03	40022-051-03	50				

**TRANSFORMER TERMINAL AND MOUNTING HARDWARE**

PART NUMBER	DESCRIPTION	TERMINAL HARDWARE	MOUNTING HRWD.
40120-901-01	.075 KVA TO .350KVA	8-32 X 3/8 (M-2626)	10-32 X 3/8
40120-901-02	.500 KVA TO 1.0 KVA	8-32 X 3/8 (M-2626)	1/4-20 X 1/2
40120-901-12	1.5 KVA TO 2.0 KVA	8-32 X 3/8 (M-2626)	3/8-16 X 5/8

## FUSE BLOCKS

REF: PUBLICATION 2100-6.1 "CONTROL CIRCUIT TRANSFORMERS & FUSING"

<b>CONTROL &amp; POTENTIAL TRANSFORMER PRIMARY FUSES BLOCKS CLASS "CC" FOR KTK--R OR EQUIVALENT FUSES (FUSE DIM. 1.5" X .41 DIA.)</b>	
PART NUMBER	DESCRIPTION (NOTE: 1)
40120-860-54	1 POLE, 30 AMP, 600 VOLT, PANEL MOUNT, WITH HARDWARE
40120-860-55	2 POLE, 30 AMP, 600 VOLT, PANEL MOUNT, WITH HARDWARE
40120-860-56	3 POLE, 30 AMP, 600 VOLT, PANEL MOUNT, WITH HARDWARE

<b>CONTROL CIRCUIT &amp; CONTROL TRANSFORMER SECONDARY FUSE BLOCKS FOR FNM OR EQUIVALENT FUSES (FUSE DIM. 1.5" X .41" DIA.)</b>	
PART NUMBER	DESCRIPTION (NOTE: 1)
X-277745	1 POLE, 30 AMP, 250 VOLT, MOUNTS ON CNTL. XFMR. TERMINAL
40120-860-51	1 POLE, 30 AMP, 600 VOLT, PANEL MOUNT, WITH HARDWARE
40120-860-52	2 POLE, 30 AMP, 600 VOLT, PANEL MOUNT, WITH HARDWARE
40120-860-53	3 POLE, 30 AMP, 600 VOLT, PANEL MOUNT, WITH HARDWARE
40499-466-10	FUSE HOLDER ASSEMBLY FOR 500 LINE STARTERS (599-FR04)

<b>CONTROL CIRCUIT &amp; CONTROL TRANSFORMER SECONDARY FUSE BLOCKS FOR 3AB OR EQUIVALENT FUSE (DIM. 1.25" X .25" DIA.) (FOR BUL:2400)</b>	
PART NUMBER	DESCRIPTION (NOTE: 1)
40120-860-57	1 POLE, 20A, 300V, PANEL MTG.(BUL:2400) (BENT TERMINAL)
40120-860-58	1 POLE, 20A, 300V, PANEL MTG.(BUL:2400)(STRAIGHT TERM.)

<b>CONTROL &amp; LIGHTING TRANSFORMER SECONDARY FUSE BLOCKS FOR 250 VOLT "H" FUSES</b>		
PART NUMBER	DESCRIPTION	TORQUE
40023-102-01	1 POLE, 30A, FUSE BLOCK (CAT. NBR. 1491-N121)	25 LB-IN
40023-103-01	2 POLE, 30A, FUSE BLOCK (CAT. NBR. 1491-N122)	25 LB-IN
40023-408-01	2 POLE, 30A, FUSE BLOCK (5KVA, USE 4002310301)	25 LB-IN
25160-151-01	1 POLE, 60A, FUSE BLOCK (5KVA SINGLE PHASE)	45 LB-IN
25161-151-01	2 POLE, 60A, FUSE BLOCK (7.5-10KVA SINGLE PHASE)	45 LB-IN
40116-506-51	3 POLE, 60A, FUSE BLOCK (10-15KVA, 3 PHASE)	45 LB-IN
40116-507-51	1 POLE, 100A, FUSE BLOCK (7.5-10KVA, SINGLE PHASE)	45 LB-IN
40116-507-52	2 POLE, 100A, FUSE BLOCK (15-20KVA, SINGLE PHASE)	45 LB-IN
40116-506-52	3 POLE, 100A, FUSE BLOCK (20-30KVA, 3 PHASE)	45 LB-IN
40023-843-05	1 POLE, 200A, FUSE BLOCK	240 LB-IN
40116-506-54	3 POLE, 200A, FUSE BLOCK (37.5-45KVA, 3 PHASE)	240 LB-IN

**NOTES:**

1. TORQUE 6-32 SCREW CONNECTIONS TO 18 LB-IN (UNLESS NOTED).

## METERS USED IN UNITS WITH METERING OPTIONS

PANEL TYPE AMMETERS 0-5 AMP MOVEMENT WITH 3.5" FACE FOR MOUNTING IN A 2.828" DIAMETER HOLE					
FULL SCALE	PART NUMBER	FULL SCALE	PART NUMBER	FULL SCALE	PART NUMBER
5	22901-002-01	10	22901-002-02	20	22901-002-04
30	22901-002-05	40	22901-002-06	50	22901-002-07
60	22901-002-08	80	22901-002-09	100	22901-002-10
150	22901-002-12	200	22901-002-13	300	22901-002-14
400	22901-002-15	600	22901-002-17	800	22901-002-18
1000	22901-002-19	1200	22901-002-20		

SWITCHBOARD AMMETER, 0-5 AMP MOVEMENT WITH 4.33" FACE FOR MOUNTING IN A 4" DIAMETER HOLE					
SCALE	PART NUMBER	SCALE	PART NUMBER	SCALE	PART NUMBER
0-600	22901-001-15	0-800	22901-001-16	0-1200	22901-001-18

MISCELLANEOUS METERS		
TYPE	PART NUMBER	DESCRIPTION
VOLTMETER	22951-003-01	PANEL TYPE, 0-150V MOVEMENT, 0-600V SCALE
VOLTMETER	22951-003-03	PANEL TYPE, 0-150V MOVEMENT, 0-300V SCALE
VOLTMETER	22951-001-01	SWITCHBOARD, 0-150V MOVEMENT, 0-600V SCALE
VOLTMETER	22951-002-01	SWITCHBOARD, 0-600V MOVEMENT, 0-600V SCALE
WATT-HOUR	22996-004-01	WESTINGHOUSE (TYPE D5B-2F), SEC. REGISTER
E.T.M.	22240-007-01	ELAPSED TIME METER (MTG. HOLE 1" X 1.5")
D.M.	22996-007-01	DIGITAL METER (VOLTS & AMPS ONLY)
D.M.S.	22996-011-01	DIGITAL METER SYSTEM 2190-BAC-**-85KCXX (I/Q4300)
EXT.CABLE	22996-006-02	EXTENDER CABLE FOR ABOVE DIGITAL METER

## AMMETER AND VOLTMETER SWITCHES FOR 3 PHASE METERING

PART NUMBER	DESCRIPTION
X-475631	AMMETER SWITCH (BUL: 806) FOR USE WITH 3 CURRENT XFMRS
X-475632	AMMETER SWITCH (BUL: 806) FOR USE WITH 2 CURRENT XFMRS
X-475633	VOLTMETER SWITCH (BUL: 806) FOR 2 P.T'S, 3 PHASE 3 WIRE
25135-010-01	AMMETER SWITCH (CAM OPER) FOR USE WITH 2 CURRENT XFMRS
25135-011-01	AMMETER SWITCH (CAM OPER) FOR USE WITH 3 CURRENT XFMRS
25135-012-01	VOLTMETER SWITCH (4 POS.) FOR 2 P.T'S, 3 PHASE 3 WIRE
25135-013-01	VOLTMETER SWITCH (7 POS.) 3 PHASE TO NEUTRAL, 3 PHASE 4 WIRE



## CURRENT TRANSFORMERS FOR METERING

DOUGHNUT TYPE CURRENT XFMR., INSTRUMENT XFMR. MODEL# 2DRL 1" DIAMETER HOLE FOR PRIMARY WIRE, OUTSIDE DIAMETER 2.5" SECONDARY LEADS #16 AWG. WIRE, 48" LONG (USED AS STANDARD ON SIZE 1, 2 & 3 UNITS)					
RATIO	PART NUMBER		RATIO	PART NUMBER	
	(*) WITH/MTG	WITHOUT/MTG		(*) WITH/MTG	WITHOUT/MTG
50/5	40120-858-01	25645-013-01	60/5	40120-858-02	25645-013-02
75/5	40120-858-03	25645-013-03	80/5	40120-858-04	25645-013-04
100/5	40120-858-05	25645-013-05	120/5	40120-858-06	25645-013-06
125/5	40120-858-07	25645-013-07	150/5	40120-858-08	25645-013-08
200/5	40120-858-09	25645-013-09	250/5	40120-858-10	25645-013-10
300/5	40120-858-11	25645-013-11			

DOUGHNUT TYPE CURRENT XFMR., INSTRUMENT XFMR. MODEL# 7ARL 2.5" DIAMETER HOLE FOR PRIMARY WIRE, OUTSIDE DIAMETER 4.5" SECONDARY LEADS #16 AWG. WIRE, 96" LONG (USED AS STANDARD ON SIZE 1, 2 & 3 UNITS)					
RATIO	PART NUMBER		RATIO	PART NUMBER	
	(*) WITH/MTG	WITHOUT/MTG		(*) WITH/MTG	WITHOUT/MTG
100/5	40120-882-01	25645-008-01	150/5	40120-882-02	25645-008-02
200/5	40120-882-03	25645-008-03	250/5	40120-882-04	25645-008-04
300/5	40120-882-05	25645-008-05	400/5	40120-882-06	25645-008-06
500/5	40120-882-07	25645-008-07	600/5	40120-882-08	25645-008-08
800/5	40120-882-10	25645-008-10			

DOUGHNUT TYPE CURRENT XFMR., INSTRUMENT XFMR. MODEL# 8RL 3.25" DIAMETER HOLE FOR PRIMARY WIRE, OUTSIDE DIAMETER 5.67" SECONDARY LEADS #16 AWG. WIRE, 96" LONG (USED AS STANDARD ON INCOMING LINES)					
RATIO	PART NUMBER		RATIO	PART NUMBER	
	(*) WITH/MTG	WITHOUT/MTG		(*) WITH/MTG	WITHOUT/MTG
100/5	40120-882-14	25645-009-08	1000/5	40120-882-11	25645-009-09
1200/5	40120-882-12	25645-009-10	1600/5	40120-882-13	25645-009-12

DOUGHNUT TYPE CURRENT XFMR., INSTRUMENT XFMR. MODEL# 170RL 4.25" DIAMETER HOLE FOR PRIMARY WIRE, OUTSIDE DIAMETER 6.67" SECONDARY LEADS #16 AWG. WIRE, 96" LONG					
RATIO	PART NUMBER		RATIO	PART NUMBER	
	(*) WITH/MTG	WITHOUT/MTG		(*) WITH/MTG	WITHOUT/MTG
600/5	N/A	25645-012-01	800/5	N/A	25645-012-02
1000/5	N/A	25645-012-03	1200/5	N/A	25645-012-04
1600/5	N/A	25645-012-05	2000/5	40120-882-15	25645-012-06

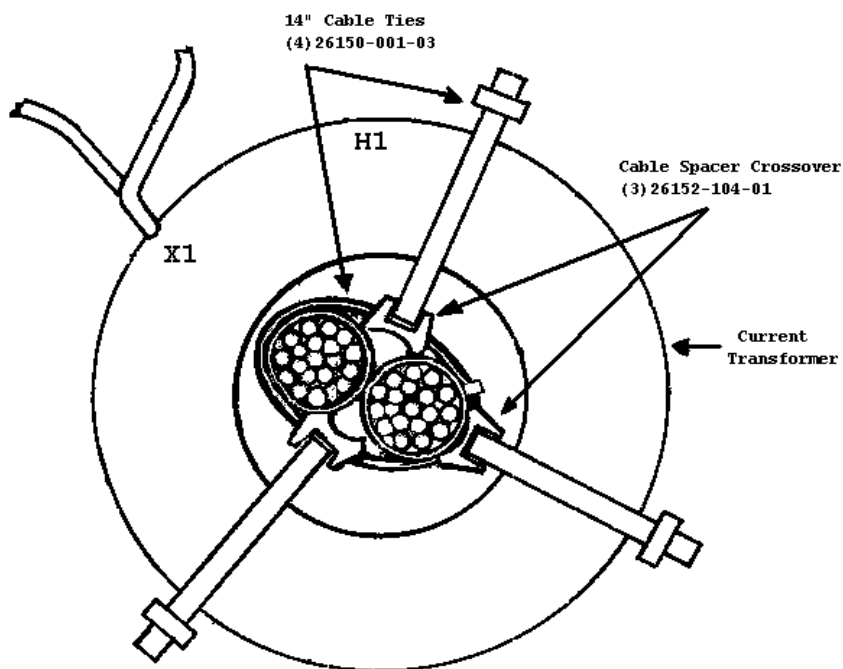
\*WITH/MOUNTING; SUPPLIED WITH HARDWARE FOR MOUNTING C.T. TO UNIT, REFER TO  
DIAGRAM ON FOLLOWING PAGE FOR MOUNTING OF CURRENT TRANSFORMER

## CURRENT TRANSFORMERS FOR METERING

DOUGHNUT TYPE CURRENT XFMR., INSTRUMENT XFMR. MODEL# 560 3.25" X 4.25" HOLE FOR PRIMARY WIRE SECONDARY LEADS #16 AWG. WIRE, 96" LONG					
RATIO	PART NUMBER		RATIO	PART NUMBER	
	(*) WITH/MTG	WITHOUT/MTG		(*) WITH/MTG	WITHOUT/MTG
1000/5	N/A	25645-015-01	1200/5	N/A	25645-015-02
1500/5	N/A	25645-015-03	1600/5	N/A	25645-015-04
2000/5	N/A	25645-015-05			

REFER TO DIAGRAM BELOW FOR MOUNTING OF C.T.'s TO WIRES:

**CAUTION:** De-Energize equipment before attempting to install Donut Current Transformer. Before re-energizing circuit, secondary leads of transformer must be connected to metering equipment or shorted together to avoid a high voltage across secondary leads.



C.T. Shown mounted on 2 wires per phase

### INSTRUCTIONS FOR ATTACHING DONUT CURRENT TRANSFORMER TO CONDUCTOR(S)

1. Slip Donut Current Transformer over the end of the conductor(s) of the phase to be monitored observing the polarity. (X1, H1)
2. With cable tie, Attach 3 Cable Spacer Crossovers to the conductor(s). Tighten cable tie and trim excess.
3. Attach Donut Current Transformer to the conductor(s) by slipping 3 cable ties through the Cable Spacer Crossovers and around the Current Transformer. Tighten Cable ties so the conductor(s) is approximately centered in the Current Transformer Opening.
4. Connect secondary leads as shown on the wiring diagram.

**POTENTIAL TRANSFORMERS FOR METERING**

---

SINGLE PHASE POTENTIAL TRANSFORMERS FOR 2190/2191 METERING UNITS				
PART NUMBER	PRI. VOLTS	SEC. VOLTS	RATIO	FOR USE ON
25646-001-01	240/240Y	120	2:1	240 VOLTS 60 HZ.
25646-001-02	480/480Y		4:1	480 VOLTS 60 HZ.
25646-001-03	600/600Y		5:1	600 VOLTS 60 HZ.
25646-001-04	208/208Y		1.73:1	208 VOLTS 60 HZ.

THREE PHASE POTENTIAL TRANSFORMERS FOR BUL. 1400 METERING UNITS					
PART NUMBER	PRIMARY VOLTAGE	SECONDARY VOLTAGE		RATIO	FOR USE ON
		LINE TO LINE	LINE TO NEUTRAL		
25646-002-01	208	120V	N/A	1.73:1	208 3 PHASE 3 WIRE
25646-002-02	480			4:1	480 3 PHASE 3 WIRE
25646-002-03	600			5:1	600 3 PHASE 3 WIRE
25646-003-01	208Y	120V	69V	1.73:1	208Y 3 PHASE 4 WIRE
25646-003-02	480Y			4:1	480Y 3 PHASE 4 WIRE
25646-003-03	600Y			5:1	600Y 3 PHASE 4 WIRE
25646-003-04	208Y	208V	120V	1:1	208Y 3 PHASE 4 WIRE
25646-003-05	480Y			2.31:1	480Y 3 PHASE 4 WIRE
25646-003-06	600Y			2.88:1	600Y 3 PHASE 4 WIRE

## CURRENT SENSORS (TRANSDUCERS)

(NOTE: NOT ALL PARTS ARE STOCKED, SOME ARE SPECIAL PURCHASED ITEMS.)

<b>DOUGHNUT TYPE CURRENT SENSOR, RILEY CORP., MODEL# 420</b> <b>.50" DIAMETER HOLE FOR PRIMARY WIRE</b> <b>OUTSIDE DIMENSIONS: 1.75" HIGH, 2.00" WIDE, 1.75" DEEP</b> <b>SUPPLY VOLTAGE: 5-40V DC, OUTPUT SIGNAL: 4-20 MA</b>			
INPUT CURRENT	PART NUMBER	INPUT CURRENT	PART NUMBER
0-5 AMP	25503-001-01	0-30 AMP	25503-001-05
0-10 AMP	25503-001-02	0-50 AMP	25503-001-06
0-15 AMP	25503-001-03	0-75 AMP	25503-001-07
0-20 AMP	25503-001-04	0-100 AMP	25503-001-08

<b>DOUGHNUT TYPE CURRENT SENSOR, RILEY CORP., MODEL# 420L</b> <b>1.1" DIAMETER HOLE FOR PRIMARY WIRE</b> <b>OUTSIDE DIMENSIONS: 2.375" HIGH, 2.375" WIDE, 2.00" DEEP</b> <b>SUPPLY VOLTAGE: 5-40V DC, OUTPUT SIGNAL: 4-20 MA</b>			
INPUT CURRENT	PART NUMBER	INPUT CURRENT	PART NUMBER
0-50 AMP	25503-002-01	0-200 AMP	25503-002-04
0-100 AMP	25503-002-02	0-250 AMP	25503-002-05
0-150 AMP	25503-002-03	0-300 AMP	25503-002-06

<b>DOUGHNUT TYPE CURRENT SENSOR, RILEY CORP., MODEL# 420XL</b> <b>2" DIAMETER HOLE FOR PRIMARY WIRE</b> <b>OUTSIDE DIMENSIONS: 4" HIGH, 5.40" WIDE, 1.5" DEEP</b> <b>SUPPLY VOLTAGE: 5-40V DC, OUTPUT SIGNAL: 4-20 MA</b>			
INPUT CURRENT	PART NUMBER	INPUT CURRENT	PART NUMBER
0 - 300 AMP	25503-003-01	0 - 500 AMP	25503-003-03
0 - 400 AMP	25503-003-02	0 - 600 AMP	25503-003-04

OPTIONS FORM BULLETIN 2100-3.0			
OPTION	PART NUMBER	SUPPLIER	MODEL NUMBER
-700TC1	25503-005-01	OHIO SEMITRONICS	MCT5-00E
-700TC3	25503-005-02	OHIO SEMITRONICS	MCT-00E2
-700TC2	25503-006-01	CROMPTON	253-TALU-LSHG
-700TC4	25503-013-01	NEILSEN-KULIJIAN	A200-1

**STANDARD CAPACITORS USED ON 480 VOLT 60 HZ. 2100 UNITS**

OPTION	CAPACITOR ASSEMBLY			FUSE	
	PART NUMBER	KVAR	CATALOG NUMBER	PART NUMBER	CATALOG#
30KV	40121-999-01	2	ABS/43M/2/RF3	25172-260-22	KTK-R-15
31KV	40121-999-02	2.5	ABS/43M/2.5/RF3		
32KV	40121-999-03	3	ABS/43M/3/RF3		
33KV	40121-999-04	4	ABS/43M/4/RF3		
34KV	40121-999-05	5	ABS/43M/5/RF3		
35KV	40121-999-06	6	ABS/43M/6/RF3		
36KV	40121-999-07	7	ABS/43M/7/RF3	25172-260-25	KTK-R-30
37KV	40121-999-08	7.5	ABS/43M/7.5/RF3		
38KV	40121-999-09	8	ABS/43M/8/RF3		
39KV	40121-999-10	9	ABS/43M/9/RF3		
40KV	40121-999-11	10	ABS/43M/10/RF3		
41KV	40121-999-12	11	ABS/43M/11/RF3		
42KV	40121-999-13	12.5	ABS/43M/12.5/RF3		
43KV	40121-999-14	14	ABS/43M/14/RF3		
44KV	40121-999-15	15	ABS/43M/15/RF3	25184-255-31	LPJ-60-SP
45KV	40121-999-16	16	ABS/43M/16/RF3		
46KV	40121-999-17	17.5	ABS/43M/17.5/RF3		
47KV	40121-999-18	18	ABS/43M/18/RF3		
48KV	40121-999-19	20	ABS/43M/20/RF3		
49KV	40121-999-20	22.5	ABS/43M/22.5/RF3		
50KV	40121-999-21	25	ABS/43M/25/RF3		
51KV	40121-999-22	27.5	ABVC/43M/27.5/RF3		
52KV	40121-999-23	30	ABVC/43M/30/RF3		
53KV	40121-999-24	32.5	ABVC/43M/32.5/RF3		
54KV	40121-999-25	35	ABVC/43M/35/RF3		
55KV	40121-999-26	37.5	ABVC/43M/37.5/RF3		
56KV	40121-999-27	40	ABVC/43M/40/RF3		
57KV	40121-999-28	42.5	ABVC/43M/42.5/RF3	25184-255-35	LPJ-100SP
58KV	40121-999-29	45	ABVC/43M/45/RF3		
59KV	40121-999-30	50	ABVC/43M/50/RF3		

DOOR, INTERLOCK AND MISCELLANEOUS PARTS FOR CAPACITOR UNITS (NOTE: 1, 3)	
PART NUMBER	DESCRIPTION
40118-051-51-1XXX	.5 S.F., 2 - 25 KVAR
40118-051-51-1050-1D	.5 S.F., 2 - 25 KVAR WITH BLOWN FUSE INDICATOR
40118-124-51-1XXX	1.0 S.F., 27.5-50 KVAR
40118-124-51-1124-1B	1.0 S.F., 27.5-50 KVAR WITH BLOWN FUSE INDICATOR
40119-167-02	DOOR INTERLOCK (NOTE: 2)
40271-475-02	BLOWN FUSE INDICATION LIGHTS (3 PER CAP. ASSY)

**NOTES:**

- CAPACITOR UNIT TO BE MOUNTED IN LOCATION DIRECTLY ABOVE OR BELOW UNIT CONTROLLING THE CAPACITOR. DOOR INTERLOCK TO BE PROVIDED PER NOTE: 2.
- INTERLOCK TO BE MOUNTED ON CONTROLLING UNIT DOOR LATCH ASSEMBLY SO IT EXTENDS OVER CAPACITOR DOOR AND PREVENTS CAPACITOR UNIT DOOR FROM BEING OPENED WHEN CONTROLLING UNIT DOOR IS CLOSED.
- POWER WIRES TO BE SIZED PER STARTER UNIT CONTROLLING CAPACITOR UNIT.  
 SIZE 1, #14 BLACK, R5814-404  
 SIZE 2, #12 BLACK, R5814-402  
 SIZE 3, #10 BLACK, R5814-306  
 SIZE 4, #8 BLACK, R5814-301  
 SIZE 5, #4 BLACK, R5814-210

## UNIT REPLACEMENT PARTS

PART NUMBER	DESCRIPTION
40120-407-01	TOP PLATE FOR 1 S.F. AND UP UNITS
40120-408-01	BOTTOM PLATE, 1 S.F., WITHOUT TERMINAL BLOCK MOUNTING
40120-408-03	BOTTOM PLATE, 1.5 AND UP, WITHOUT TERMINAL BLOCK MTG.
40120-408-07	BOTTOM PLATE, 1 S.F., WITH TERMINAL BLOCK MOUNTING
40120-408-08	BOTTOM PLATE, 1.5 AND UP, WITH TERMINAL BLOCK MOUNTING
40120-807-01	UNIT LATCH ASSEMBLY "CAPTIVE LATCH" (TORQUE TO 20 LB-IN)
40114-771-01	UNIT LOAD GROUND CONNECTOR (79L)
40120-841-01	UNIT VERTICAL GROUND BUS CONNECTOR (79U)
40120-841-02	UNIT GROUNDING CONNECTOR (STANDARD ON SERIES "N")

## CONTROL AND POWER TERMINAL BLOCKS AND ACCESSORIES

PART NUMBER	DESCRIPTION
40164-426-01	5 POLE CONTROL T.B. (BLANK, NO LABEL) (1492-EC85)
40164-426-03	5 POLE CONTROL T.B. (LABELED X2-1-1A-2-3)
40164-426-13	5 POLE CONTROL T.B. (LABELED 4-5-6-7)
40164-426-14	5 POLE CONTROL T.B. (LABELED 1X2-1-1A-2-3)
40164-426-15	5 POLE CONTROL T.B. (LABELED 2X2-31-31A-32-33)
40164-059-02	METAL JUMPER FOR "1492-EC85" TERMINAL BLOCKS
41006-061-01	BLANK LABEL FOR "1492-EC85" AND "1492-ED103" T.B.'S
40164-427-03	3 POLE POWER T.B. (LABELED T1-T2-T3) (1492-ED103)
40120-818-01	3 POLE POWER T.B. FOR 2106/2107 SIZE 3 ((3) 1492-CE2)
40120-818-02	6 POLE POWER T.B. FOR 2122/2123 SIZE 3 ((6) 1492-CE2)
40120-818-03	3 POLE POWER T.B. FOR 2112/2113 SIZE 3 ((3) 1492-CE2)
40126-804-01	10 POLE CONTROL T.B. & MTG./BUL: 2400 .5 S.F. UNITS
22112-134-01	10 POLE CONTROL T.B./BUL: 2400 .5 S.F. UNITS (A-B SIDE)
22112-046-17	10 POLE CONTROL T.B./BUL: 2400 .5 S.F. UNITS (CUST.SIDE)
42006-377-01	BLANK LABEL FOR 10 POLE CONTROL TERMINAL BLOCK ABOVE
40120-570-51	3 POLE CONTROL T.B. FOR BRKR. INTERNAL AUX. WIRES

## CONTROL AND POWER TERMINAL BLOCKS AND ACCESSORIES

ALLEN-BRADLEY CATALOG NUMBER	MAX. AMP RATING	WIRE RANGE MIN/MAX	TERMINAL PER BLOCK	RECOMMENDED TORQUE VALUE		
				POWER CONNECTION	TO MTG. BRACKET	TOP TO BOTTOM
1492-EC85	25A	#12-#20	5	12 LB-IN	18 LB-IN	8 LB-IN
1492-ED103	60A	#4-#14	3	35 LB-IN	18 LB-IN	8 LB-IN
1492-CE2	195A	#12-1/0	1	50 LB-IN	-----	-----

## MISCELLANEOUS HARDWARE

PART NUMBER	DESCRIPTION		
28172-104-09	6-32	X .50"	PAN HEAD SELF TAPPING SCREW
M-990	6-32		NUT
M-2300	6-32		LOCK WASHER
28035-003-07	8-32	X .375"	ONEWAY SCREW
28170-508-09	8-32	X 1.12"	TAPTITE
28355-151-09	8-32		NUT
M-1120	5/32"		FLAT WASHER (.171 ID, .3125 OD.) (#8 SCREW)
28171-603-26	10-32	X .3125"	TAPTITE
M-1552	10-32	X .375"	BINDING HEAD MACHINE SCREW
28169-105-26	10-32	X .375"	ONEWAY SCREW
M-6844	10-32	X .375"	ROUND HEAD STEEL MACHINE SCREW
28169-110-09	10-32	X .375"	SLOT HEX HEAD SCREW
28171-605-09	10-32	X 1.00"	TAPTITE
M-8789	10-32		NUTSERT FOR MOUNTING IN A 9/32" MOUNTING HOLE
M-6575	1/4-20	X .50"	HEX HEAD SCREW, WITH LOCK WASHER
M-6576	1/4-20	X .625"	HEX HEAD SCREW, WITH LOCK WASHER
M-922	1/4-20	X .75"	HEX HEAD CAP SCREW
28168-140-26	1/4-20	X .75"	HEX HEAD SEM, WITH WASHER
M-6289	1/4-28	X .375"	HEX HEAD CAP SCREW
28170-611-06	1/4	X 1.125"	TORX HEAD STEEL SELF TAPPING SCREW
28182-516-09	1/4-15	X 1.3132"	SELF TAPPING SCREW
28360-513-33	1/4-20		NUT
M-8790	1/4-20		NUTSERT FOR MOUNTING IN A 3/8" MOUNTING HOLE
M-783	1/4"		FLAT WASHER (.266 ID, .50 OD)
M-1196	1/4"		FLAT WASHER (.266 ID, .469 OD)
M-2230	1/4"		FLAT WASHER (.258 ID, .625 OD)
M-2189	1/4"		FLAT WASHER (.266 ID, .75 OD)
M-2880	1/4"		LOCK WASHER (.275 ID, .437 OD)
M-1240	5/16-18	X .50"	HEX HEAD CAP SCREW
M-247	5/16-18	X .625"	HEX HEAD CAP SCREW
M-7986	5/16-18	X .50"	TAPTITE
28171-174-09	5/16-18	X .625"	TAPTITE
M-7980	5/16-18	X 1.25"	TAPTITE
M-1058	5/16-18	X .75"	HEX HEAD CAP SCREW
M-8792	5/16-18		NUTSERT FOR MOUNTING IN A 1/2" MOUNTING HOLE
M-6532	5/16-24	X .50"	HEX HEAD CAP SCREW
M-3803	5/16-24	X .75"	HEX SOCKET HEAD SCREW
M-5683	5/16"		FLAT WASHER (.328 ID, .625 OD)
M-25	5/16"		FLAT WASHER (.3125 ID, .75 OD)
M-8774	5/16"		SPRING WASHER (.315 ID, .625 OD)
M-180	5/16"		LOCK WASHER (.3125 ID, .5625 OD)
M-412	3/8-16	X .75"	HEX HEAD CAP SCREW
M-144	3/8-16	X 1.00"	HEX HEAD CAP SCREW
M-4003	3/8-16	X 1.00"	HEX HEAD CAP SCREW
M-2861	3/8-16	X 1.125"	HEX HEAD CAP SCREW
M-131	3/8-16	X 1.25"	HEX HEAD CAP SCREW
M-227	3/8-16	X 2.25"	HEX HEAD CAP SCREW
M-878	3/8-16		NUT
M-8794	3/8-16		NUTSERT FOR MOUNTING IN A 9/16" MOUNTING HOLE
M-24	3/8"		FLAT WASHER (.406 ID, .8125 OD)
M-5696	3/8"		FLAT WASHER (.377 ID, 1.00 OD)
M-12	3/8"		LOCK WASHER (.382 ID, .654 OD)

## CONTROL AND POWER WIRES FOR SC/PE UNITS

(ALL WIRES ARE BLACK UNLESS STATED "R" RED, "G" GREEN, "B" BLACK)

BULLETIN	SIZE AMPS KVA	TRANSFORMER			DISCONNECT TO		CONTACTOR TO	
		PRI.	SEC.	GROUND	STABS	BUS	DISC.	T.B'S
2102L/2103L	30A	16 B	16 R	14 G	10	N/A	10	10
	60A				6		6	
	100A				4		4	
	200A				(2) 4		1	N/A
	300A				(4) 4		4/0	
2106/2107	1	16 B	16 R	14 G	10	N/A	10	10
	2				8		8	6
	3				4		4	4
	4				(2) 6		1	N/A
	5				N/A	4/0	4/0	
2112/2113	1	16 B	16 R	14 G	10	N/A	10	10
	2				8		8	6
	3				4		4	4
	4				(2) 6		1	N/A
	5				(4) 4	NOTE: 1		
	6				N/A	(2) 4/0	(2) 4/0	
	180A				(2) 6	1		
	304A				(2) 4	250		
	320A				(2) 4	4/0		
	400A				N/A	(2) 4/0	(2) 4/0	
2122/2123	1	16 B	16 R	14 G	10	N/A	10	10
	2				8		8	8
	3				4		4	4
	4				(2) 6		1	N/A
	5				N/A	4/0	4/0	
2154/2155	22-24A	14 B	14 R	14 G	10	N/A	10	10
	30-45A				8		8	8
	54A				4		4	4
	79-97A				N/A	1	1	1
	105-180					1	1	
	192-288					4/0	4/0	N/A
	360-370					250	250	
	500A					(2) 4/0	(2) 4/0	
2162F/2163F	3-10HP	16 B	16 R	14 G	10	N/A	10	10
	15-40				N/A	8	8	8
	50 HP				N/A	6	6	6
2162J/2163J	.75-5	16 B	16 R	14 G	10	N/A	10	10
2162K/2163K	3-10HP	16 B	16 R	14 G	10	N/A	10	10
	15-30				N/A	8	8	8
	40-50				N/A	6	6	6

**NOTES:**

1. FLEXIBLE BUS BAR.
2. DISCONNECT TO RUN CONTACTOR      1/0, 1S & 2S TO AUTO XFMR. #4.
3. DISCONNECT TO RUN CONTACTOR      4/0, 1S & 2S TO AUTO XFMR. #1.
4. DISCONNECT TO RUN CONTACTOR (2) 4/0, 1S & 2S TO AUTO XFMR. 4/0.



## CONTROL AND POWER WIRES FOR SC/PE UNITS

(ALL WIRES ARE BLACK UNLESS STATED "R" RED, "G" GREEN, "B" BLACK)

BULLETIN	SIZE AMPS KVA	TRANSFORMER			DISCONNECT TO		CONTACTOR TO	
		PRI.	SEC.	GROUND	STABS	BUS	DISC.	T.B'S
2172/2173	2	16 B	16 R	14 G	8	N/A	8	8
	3				4		4	4
	4				N/A	1	NOTE: 2	N/A
	5				4/0	4/0	NOTE: 3	
	6				(2) 4/0	4/0	NOTE: 4	
2192F	30	N/A	N/A	N/A	10	N/A	N/A	10
	30				N/A	10		N/A
	60				6	N/A		6
	60				N/A	6		N/A
	100				4	N/A		
	100				N/A	4		
	200				(2) 4	N/A		
	200				N/A	4/0		4/0
2192F/2192M	400	N/A	N/A	N/A	N/A	250	N/A	N/A
	600				BUSSED TO VERT/HORZ CONNECTION			
	800							
	1200							
2193F	100	N/A	N/A	N/A	4	N/A	N/A	N/A
	100				N/A	1		
	150				(2) 6	N/A		
	150				N/A	1		
	225				(2) 4	N/A		
	225				N/A	3/0		
2193F/2193M	400	N/A	N/A	N/A	N/A	250	N/A	N/A
	600					(2) 250		
	800					(2) 350		
	1200					(3) 350		
	2000					BUSSED TO VERT/HORZ CONNECTION		

BULLETIN	KVA	VOLTS	PHASE	TRANSFORMER			DISCONNECT TO	
				PRI.	SEC.	GROUND	STABS	XFMR.
2196	.5	240	1	10 B	12 R	14 G	10	10
		480						
		600						
	1	1	240	10 B	12 R	14 G	10	10
			480					
			600					
	2	1	240	10 B	12 R	12 G	10	10
			480					
			600					
	3	1	240	10 B	8 R	8 G	10	10
			480					
			600					

**NOTES:**

1. FLEXIBLE BUS BAR.
2. DISCONNECT TO RUN CONTACTOR      1/0, 1S & 2S TO AUTO XFMR. #4.
3. DISCONNECT TO RUN CONTACTOR      4/0, 1S & 2S TO AUTO XFMR. #1.
4. DISCONNECT TO RUN CONTACTOR (2) 4/0, 1S & 2S TO AUTO XFMR. 4/0.

## CONTROL AND POWER WIRES FOR SC/PE UNITS

(ALL WIRES ARE BLACK UNLESS STATED "R" RED, "G" GREEN, "B" BLACK)

BULLETIN	KVA	VOLTS	PHASE	TRANSFORMER			DISCONNECT TO		
				PRI.	SEC.	GROUND	STABS	XFMR.	
2196	5	240	1	10 B	8 R	8 G	10	10	
		480							
		600							
	7.5	240	1	8 B	8 R	8 G	8 G	6	8
		480						10	
		600							
	10	240	1	8 B	8 R	8 G	8 G	6	8
		480						10	
		600							
	15	240	1	8 B	8 R	8 G	8 G	4	8
		480						6	
		600							
		480	3					10	
		600							
	25	240	1	4 B	4 R	8 G	8 G	(2)4	8
		480		8 B				6	
		600		10					
	30	480	3	8 B	4 R	8 G	8 G	6	8
600									
2197	.5	240	1	10 B	12 R	14 G	4	10	
		480							
		600							
	1	240	1	10 B	12 R	14 G	14 G	4	10
		480							
		600							
	2	240	1	10 B	12 R	12 G	12 G	4	10
		480							
		600							
	3	240	1	10 B	8 R	8 G	8 G	4	10
		480							
		600							
	5	240	1	10 B	8 R	8 G	8 G	4	10
		480							
		600							
	7.5	240	1	8 B	8 R	8 G	8 G	4	8
		480							
		600							
	10	240	1	8 B	8 R	8 G	8 G	4	8
		480							
		600							
	15	240	1	8 B	8 R	8 G	8 G	4	8
		480							
		600							
480		3	4						
600									
25	240	1	4 B	4 R	8 G	8 G	(2)4	8	
	480		8 B				4		
	600								
30	480	3	8 B	4 R	8 G	8 G	4	8	
	600								

## CONTROL AND POWER WIRES FOR SC/PE UNITS

(ALL WIRES ARE BLACK UNLESS STATED "R" RED, "G" GREEN, "B" BLACK)

BULLETIN	SIZE AMPS KVA	TRANSFORMER			DISCONNECT TO		CONTACTOR TO	
		PRI.	SEC.	GROUND	STABS	BUS	DISC.	T.B'S
2402L	60		18 R		6	N/A	6	6
2403L	30		18 R		10	N/A	10	10
	60				6		6	6
2406	18-30		18 R		10	N/A	10	10
	38-45				8		8	8
	60-75				6		6	6
2407	18-30		18 R		10	N/A	10	10
	38-45				8		8	8
	60-75				6		6	6
2412	18-30		18 R		10	N/A	10	10
	38-45				8		8	8
	60-75				6		6	6
2413	18-30		18 R		10	N/A	10	10
	38-45				8		8	8
	60-75				6		6	6
2422E	18-30		18 R		10	N/A	10	10
	38-45				8		8	8
	60-75				6		6	6
2423E	18-30		18 R		10	N/A	10	10
	38-45				8		8	8
	60-75				6		6	6

**CONTROL AND POWER WIRE FOR BULLETIN 2100 & 2400 UNITS**

PART NUMBER	COLOR	GAGE	STRAND	TYPE	VOLTS	NOTES
R5814-507	RED	#18	16	MTW	600	2400 CONTROL
R	BLACK					2400 CONTROL
R5814-431	RED	#16	19	MTW	600	2100 CONTROL
R5814-433	BLACK		26			2100 CONTROL
R5814-466	RED	#14	41	MTW	600	
R5814-404	BLACK					
R5814-421	WHITE		19			
R5814-467	GREEN		41	SIS		
R5814-457	RED					
R5814-476	BLACK					
R5814-474	BLUE					
R5814-407	RED		#12	19		MTW
R5814-402	BLACK					
R5814-455	GREEN					
R5814-408	WHITE					
R5814-306	BLACK	#10	19	MTW	600	
R5814-303	RED	#8	19	MTW	600	
R5814-301	BLACK					
R5814-321	WHITE					
R5814-308	GREEN					
R5814-214	BLACK	#6	84	----	600	HYPALON 105 DEG.
R5814-206	RED	#4	19	MTW	600	
R5814-210	BLACK		133	----		HYPALON 105 DEG.
R5814-221	WHITE		19	MTW		
R5814-211	GREEN		#2	19		MTW

**CONNECTORS USED FOR INTERWIRING BETWEEN SHIPPING BLOCKS**

PART NUMBER	DESCRIPTION
22105-221-01	15 PIN FEMALE PLUG CONNECTOR, AMP #1-48711-0
22105-222-01	15 PIN MALE PLUG CONNECTOR, AMP #1-48710-0
22148-222-01	FEMALE PIN FOR ABOVE CONNECTOR, AMP #350551-1
22148-221-01	MALE PIN FOR ABOVE CONNECTOR, AMP #350550-1

**NOTES:**

- 1: WIRE MARKER DATA TABS PART# 26500-006-01 (BRADY #DAT-6-B642-10)
- 2: WIRE MARKER DATA SLEEVES PART# 26500-004-03 (BRADY #HCPS.9-3750W)

## CONTROL AND POWER FUSE INDEX

PART NUMBER	MANUFACTURE			CURRENT		MAX. VOLT RATE	PAGE	NOTES
	BUSS MANN	GOULD	LITTE FUSE	MIN.	MAX.			
X-2761**	FNM	TRM	FLM	0.3	10	250	118	DUAL ELEMENT
X-3119**	KTK	ATM	KLK	0.1	30	600	122	FAST-ACTING
25172-251	JKS	A4J	JLS	1.0	60	600	124	CURRENT LIMITING
25172-252	JKS	A4J	JLS	70.0	600	600	124	CURRENT LIMITING
25172-258	---	ATM	---	3.0	12	600	123	FAST-ACTING
25172-260	KTK-R	ATM-R	KLK-R	0.1	30	600	122	CLASS CC,FAST BLOW
25178-234	---	A50P	---	40.0	60	500	124	SEMICONDUCTOR FUSE
25178-235	---	A50P	---	80.0	1200	500	124	SEMICONDUCTOR FUSE
25183-153	FRN-R	---	---	35.0	60	250	120	DUAL ELEMENT
25183-154	FRN-R	---	---	70.0	600	250	120	DUAL ELEMENT
25183-159	FRN-R	---	---	0.1	30	250	120	DUAL ELEMENT
25183-161	---	TR-R	---	0.1	30	250	121	DUAL ELEMENT
25183-162	---	TR-R	---	35.0	60	250	121	DUAL ELEMENT
25183-163	---	TR-R	---	70.0	600	250	121	DUAL ELEMENT
25183-164	---	TRM	---	0.1	30	250	119	TRI-ONIC
25183-166	FNM	---	---	0.1	10	250	118	FUSETRON
25183-167	MDA	---	---	.125	1.50	250	119	DUAL ELEMENT
25183-170	---	---	FLM	0.1	30	250	119	DUAL ELEMENT
25183-174	---	---	3AB	0.1	20	250	118	DUAL ELEMENT
25183-249	LPS-R	---	---	0.1	30	600	125	DUAL ELEMENT
25183-250	LPS-R	---	---	35.0	60	600	125	DUAL ELEMENT
25183-251	LPS-R	---	---	70.0	600	600	125	DUAL ELEMENT
25183-258	FRS-R	---	---	0.1	30	600	126	DUAL ELEMENT
25183-259	FRS-R	---	---	35.0	60	600	126	DUAL ELEMENT
25183-260	FRS-R	---	---	70.0	100	600	126	DUAL ELEMENT
25183-261	---	A6D-R	---	0.1	30	600	127	TIME DELAY
25183-262	---	A6D-R	---	35.0	60	600	127	TIME DELAY
25183-263	---	A6D-R	---	70.0	600	600	127	TIME DELAY
25183-264	---	TRS-R	---	0.1	30	600	128	TIME DELAY
25183-265	---	TRS-R	---	35.0	60	600	128	TIME DELAY
25183-266	---	TRS-R	---	70.0	600	600	128	TIME DELAY
25183-272	---	---	KLDR	0.1	10	600	123	CLASS CC,SLOW BLOW
25184-251	---	AJT	---	1.0	600	600	123	CLASS J,TIME DELAY

## CONTROL AND POWER FUSE CROSS-REFERENCE

UL CLASS	AMP RATING		MAX. VOLT RATING	BUSSMANN	ECONOMY	GOULD-SHAWMUT	LITTELFUSE
	MIN.	MAX.					
RK5	.1	600	250	FUSETRON FRN-R	ECN-R	TRI-ONIC TR (AMPS) R	FLN-R
			600	FUSETRON FRS-R	ECS-R	TRI-ONIC TRS (AMPS) R	FLS-R
RK5	1	600	250	LOW PEAK LPN-R	LEN-R	AMP-TRAP AT-DE (AMPS) R	LLN-RK
			600	LOW PEAK LPS-R	LES-R	AMP-TRAP ATS-DE (AMPS) R	LLS-RK
RK1	1	600	250	LOW PEAK LPN-R		AMP-TRAP II A2D (AMPS) R	LLN-R
			600	LOW PEAK LPS-R		AMP-TRAP II A6D (AMPS) R	LLS-R
RK1	1	600	250	LIMITRON KTN-R	NCL-R	AMP-TRAP A2K (AMPS) R	
			600	LIMITRON KTS-R	SCL-R	AMP-TRAP A6K (AMPS) R	
L	601	6000	600	LIMITRON KUT	LCL	AMP-TRAP A4BY (AMPS)	KLP-C
				HI CAP KRP-C		AMP-TRAP A4BY (AMPS)	
J	1	600	600	LIMITRON JKS	JCL	AMP-TRAP A4J (AMPS)	JLS
MISC.	1	30	250	BAF, BAN	MOL	OTM	BLF
				FNM	MAN	TRM	FLM
			600	KTK	MCL	A6Y (AMPS) 2	KLK
KTK-R		ATM-R		KLK-R			

**NOTES:**

1: REFER TO FUSE MANUFACTURER'S APPLICATION RECOMMENDATIONS. MANY FUSES ARE NOT RATED TO OPERATE CONTINUOUSLY AT 100% OF THEIR RATING. IN SOME CASES FUSES SHOULD NOT BE OPERATED CONTINUOUSLY BEYOND 80% OF THEIR RATING.

## FUSE INFORMATION AND SELECTION

1.25 X .25" DIA., BUSSMANN, DUAL ELEMENT CONTROL FUSE							
TYPE	VOLTS	AMP	PART NUMBER	TYPE	VOLTS	AMP	PART NUMBER
3AB	250	.1	25183-174-01	3AB	250	.15	25183-174-02
		.2	25183-174-03			.3	25183-174-04
		.4	25183-174-05			.5	25183-174-06
		.6	25183-174-07			.8	25183-174-08
		1.0	25183-174-09			1.25	25183-174-10
		1.5	25183-174-11			1.6	25183-174-12
		1.8	25183-174-13			2.0	25183-174-14
		2.5	25183-174-15			2.8	25183-174-16
		3.0	25183-174-17			3.2	25183-174-18
		4.0	25183-174-19			5.0	25183-174-20
		6.25	25183-174-21			7.0	25183-174-22
		8.0	25183-174-23			10.0	25183-174-24
		12.0	25183-174-25			15.0	25183-174-26
		20.0	25183-174-27				

1.5" X .41" DIA., FUSES FOR CONTROL CIRCUIT PROTECTION REF: PUB. 2100-6.1 "CONTROL CIRCUIT TRANSFORMER & FUSES"								
VOLTS	AMP	PART NUMBER	BUSS MANN	GOULD	LITTE LFUSE	VOLTS	AMP	PART NUMBER
250	.3	X-276124	FNM	TRM	FLM	250	.5	X-276119
	.6	X-276125					1.0	X-276126
	1.25	X-276120					1.6	X-276127
	1.8	X-276132					2.0	X-276121
	2.25	X-276133					2.5	X-276128
	3.2	X-276122					5.0	X-276123
	6.25	X-276129					8.0	X-276130
	10.0	X-276131						

1.5" X .41" DIA., BUSSMANN "FUSETRON" DUAL-ELEMENT FUSE							
TYPE	VOLTS	AMP	PART NUMBER	TYPE	VOLTS	AMP	PART NUMBER
FNM	250	.1	25183-166-01	FNM	250	.15	25183-166-02
		.2	25183-166-03			.3	25183-166-04
		.4	25183-166-05			.5	25183-166-06
		.6	25183-166-07			.8	25183-166-08
		1.0	25183-166-09			1.125	25183-166-10
		1.25	25183-166-11			1.4	25183-166-12
		1.6	25183-166-13			1.8	25183-166-14
		2.0	25183-166-15			2.25	25183-166-16
		2.5	25183-166-17			2.8	25183-166-18
		----	25183-166-19			3.2	25183-166-20
		3.5	25183-166-21			4.0	25183-166-22
		4.5	25183-166-23			5.0	25183-166-24
		5.6	25183-166-25			----	25183-166-26
		6.25	25183-166-27			7.0	25183-166-28
		8.0	25183-166-29			9.0	25183-166-30
		10.0	25183-166-31				

## FUSE INFORMATION AND SELECTION

1.5" X .41" DIA., GOULD SHAWMUT "TRI--ONIC" DUAL-ELEMENT FUSE							
TYPE	VOLTS	AMP	PART NUMBER	TYPE	VOLTS	AMP	PART NUMBER
TRM	250	.1	25183-164-01	TRM	250	.15	25183-164-02
		.2	25183-164-03			.3	25183-164-04
		.4	25183-164-05			.5	25183-164-06
		.6	25183-164-07			.8	25183-164-08
		1.0	25183-164-09			1.125	25183-164-10
		1.25	25183-164-11			1.4	25183-164-12
		1.6	25183-164-13			1.8	25183-164-14
		2.0	25183-164-15			2.25	25183-164-16
		2.5	25183-164-17			2.8	25183-164-18
		3.0	25183-164-19			3.2	25183-164-20
		3.5	25183-164-21			4.0	25183-164-22
		4.5	25183-164-23			5.0	25183-164-24
		5.6	25183-164-25			6.0	25183-164-26
		6.25	25183-164-27			7.0	25183-164-28
		8.0	25183-164-29			9.0	25183-164-30
		10.0	25183-164-31			12.0	25183-164-32
		15.0	25183-164-33			17.5	25183-164-34
20.0	25183-164-35	25.0	25183-164-36				
30.0	25183-164-37						

1.5" X .41" DIA., LITTELFUSE "DUAL-ELEMENT" FUSE							
TYPE	VOLTS	AMP	PART NUMBER	TYPE	VOLTS	AMP	PART NUMBER
FLM	250	.1	25183-170-01	FLM	250	.15	25183-170-02
		.2	25183-170-03			.3	25183-170-04
		.4	25183-170-05			.5	25183-170-06
		.6	25183-170-07			.8	25183-170-08
		1.0	25183-170-09			1.125	25183-170-10
		1.25	25183-170-11			1.4	25183-170-12
		1.6	25183-170-13			1.8	25183-170-14
		2.0	25183-170-15			2.25	25183-170-16
		2.5	25183-170-17			2.8	25183-170-18
		3.0	25183-170-19			3.2	25183-170-20
		3.5	25183-170-21			4.0	25183-170-22
		4.5	25183-170-23			5.0	25183-170-24
		5.6	25183-170-25			6.0	25183-170-26
		6.25	25183-170-27			7.0	25183-170-28
		8.0	25183-170-29			9.0	25183-170-30
		10.0	25183-170-31			12.0	25183-170-32
		15.0	25183-170-33			----	25183-170-34
20.0	25183-170-35	25.0	25183-170-36				
30.0	25183-170-37						

1.25" X .25" DIA., "BUSSMANN" DUAL-ELEMENT FUSE							
TYPE	VOLTS	AMP	PART NUMBER	TYPE	VOLTS	AMP	PART NUMBER
MDA	250	.125	25183-167-01	MDA	250	.50	25183-167-02
MDA	250	1.60	25183-167-03	MDA	250	1.50	25183-167-04



## FUSE INFORMATION AND SELECTION

<b>2" X .562" DIA., BUSSMANN, DUAL ELEMENT "REJECTION" POWER FUSE</b>							
TYPE	VOLTS	AMP	PART NUMBER	TYPE	VOLTS	AMP	PART NUMBER
FRN-R	250	.1	25183-159-01	FRN-R	250	.15	25183-159-02
		.2	25183-159-03			.3	25183-159-04
		.4	25183-159-05			.5	25183-159-06
		.6	25183-159-07			.8	25183-159-08
		1.0	25183-159-09			1.125	25183-159-10
		1.25	25183-159-11			1.4	25183-159-12
		1.6	25183-159-13			1.8	25183-159-14
		2.0	25183-159-15			2.25	25183-159-16
		2.5	25183-159-17			2.8	25183-159-18
		3.0	25183-159-36			3.2	25183-159-19
		3.5	25183-159-20			4.0	25183-159-21
		4.5	25183-159-22			5.0	25183-159-23
		5.6	25183-159-24			6.0	25183-159-37
		6.25	25183-159-25			7.0	25183-159-26
		8.0	25183-159-27			9.0	25183-159-28
		10.0	25183-159-29			12.0	25183-159-30
		15.0	25183-159-31			17.5	25183-159-32
		20.0	25183-159-33			25.0	25183-159-34
		30.0	25183-159-35				

<b>3" X .812" DIA., BUSSMANN, DUAL-ELEMENT "REJECTION" POWER FUSE</b>							
TYPE	VOLTS	AMP	PART NUMBER	TYPE	VOLTS	AMP	PART NUMBER
FRN-R	250	35	25183-153-01	FRN-R	250	40	25183-153-02
		45	25183-153-03			50	25183-153-04
		60	25183-153-05				

<b>BUSSMANN, DUAL ELEMENT "REJECTION" POWER FUSE</b>							
TYPE	VOLTS	AMP	PART NUMBER	TYPE	VOLTS	AMP	PART NUMBER
FRN-R	250	70	25183-154-01	FRN-R	250	80	25183-154-02
		90	25183-154-03			100	25183-154-04
		110	25183-154-05			125	25183-154-06
		150	25183-154-07			175	25183-154-08
		200	25183-154-09				
		225	25183-154-10	FRN-R	250	250	25183-154-11
		300	25183-154-12			350	25183-154-13
		400	25183-154-14				
		450	25183-154-15	FRN-R	250	500	25183-154-16
		600	25183-154-17				

## FUSE INFORMATION AND SELECTION

2" X .562" DIA., GOULD, DUAL ELEMENT "REJECTION" POWER FUSE							
TYPE	VOLTS	AMP	PART NUMBER	TYPE	VOLTS	AMP	PART NUMBER
TR-R	250	.1	25183-161-01	TR-R	250	.15	25183-161-02
		.2	25183-161-03			.3	25183-161-04
		.4	25183-161-05			.5	25183-161-06
		.6	25183-161-07			.8	25183-161-08
		1.0	25183-161-09			1.125	25183-161-10
		1.25	25183-161-11			1.4	25183-161-12
		1.6	25183-161-13			1.8	25183-161-14
		2.0	25183-161-15			2.25	25183-161-16
		2.5	25183-161-17			2.8	25183-161-18
		3.0	25183-161-36			3.2	25183-161-19
		3.5	25183-161-20			4.0	25183-161-21
		4.5	25183-161-22			5.0	25183-161-23
		5.6	25183-161-24			6.0	25183-161-37
		6.25	25183-161-25			7.0	25183-161-26
		8.0	25183-161-27			9.0	25183-161-28
		10.0	25183-161-29			12.0	25183-161-30
		15.0	25183-161-31			17.5	25183-161-32
		20.0	25183-161-33			25.0	25183-161-34
		30.0	25183-161-35				

3" X .812" DIA., GOULD, DUAL-ELEMENT "REJECTION" POWER FUSE							
TYPE	VOLTS	AMP	PART NUMBER	TYPE	VOLTS	AMP	PART NUMBER
TR-R	250	35	25183-162-01	TR-R	250	40	25183-162-02
		45	25183-162-03			50	25183-162-04
		60	25183-162-05				

GOULD, DUAL ELEMENT "REJECTION" POWER FUSE							
TYPE	VOLTS	AMP	PART NUMBER	TYPE	VOLTS	AMP	PART NUMBER
TR-R	250	70	25183-163-01	TR-R	250	80	25183-163-02
		90	25183-163-03			100	25183-163-04
		110	25183-163-05			125	25183-163-06
		150	25183-163-07			175	25183-163-08
		200	25183-163-09				
		225	25183-163-10	TR-R	250	250	25183-163-11
		300	25183-163-12			350	25183-163-13
		400	25183-163-14				
		450	25183-163-15	TR-R	250	500	25183-163-16
		600	25183-163-17				

## FUSE INFORMATION AND SELECTION

HIGH INTERRUPTING FUSE FOR XFMR. PRIMARY AND POWER CIRCUITS						
NOTE: "DISCONTINUED" THESE ARE TO BE REPLACED BY THE FOLLOWING						
VOLTS	BUSSMANN	GOULD	LITTELFUSE	AMP	PART NUMBER	CROSS-REFERENCE
600	KTK	ATM	KLK	.1	X-311970	25183-272-01
				.125	X-311971	25183-272-02
				.2	X-311972	25183-272-05
				.25	X-311973	25183-272-06
				.3	X-311974	25183-272-07
				.5	X-311975	25183-272-09
				.75	X-311976	25183-272-11
				1.0	X-311977	25183-272-13
				1.5	X-311978	25183-272-17
				2.0	X-311979	25183-272-20
				3.0	X-311980	25183-272-24
				4.0	X-311981	25183-272-27
				5.0	X-311982	25183-272-29
				6.0	X-311983	25183-272-31
				8.0	X-311984	25172-260-18
				10.0	X-311985	25183-272-35
				15.0	X-311986	25172-260-22
20.0	X-311987	25172-260-23				
25.0	X-311988	25172-260-24				
30.0	X-311989	25172-260-25				

1.5" X .41" DIA., CLASS "CC", FAST-ACTING FUSE						
NOTE: "DISCONTINUED" THESE ARE TO BE REPLACED BE THE FOLLOWING						
VOLTS	BUSSMANN	GOULD	LITTELFUSE	AMP	PART NUMBER	CROSS-REFERENCE
600	KTK-R	ATM-R	KLK-R	.1	25172-260-01	25183-272-01
				.125	25172-260-02	25183-272-02
				.2	25172-260-03	25183-272-05
				.25	25172-260-04	25183-272-06
				.3	25172-260-05	25183-272-07
				.5	25172-260-06	25183-272-09
				.75	25172-260-07	25183-272-11
				1.0	25172-260-08	25183-272-13
				1.5	25172-260-09	25183-272-17
				2.0	25172-260-10	25183-272-20
				2.5	25172-260-11	25183-272-22
				3.0	25172-260-12	25183-272-24
				3.5	25172-260-13	25183-272-26
				4.0	25172-260-14	25183-272-27
				5.0	25172-260-15	25183-272-29
				6.0	25172-260-16	25183-272-31
				7.0	25172-260-17	25183-272-33
				8.0	25172-260-18	-----
				9.0	25172-260-19	-----
				10.0	25172-260-20	25183-272-35
12.0	25172-260-21	-----				
15.0	25172-260-22	-----				
20.0	25172-260-23	-----				
25.0	25172-260-24	-----				
30.0	25172-260-25	-----				

## FUSE INFORMATION AND SELECTION

<b>1.5" X .41 DIA., "FAST-ACTING FUSE" BUSSMANN OR LITTELFUSE</b>				
<b>NOTE: "DISCONTINUED" THESE ARE TO BE REPLACED BY THE FOLLOWING</b>				
TYPE	VOLTS	AMP	PART NUMBER	CROSS-REFERENCE
ATM	600	12	25172-258-01	25172-260-21
		3	25172-258-02	25183-272-24

<b>1.5" X .41" DIA., "LITTELFUSE" CLASS "CC" CONTROL AND POWER FUSE</b>							
<b>REF: PUB. 2100-6.1 "CONTROL CIRCUIT TRANSFORMERS &amp; FUSING"</b>							
TYPE	VOLTS	AMP	PART NUMBER	TYPE	VOLTS	AMP	PART NUMBER
KLDR	600	.1	25183-272-01	KLDR	600	.125	25183-272-02
		.15	25183-272-03			.187	25183-272-04
		.2	25183-272-05			.25	25183-272-06
		.3	25183-272-07			.4	25183-272-08
		.5	25183-272-09			.6	25183-272-10
		.75	25183-272-11			.8	25183-272-12
		1.0	25183-272-13			1.125	25183-272-14
		1.25	25183-272-15			1.4	25183-272-16
		1.5	25183-272-17			1.6	25183-272-18
		1.8	25183-272-19			2.0	25183-272-20
		2.25	25183-272-21			2.5	25183-272-22
		2.8	25183-272-23			3.0	25183-272-24
		3.2	25183-272-25			3.5	25183-272-26
		4.0	25183-272-27			4.5	25183-272-28
		5.0	25183-272-29			5.6	25183-272-30
		6.0	25183-272-31			6.25	25183-272-32
		7.0	25183-272-33			7.5	25183-272-34
		10.0	25183-272-35				

<b>CLASS "J", 600 VOLTS, HIGH INTERRUPTING, TIME DELAY FUSE</b>							
<b>NOTE: USED ON SMC (2154 &amp; 2155, 1 TO 350 H.P.)</b>							
TYPE	VOLTS	AMP	PART NUMBER	TYPE	VOLTS	AMP	PART NUMBER
AJT	600	1	25184-251-01	AJT	600	3	25184-251-02
		6	25184-251-03			10	25184-251-04
		15	25184-251-05			20	25184-251-06
		25	25184-251-07			30	25184-251-08
		35	25184-251-09			40	25184-251-10
		45	25184-251-11			50	25184-251-12
		60	25184-251-13				
		70	25184-251-14	80	25184-251-15		
		90	25184-251-16	100	25184-251-17		
		110	25184-251-18	125	25184-251-19		
		150	25184-251-20	175	25184-251-21		
		200	25184-251-22				
		225	25184-251-23	250	25184-251-24		
		300	25184-251-25	350	25184-251-26		
		400	25184-251-27				
		450	25184-251-28	500	25184-251-29		
		600	25184-251-30				

## FUSE INFORMATION AND SELECTION

500 VOLT, CURRENT LIMITING FUSE FOR SEMICONDUCTOR PROTECTION									
TYPE	VOLTS	AMP	PART NUMBER	TYPE	VOLTS	AMP	PART NUMBER		
A50P	500	40	25178-234-02	A50P	500	50	25178-234-03		
		60	25178-234-04			A50P	500	100	25178-235-02
		80	25178-235-01					150	25178-235-03
		125	25178-235-14	A50P	500			300	25178-235-06
		200	25178-235-04			400	25178-235-08		
		250	25178-235-05			600	25178-235-10		
		350	25178-235-07			1000	25178-235-12		
		500	25178-235-09						
		800	25178-235-11						
		1200	25178-235-13						

CLASS "J", 600 VOLTS, HIGH INTERRUPTING, CURRENT LIMITING, FUSES					
VOLTS	BUSSMANN	GOULD	LITTELFUSE	AMP	PART NUMBER
600	JKS	A4J	JLS	1	25172-251-01
				3	25172-251-02
				6	25172-251-03
				10	25172-251-04
				15	25172-251-05
				20	25172-251-06
				25	25172-251-07
				30	25172-251-08
				35	25172-251-09
				40	25172-251-10
				45	25172-251-11
				50	25172-251-12
				60	25172-251-13
				70	25172-252-01
				80	25172-252-02
				90	25172-252-03
				100	25172-252-04
				110	25172-252-05
				125	25172-252-06
				150	25172-252-07
				175	25172-252-08
				200	25172-252-09
				225	25172-252-10
				250	25172-252-11
				300	25172-252-12
				350	25172-252-13
				400	25172-252-14
				450	25172-252-15
500	25172-252-16				
600	25172-252-17				

## FUSE INFORMATION AND SELECTION

5" X .812" DIA., BUSSMANN, DUAL ELEMENT, LOW PEAK, "R" POWER FUSE							
TYPE	VOLTS	AMP	PART NUMBER	TYPE	VOLTS	AMP	PART NUMBER
LPS-R	600	.1	25183-249-01	LPS-R	600	.15	25183-249-02
		.2	25183-249-03			.3	25183-249-04
		.4	25183-249-05			.5	25183-249-06
		.6	25183-249-07			.8	25183-249-08
		1.0	25183-249-09			1.125	25183-249-10
		1.25	25183-249-11			1.4	25183-249-12
		1.6	25183-249-13			1.8	25183-249-14
		2.0	25183-249-15			2.25	25183-249-16
		2.5	25183-249-17			2.8	25183-249-18
		3.0	25183-249-36			3.2	25183-249-19
		3.5	25183-249-20			4.0	25183-249-21
		4.5	25183-249-22			5.0	25183-249-23
		5.6	25183-249-24			6.0	25183-249-37
		6.25	25183-249-25			7.0	25183-249-26
		8.0	25183-249-27			9.0	25183-249-28
		10.0	25183-249-29			12.0	25183-249-30
		15.0	25183-249-31			17.5	25183-249-32
20.0	25183-249-33	25.0	25183-249-34				
30.0	25183-249-35						

5.5" X 1.062" DIA., BUSSMANN, DUAL ELEMENT, LOW PEAK, "R" POWER FUSE							
TYPE	VOLTS	AMP	PART NUMBER	TYPE	VOLTS	AMP	PART NUMBER
LPS-R	600	35	25183-250-01	LPS-R	600	40	25183-250-02
		45	25183-250-03			50	25183-250-04
		60	25183-250-05				
		70	25183-251-01	LPS-R	600	80	25183-251-02
		90	25183-251-03			100	25183-251-04
		110	25183-251-05			125	25183-251-06
		150	25183-251-07			175	25183-251-08
		200	25183-251-09				
		225	25183-251-10	LPS-R	600	250	25183-251-11
		300	25183-251-12			350	25183-251-13
		350	25183-251-13			400	25183-251-14
		450	25183-251-15			500	25183-251-16
		600	25183-251-17				

## FUSE INFORMATION AND SELECTION

5" X .812" DIA., BUSSMANN, DUAL ELEMENT "REJECTION" POWER FUSE							
TYPE	VOLTS	AMP	PART NUMBER	TYPE	VOLTS	AMP	PART NUMBER
FRS-R	600	.1	25183-258-01	FRS-R	600	.15	25183-258-02
		.2	25183-258-03			.3	25183-258-04
		.4	25183-258-05			.5	25183-258-06
		.6	25183-258-07			.8	25183-258-08
		1.0	25183-258-09			1.125	25183-258-10
		1.25	25183-258-11			1.4	25183-258-12
		1.6	25183-258-13			1.8	25183-258-14
		2.0	25183-258-15			2.25	25183-258-16
		2.5	25183-258-17			2.8	25183-258-18
		3.0	25183-258-36			3.2	25183-258-19
		3.5	25183-258-20			4.0	25183-258-21
		4.5	25183-258-22			5.0	25183-258-23
		5.6	25183-258-24			6.0	25183-258-37
		6.25	25183-258-25			7.0	25183-258-26
		8.0	25183-258-27			9.0	25183-258-28
		10.0	25183-258-29			12.0	25183-258-30
		15.0	25183-258-31			17.5	25183-258-32
		20.0	25183-258-33			25.0	25183-258-34
		30.0	25183-258-35				

5.5" X 1.062" DIA., BUSSMANN, DUAL-ELEMENT "R" POWER FUSE							
TYPE	VOLTS	AMP	PART NUMBER	TYPE	VOLTS	AMP	PART NUMBER
FRS-R	600	35	25183-259-01	FRS-R	600	40	25183-259-02
		45	25183-259-03			50	25183-259-04
		60	25183-259-05				

BUSSMANN, DUAL-ELEMENT "R" POWER FUSE							
TYPE	VOLTS	AMP	PART NUMBER	TYPE	VOLTS	AMP	PART NUMBER
FRS-R	600	70	25183-260-01	FRS-R	600	80	25183-260-02
		90	25183-260-03			100	25183-260-04
		110	25183-260-05			125	25183-260-06
		150	25183-260-07			175	25183-260-08
		200	25183-260-09				
		225	25183-260-10	FRS-R	600	250	25183-260-11
		300	25183-260-12			350	25183-260-13
		400	25183-260-14				
		450	25183-260-15	FRS-R	600	500	25183-260-16
		600	25183-260-17				

## FUSE INFORMATION AND SELECTION

5" X .812" DIA., GOULD, TIME DELAY "REJECTION" POWER FUSE							
TYPE	VOLTS	AMP	PART NUMBER	TYPE	VOLTS	AMP	PART NUMBER
A6D-R	600	.1	25183-261-01	A6D-R	600	.15	25183-261-02
		.2	25183-261-03			.3	25183-261-04
		.4	25183-261-05			.5	25183-261-06
		.6	25183-261-07			.8	25183-261-08
		1.0	25183-261-09			1.125	25183-261-10
		1.25	25183-261-11			1.4	25183-261-12
		1.6	25183-261-13			1.8	25183-261-14
		2.0	25183-261-15			2.25	25183-261-16
		2.5	25183-261-17			2.8	25183-261-18
		3.0	25183-261-36			3.2	25183-261-19
		3.5	25183-261-20			4.0	25183-261-21
		4.5	25183-261-22			5.0	25183-261-23
		5.6	25183-261-24			6.0	25183-261-37
		6.25	25183-261-25			7.0	25183-261-26
		8.0	25183-261-27			9.0	25183-261-28
		10.0	25183-261-29			12.0	25183-261-30
		15.0	25183-261-31			17.5	25183-261-32
		20.0	25183-261-33			25.0	25183-261-34
		30.0	25183-261-35				

5.5" X 1.062" DIA., GOULD, TIME DELAY "REJECTION" POWER FUSE							
TYPE	VOLTS	AMP	PART NUMBER	TYPE	VOLTS	AMP	PART NUMBER
A6D-R	600	35	25183-262-01	A6D-R	600	40	25183-262-02
		45	25183-262-03			50	25183-262-04
		60	25183-262-05				

GOULD, TIME DELAY "REJECTION" POWER FUSE									
TYPE	VOLTS	AMP	PART NUMBER	TYPE	VOLTS	AMP	PART NUMBER		
A6D-R	600	70	25183-263-01	A6D-R	600	80	25183-263-02		
		90	25183-263-03			100	25183-263-04		
		110	25183-263-05			125	25183-263-06		
		150	25183-263-07			175	25183-263-08		
		200	25183-263-09						
		225	25183-263-10	A6D-R	600	250	25183-263-11		
		300	25183-263-12			350	25183-263-13		
		400	25183-263-14						
		450	25183-263-15	A6D-R	600	500	25183-263-16		
		600	25183-263-17						



## FUSE INFORMATION AND SELECTION

5" X .812" DIA., GOULD, TIME DELAY "REJECTION" POWER FUSE							
TYPE	VOLTS	AMP	PART NUMBER	TYPE	VOLTS	AMP	PART NUMBER
TRS-R	600	.1	25183-264-01	TRS-R	600	.15	25183-264-02
		.2	25183-264-03			.3	25183-264-04
		.4	25183-264-05			.5	25183-264-06
		.6	25183-264-07			.8	25183-264-08
		1.0	25183-264-09			1.125	25183-264-10
		1.25	25183-264-11			1.4	25183-264-12
		1.6	25183-264-13			1.8	25183-264-14
		2.0	25183-264-15			2.25	25183-264-16
		2.5	25183-264-17			2.8	25183-264-18
		3.0	25183-264-36			3.2	25183-264-19
		3.5	25183-264-20			4.0	25183-264-21
		4.5	25183-264-22			5.0	25183-264-23
		5.6	25183-264-24			6.0	25183-264-37
		6.25	25183-264-25			7.0	25183-264-26
		8.0	25183-264-27			9.0	25183-264-28
		10.0	25183-264-29			12.0	25183-264-30
		15.0	25183-264-31			17.5	25183-264-32
		20.0	25183-264-33			25.0	25183-264-34
		30.0	25183-264-35				

5.5" X 1.062" DIA., GOULD, TIME DELAY "REJECTION" POWER FUSE							
TYPE	VOLTS	AMP	PART NUMBER	TYPE	VOLTS	AMP	PART NUMBER
TRS-R	600	35	25183-265-01	TRS-R	600	40	25183-265-02
		45	25183-265-03			50	25183-265-04
		60	25183-265-05				

GOULD, TIME DELAY "REJECTION" POWER FUSE							
TYPE	VOLTS	AMP	PART NUMBER	TYPE	VOLTS	AMP	PART NUMBER
TRS-R	600	70	25183-266-01	TRS-R	600	80	25183-266-02
		90	25183-266-03			100	25183-266-04
		110	25183-266-05			125	25183-266-06
		150	25183-266-07			175	25183-266-08
		200	25183-266-09				
		225	25183-266-10	TRS-R	600	250	25183-266-11
		300	25183-266-12			350	25183-266-13
		400	25183-266-14				
		450	25183-266-15	TRS-R	600	500	25183-266-16
		600	25183-266-17				

## DEFINITIONS OF ABBREVIATIONS USED

---

<b>A</b>	AMP
<b>ABS</b>	ABSORBED
<b>ACC</b>	ACCESS
<b>AG</b>	SILVER
<b>AL</b>	ALUMINUM
<b>ASSY</b>	ASSEMBLY
<b>AUX</b>	AUXILIARY
<b>BELL</b>	BELLEVILLE
<b>BHSMS</b>	BINDING HEAD STEEL MACHINE SCREW
<b>BRKR</b>	BREAKER
<b>BLK</b>	BLOCK
<b>BPS</b>	BOLTED PRESSURE SWITCH
<b>BTM</b>	BOTTOM
<b>BUL:</b>	BULLETIN
<b>CAT</b>	CATALOG
<b>CB</b>	CIRCUIT BREAKER
<b>CKT</b>	CIRCUIT
<b>CL</b>	CLASS
<b>CLSG</b>	CLOSING
<b>CLWN</b>	CONICAL LOCK WASHER NUT
<b>CNTR</b>	CONTACTOR
<b>COL</b>	COLLECT
<b>CNTL</b>	CONTROL
<b>CONTIN</b>	CONTINUOUS
<b>CS</b>	CONTROL STATION
<b>CTR</b>	CENTER
<b>CU</b>	COPPER
<b>D</b>	DEPTH
<b>DISC</b>	DISCONNECT
<b>DIA</b>	DIAMETER
<b>DIM</b>	DIMENSION
<b>DS</b>	DISCONNECT
<b>DTH</b>	DEPTH
<b>EMERG</b>	EMERGENCY
<b>ETC</b>	ETCETERAS
<b>ETM</b>	ELAPSED TIME METER
<b>FH</b>	FLAT HEAD
<b>FHSMS</b>	FLAT HEAD STEEL MACHINE SCREW
<b>FIHSMS</b>	FILLISTER HEAD STEEL MACHINE SCREW
<b>FLT</b>	FAULT
<b>FOR</b>	FORWARD
<b>GRD</b>	GROUND
<b>HD</b>	HEAD
<b>HRWD</b>	HARDWARE
<b>HHSCS</b>	HEX HEAD STEEL CAP SCREW
<b>HMS</b>	HEX MACHINE SCREW
<b>HMSN</b>	HEX MACHINE SCREW NUT

## DEFINITIONS OF ABBREVIATIONS USED

---

<b>HNDL</b>	HANDLE
<b>HORZ</b>	HORIZONTAL
<b>HP</b>	HORSE POWER
<b>HSHSCS</b>	HEX SOCKET HEAD STEEL
<b>HSHSMS</b>	HEX SOCKET HEAD STEEL
<b>HWHSSTS</b>	HEX WASHER HEAD STEEL
<b>ID</b>	INSIDE DIAMETER
<b>IHH</b>	INDENTED HEX HEAD SCREW
<b>IHHS</b>	INDENTED HEX HEAD STEEL CAP SCREW
<b>IHWSDSTS</b>	INDENTED HEX WASHER HEAD STEEL DOUBLE SELF-TAP.SCR.
<b>IHWSSD</b>	INDENTED HEX WASHER HEAD STEEL SELF-DRILLING SCREW
<b>IHWSSSTS</b>	INDENTED HEX WASHER HEAD STEEL SELF-TAPPING SCREW
<b>INC</b>	INCOMING
<b>INSL</b>	INSULATION
<b>INST</b>	INSTANTANEOUS
<b>INT</b>	INTERNAL
<b>KVA</b>	KILO-VOLT-AMPS
<b>LH</b>	LEFTHAND
<b>LIM</b>	LIMITER
<b>MACH</b>	MACHINE
<b>MAG</b>	MAGNETIC
<b>M-C</b>	MOLDED CASE
<b>MCC</b>	MOTOR CONTROL CENTER
<b>MONO</b>	MONOGRAM
<b>MTG</b>	MOUNTING
<b>NBR</b>	NUMBER
<b>NC</b>	NORMALLY CLOSED
<b>NO</b>	NORMALLY OPEN
<b>NP</b>	NAMEPLATE
<b>OD</b>	OUTSIDE DIAMETER
<b>PB</b>	PUSH BUTTON
<b>PH</b>	PHASE '0'
<b>PHS</b>	PAN HEAD SCREW
<b>PHSMS</b>	PAN HEAD STEEL MACHINE SCREW
<b>PHSSMS</b>	PAN HEAD STAINLESS STEEL MACHINE SCREW
<b>PHSSTS</b>	PAN HEAD STEEL SELF-TAPPING SCREW
<b>PNL</b>	PANEL
<b>POS</b>	POSITION
<b>PPB</b>	PRE-PAID BILLED
<b>PRI</b>	PRIMARY
<b>PROT</b>	PROTECTED
<b>PUB</b>	PUBLICATION
<b>QTY</b>	QUANTITY
<b>REF</b>	REFERENCE
<b>REQ</b>	REQUIRED
<b>RH</b>	ROUND HEAD OR RIGHT HAND

## DEFINITIONS OF ABBREVIATIONS USED

---

<b>RHRNCB</b>	ROUND HEAD RIBBED NECK CARRIAGE BOLT
<b>RHSMS</b>	ROUND HEAD STEEL MACHINE SCREW
<b>RHSNCB</b>	ROUND HEAD SQUARE NECK CARRIAGE BOLT
<b>SEC</b>	SECONDARY CAP SCREW
<b>SECT</b>	SECTION DEFINITIONS OF ABBREVIATIONS USED
<b>SEL</b>	SELECTOR/MACHINE SCREW
<b>SER</b>	SERIAL OR SERIES
<b>SF</b>	SPACE FACTOR/SELF-TAPPING SCREW
<b>SHHSCS</b>	SLOTTED HEX HEAD STEEL
<b>SHWHSCS</b>	SLOTTED HEX WASHER HEAD STEEL CAP SCREW
<b>SHWHSSTS</b>	SLOTTED HEX WASHER HEAD STEEL SELF-TAPPING SCREW
<b>SIL</b>	SILVER
<b>SLWN</b>	STAR LOCK WASHER NUT
<b>SMC</b>	SMART MOTOR CONTROL
<b>SN</b>	TIN
<b>SP</b>	SPECIAL
<b>SPHSMS</b>	SLOTTED PAN HEAD STEEL MACHINE SCREW
<b>SPHSSTS</b>	SLOTTED PAN HEAD STEEL SELF-TAPPING SCREW
<b>SPL</b>	SPECIAL
<b>SPRG</b>	SPRING
<b>SQHSS</b>	SQUARE HEAD STEEL SCREW
<b>ST</b>	SELF-TAPPING OR STATION
<b>STA</b>	STATION
<b>STAT</b>	STATION
<b>STD</b>	STANDARD
<b>ST NUT</b>	SELF-THREADING NUT
<b>SF</b>	SPACE FACTOR
<b>SW</b>	SWITCH
<b>SWBD</b>	SWITCHBOARD
<b>SZ</b>	SIZE
<b>TB</b>	TERMINAL BLOCK
<b>TERM</b>	TERMINAL
<b>THSS</b>	TRUSS HEAD STEEL SCREW
<b>TN</b>	TIN
<b>TPHSDSTS</b>	TORX PAN HEAD STEEL DOUBLE SELF-TAP .SCREW
<b>TY</b>	TYPE
<b>V</b>	VOLT
<b>VAC</b>	VOLTS A.C.
<b>VERT</b>	VERTICAL
<b>W</b>	WIDTH
<b>W/</b>	WITH
<b>W-O</b>	WITHOUT
<b>WASHER</b>	FLAT WASHER
<b>WGH</b>	WESTINGHOUSE
<b>WHM</b>	WATT-HOUR-METER
<b>WTH</b>	WIDTH
<b>WW</b>	WIREWAY
<b>XFMR</b>	TRANSFORMER

---

---

## PRODUCT SERVICE GROUP-PCP DIVISION

---

---

This dedicated and experienced group is responsible for product service and renewal parts within the Packaged Control Products Division. Here is how they can help.

---

---

### MODIFICATION AND REPAIRS

---

---

On site modifications or repairs of motor control centers is possible. Contact the Milwaukee 'PCP' Product Service group for help in determining if a repair and/or modification is possible, guidelines for accomplishing it and an estimate of the costs involved.

---

---

### SPARE OR REPLACEMENT PARTS

---

---

Send requests for repair or replacement parts to the Milwaukee 'PCP' Product Service group. They will determine if the material is available, help you order the parts correctly to avoid delays and supply you with the part numbers, list prices, discount schedules and lead times.

---

---

### FIELD SERVICE

---

---

Field service personal experienced with the assembly and operation of the bulletin 2100/2400 'centerline' motor control centers are available from the Packaged Control Products Division. Contact the Milwaukee 'PCP' Product Service group for additional information. (refer to pub. 1.3)

---

---

### WARRANTY REPAIR/REPLACEMENT

---

---

Material supplied in the Bul: 2100/2400 'CENTERLINE' Motor Control Centers that is under warranty and is suspect of being defective, can be returned to the Packaged Control Products Division for repair/replacement. Contact the Milwaukee 'PCP' product service group for additional information. (NOTE: If the supposed defective material is manufactured by another division of Allen-Bradley, the material can be returned directly to that division for warranty.

---

---

### REPAIR OF SHIPPING DAMAGE

---

---

Material damaged during shipment from A-B manufacturing plant(Shipper) to the Consignee can be repaired. Contact the shipping company immediately and report the damage. It is recommended that each shipment be inspected for damage before it is signed clear from the truck. Request an inspection from the shipping company and contact PCP product service group for instructions on the repair. If the order is shipped FOB origin/Factory (Standard) the responsibility for the claim would be the consignee. If the order is shipped FOB destination/jobsite the responsibility for the shipping claim will be the shipped (A-B). Have the following information available when calling PCP product service. If FOB Origin and needing repair at the factory or just parts: PCP order number, Valid PO for the repair, Passport ID for billing, ship-to address, and a description of the damage. If FOB destination and needing repair at the factory or just parts: PCP order number, Ship-to address, and a description of the damage. When all the information is available, A return authorization (RA) will be issued. This RA will contain all the information required to ship the MCC back to the factory for repair.



