

ControlNet PCI Communication Interface Card

Catalog Number 9904-PCIC

This document describes how to install the 9904-PCIC ControlNet™ communication interface card.

Topic:	Page:
Important User Information	2
European Communities (EC) Directive Compliance	3
European Communities (EC) Directive Compliance	3
Install the Card Inside the Computer	5
Connect the Card	7
Interpret the Status Indicators on the 9904-PCIC	12
Interpret the Status Indicators on the 9904-PCIC	12
CSA Hazardous Location Approval	15
Specifications	17

If you connect the card directly to a ControlNet network, you may also need to refer to ControlNet International specifications and the manufacturer's documentation for tap installation and cable planning and installation.

The 9904-PCIC communication interface card lets a PCI Local bus compatible computer communicate directly with other ControlNet products.

Important User Information

Because of the variety of uses for the products described in this publication, those responsible for the application and use of this control equipment must satisfy themselves that all necessary steps have been taken to assure that each application and use meets all performance and safety requirements, including and applicable laws, regulations codes and standards.

The illustrations, charts, sample programs and layout examples shown in this guide are intended solely for purposes of example. Since there are many variables and requirements associated with any particular installation we do not assume responsibility or liability (to include intellectual property liability) for actual use based upon the examples shown in this publication.

NEMA Standards Publication No. ICS 1.1-1987, *Safety Guidelines for the Application, Installation, and Maintenance of Solid State Control*, describes some important differences between solid-state equipment and electromechanical devices that should be taken into consideration when applying products such as those described in this publication.

Throughout this document we use notes to make you aware of safety considerations:



ATTENTION: Identifies information about practices or circumstances that can lead to personal injury or death, property damage or economic loss.

Attention statements help you to:

- identify a hazard
- avoid a hazard
- recognize the consequences

Important: Identifies information that is critical for successful application and understanding of the product.

European Communities (EC) Directive Compliance

If this product has the CE mark it is approved for installation within the European Union and EEA regions. It has been designed and tested to meet the following directives.

EMC Directive

This product is tested to meet the Council Directive 89/336/EC Electromagnetic Compatibility (EMC) by applying the following standards, in whole or in part, documented in a technical construction file:

- EN 50081-2 EMC — Generic Emission Standard, Part 2 — Industrial Environment
- EN 5001082-2 EMC — Generic Immunity Standard, Part 2 — Industrial Environment

This product is intended for use in an industrial environment.

Low Voltage Directive

This product is tested to meet Council Directive 73/23/EEC Low Voltage, by applying the safety requirements of EN 61131-2 Programmable Controllers, Part 2 - Equipment Requirements and Tests. This equipment is classified as open equipment and must be mounted in an enclosure during operation to provide safety protection.

Handling the Card



ATTENTION: The card uses CMOS technology, which is highly sensitive to electrostatic discharge (ESD). ESD may be present whenever you handle the card. When you handle the card without any ESD protection you can cause internal circuit damage that may not be apparent when you install or initially use the card.

Take these precautions to guard against ESD damage:

- Before you handle the card, touch a grounded object to discharge and built-up static charge.
- Avoid touching the backplane connector or interface connector pins located on the card.
- If the card is not in use, store it in the anti-static clamshell that the card was shipped in.

Important: Remember, a computer with ac power disconnected is *not* a grounded object.

Install the Card Inside the Computer

Before you install the card, be certain that you:

- know how to install hardware in your computer
- consult your computer's documentation for hardware installation instructions

To install the card, you need to:

- access to the computer's expansion slots
- possess either a Phillip-head or a flat-head screwdriver
- insert the card into the computer

Access the Computer's PCI Local Bus Expansion Slots

To install the card, you must access the computer's PCI local bus expansion slots. Follow these general steps, or refer to your computer's user guide for instructions on how to:

1. Turn off the power to the host computer with the power switch.
2. Remove the computer's cover.
3. Select a vacant PCI local bus expansion slot.
4. Remove the slot's expansion cover. Loosen the screw on the back (rear bracket) of the computer.

Insert the Card

To insert the card inside the computer:

1. Follow the card handling instructions on page 4.
2. Insert the card into the edge connector and tighten the expansion slot screw.
3. Turn on the computer to be certain that it comes up correctly.

If the computer:	then:
powers up	go to step 4
hangs up	<ul style="list-style-type: none">• you probably have a memory or I/O conflict• you should remove all other cards and try again If you continue to experience difficulty, contact a representative where you purchased this product.

4. Replace the computer's cover (when the computer boots up correctly).

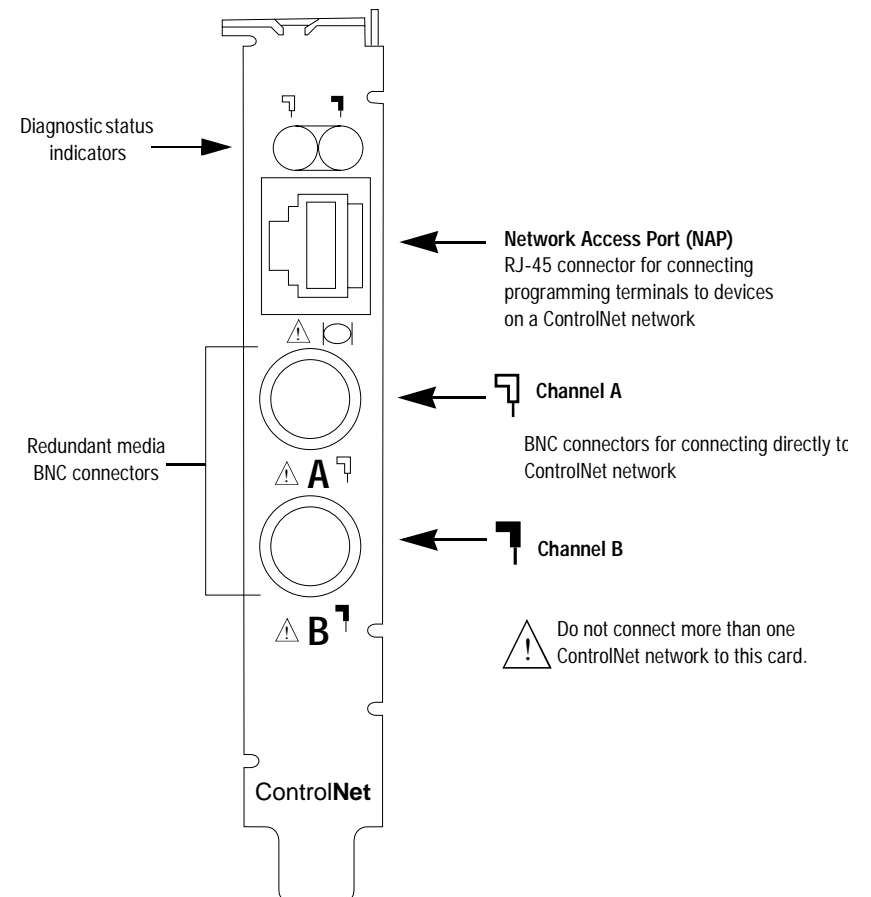
Connect the Card

After you have installed the card, you can connect it:

- to a device already connected to the ControlNet network (page 8)
- directly to a ControlNet network, which requires a tap (page 11)

Figure 1 describes the 9904-PCIC card connectors and indicators.

Figure 1 9904-PCIC card





ATTENTION: Do not connect more than one ControlNet network to this card. If you attempt to connect a second network to this card, your communication system will operate erratically.

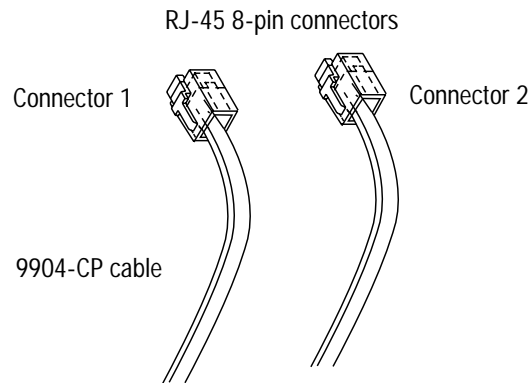
See page 12 for information about status indicators. Indicators diagnose only redundant media BNC connections.

Important: If you use a non-redundant cable system, all ControlNet devices must be on the same channel, channel A.

Connect to a Device on the ControlNet Network

The 9904-CP cable (Figure 2) connects a host computer to another ControlNet device. It has two RJ-45 8 pin connectors.

Figure 2 9904-CP cable



ATTENTION: Use only the **9904-CP** cable when you connect a programming terminal to the network through the network access port (NAP). If you use a different cable, it could result in possible network failures or product damage.

Table A shows the wiring for the cable.

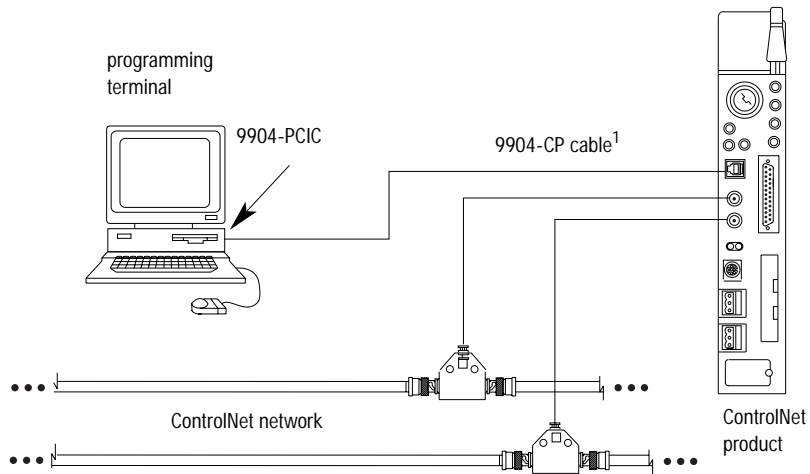
Table A Wiring for 9904-CP connector cable

Connector 1		
Wire Number	Signal Mnemonic	Signal Name
1	ISO-GND	Isolated Ground
2	N.C.	No Connection
3	PTTX-H	Transmit Data High
4	PTTX-L	Transmit Data Low
5	PTRX-L	Receive Data Low
6	PTRX-H	Receive Data High
7	N.C.	No Connection
8	ISO-GND	Isolated Ground

Connector 2		
Wire Number	Signal Mnemonic	Signal Name
1	ISO-GND	Isolated Ground
2	N.C.	No Connection
3	PTRX-H	Receive Data High
4	PTRX-L	Receive Data Low
5	PTTX-L	Transmit Data Low
6	PTTX-H	Transmit Data High
7	N.C.	No Connection
8	ISO-GND	Isolated Ground

When you use the RJ-45 connector you can connect the card to a ControlNet network, without a tap, through the Network Access Port (or NAP) of a programmable controller, I/O adapter, or other ControlNet compliant devices (Figure 3 and Figure 4).

Figure 3 Connect a computer to a ControlNet network through a programmable controller or an I/O adapter



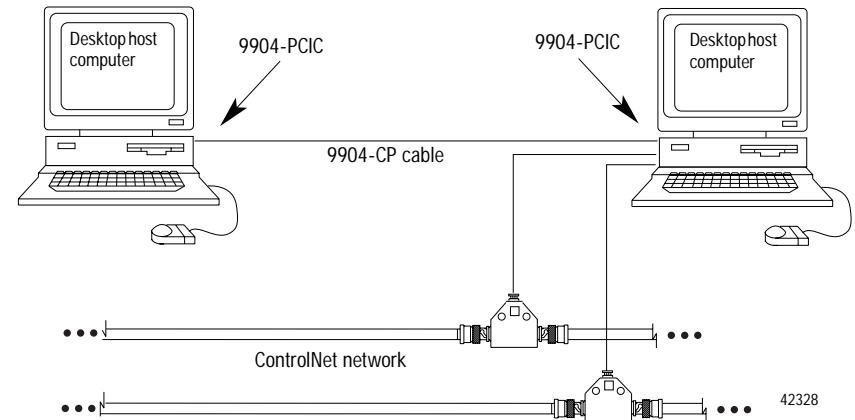
- 1 The 9904-CP cable can be plugged into any ControlNet product's NAP to provide ⁴²¹⁹⁹ programming capability on the ControlNet network. When you connect a programming terminal through this cable, it is counted as a node and must have a unique address.



ATTENTION: If you connect the product to a cable system that does not support redundant media, connect the tap dropline to the BNC connector labeled channel A. Channel B is left open.

If the cable system is redundant, connect the product so that all devices on the network use the same cable for the same channel. That is, all channel A connectors connect to one cable; all channel B connectors connect to the other.

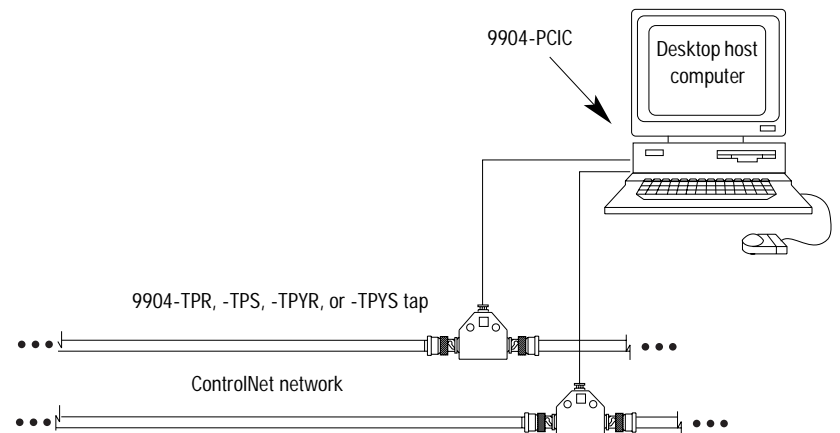
Figure 4 Connect a host computer to ControlNet through the 9904-PCIC card



Connect the Card Directly to the ControlNet Network

To connect the card directly to a ControlNet network as shown in Figure 5, refer to The ControlNet Specification and follow the manufacturer's documentation for tap installation and cable planning and installation. You can obtain the ControlNet Specification from ControlNet™ International, PMB 315 - 20423 State Road 7 #F6, Boca Raton, FL 33498-6797 USA or visit <http://www.controlnet.org>.

Figure 5 Connect the card directly to the ControlNet network



Interpret the Status Indicators on the 9904-PCIC

The status indicators on the card give you information about the card and the network when you're connected via the BNC connectors. Table B outlines the states and explains what each state means to you and the action you should take, if any, to correct that state.

ControlNet status interpretation



- **steady** - indicator is on continuously in the defined state.
- **alternating** - the two indicators alternate between the two defined states at the same time (applies to both indicators viewed together). The two indicators are always in opposite states, out of phase.
- **flashing** - the indicator alternates between the two defined states (applies to each indicator viewed independent of the other). If both indicators flash, they must flash together, in phase.

Important: When you connect the module to a ControlNet network using the network access port (NAP) only, the LEDs are meaningless.

Table B ControlNet status interpretation

A and B	Cause:	Action:
off	<ul style="list-style-type: none"> • no power • PCIC driver not started • faulted card 	<ul style="list-style-type: none"> • none or apply power to the PC • start PCIC driver • verify that the PCIC driver has been configured properly • check operating system event log for details of fault (if the PC's operating system supports an event log) • cycle power to the PC • verify that you have firmly inserted the PCIC card into a PCI local bus expansion slot and that the expansion slot screw is tightened. • If fault persists, contact a representative where you purchased this product.
steady red	<ul style="list-style-type: none"> • faulted card 	<ul style="list-style-type: none"> • cycle power to the PC • verify that you have firmly inserted the PCIC card into a PCI local bus expansion slot and that the expansion slot screw is tightened • If fault persists, contact a representative where you purchased this product.
alternating red/green	<ul style="list-style-type: none"> • self-test 	<ul style="list-style-type: none"> • none
alternating red/off	<ul style="list-style-type: none"> • incorrect node configuration • duplicate ControlNet node address 	<ul style="list-style-type: none"> • check PCIC node address and other ControlNet configuration parameters

Table B ControlNet status interpretation continued

 A or  B	Cause:	Action:
off	<ul style="list-style-type: none"> channel disabled 	<ul style="list-style-type: none"> program network for redundant media, if required
steady green	<ul style="list-style-type: none"> normal operation 	<ul style="list-style-type: none"> none
flashing green/off	<ul style="list-style-type: none"> temporary network errors 	<ul style="list-style-type: none"> check media for broken cables, loose connectors, missing terminators, etc. If condition persists, refer to ControlNet International specifications.
flashing red/off	<ul style="list-style-type: none"> media fault 	<ul style="list-style-type: none"> check media for broken cables, loose connectors, missing terminators, etc. If condition persists, refer to ControlNet International specifications.
	<ul style="list-style-type: none"> no other nodes present on network 	<ul style="list-style-type: none"> add other nodes to the network
flashing red/green	<ul style="list-style-type: none"> incorrect node address 	<ul style="list-style-type: none"> change PCIC node address so that it is less than or equal to UMAX¹ stop and restart the PCIC driver
	<ul style="list-style-type: none"> incorrect network configuration 	<ul style="list-style-type: none"> reconfigure the ControlNet network so that UMAX¹ is greater than or equal to the PCIC node address

¹ UMAX is the highest node address on a ControlNet network that can transmit data.

CSA Hazardous Location Approval

CSA certifies products for general use as well as for the use in hazardous locations. **Actual CSA certification is indicated by the product label** as shown below, and not by statements in any user documentation.

Example of the CSA certification product label



To comply with CSA certification for use in hazardous locations, the following information becomes a part of the product literature for this CSA-certified industrial control product.

- This equipment is suitable for use in Class 1, Division 2, Groups A, B, C, D, or non-hazardous locations only.
- The products having the appropriate CSA markings (that is, Class 1, Division 2, Groups A, B, C, D), are certified for use in other equipment where the suitability of combination (that is, application or use) is determined by the CSA or the local inspection office having jurisdiction.

Important: Due to the modular nature of a programmable control system, the product with the highest temperature rating determines the overall temperature code rating of a programmable control system in a Class 1, Division 2 location. The temperature code rating is marked on the product label as shown.

Temperature code rating



CL 1 DIV 2
GP A,B,C,D
TEMP



← Look for temperature code rating here

The following warnings apply to products having CSA certification for use in hazardous locations.



WARNING: Explosion hazard

- Substitution of components may impair suitability for Class 1, Division 2.
- Do not replace components unless power has been switched off or the area is known to be non-hazardous.
- Do not disconnect equipment unless power has been switched off or the area is known to be non-hazardous.
- Do not disconnect connectors unless power has been switched off or the area is known to be non-hazardous. Secure any user-supplied connectors that mate to external circuits on this equipment by using screws, sliding latches, threaded connectors, or other means such that any connection can withstand a 15 Newton (3.4lb.) separating force applied for a minimum of one minute.
- Batteries must be changed only in an area known to be non-hazardous.

CSA logo is a registered trademark of the Canadian Standards Association.

Approbation d'utilisation dans des emplacements dangereux par la CSA

La CSA certifie les produits d'utilisation générale aussi bien que ceux qui s'utilisent dans des emplacements dangereux. La certification CSA en vigueur est indiquée par l'étiquette du produit et non par des affirmations dans la documentation à l'usage des utilisateurs.

Exemple d'étiquette de certification d'un produit par la CSA.



CL 1 DIV 2
GP A, B, C, D
TEMP



Pour satisfaire à la certification de la CSA dans des endroits dangereux, les informations suivantes font partie intégrante de la documentation ce produit industriel de contrôle certifié par la CSA.

- Cet équipement convient à l'utilisation dans des emplacements de Classe 1, Division 2, Groupes A, B, C, D, ou ne convient qu'à utilisation dans des endroits non dangereux.
- Les produits portant le marquage approprié de la CSA (c'est à dire, Classe 1, Division 2, Groupes A, B, C, D) sont certifiés à l'utilisation pour d'autres équipements où la convenance de combinaison (application ou utilisation) est déterminée par la CSA ou le bureau local d'inspection qualifié.

Important: Par suite de la nature modulaire du système de contrôle programmable, le produit ayant le taux le plus élevé de température détermine le taux d'ensemble du code de température du système de contrôle d'un programmable dans un emplacement de Classe 1, Division 2. Le taux du code de température est indiqué sur l'étiquette du produit.

Taux du code de température



CL 1 DIV 2
GP A, B, C, D
TEMP



← Le taux du code température est indiqué ici

Les avertissements suivants s'appliquent aux produits ayant la certification CSA pour leur utilisation dans des emplacements dangereux.



AVERTISSEMENT: Risque d'explosion

- La substitution de composants peut rendre ce matériel inacceptable pour les emplacements de Classe 1, Division 2.
- Couper le courant ou s'assurer que l'emplacement est désigné non dangereux avant de remplacer les composants.
- Avant de débrancher l'équipement, couper le courant ou s'assurer que l'emplacement est désigné non dangereux.
- Avant de débrancher les connecteurs, couper le courant ou s'assurer que l'emplacement est reconnu non dangereux. Attacher tous les connecteurs fournis par l'utilisateur et reliés aux circuits externes de l'appareil à l'aide de vis, loquets coulissants, connecteurs filetés ou autres moyens permettant aux connexions de résister à une force de séparation de 15 Newtons (3,4 lb. - 1,5 kg) appliquée pendant au moins une minute.
- Afin d'éviter tout risque d'explosion, s'assurer que l'emplacement est désigné non dangereux avant de changer la batterie.

Le sigle CSA est la marque déposée de l'Association des Standards pour le Canada.

Specifications

The operating parameters describe the environment within the PCIC's slot. Refer to the documentation for your computer for environmental requirements. The card should not exceed those specifications.

General Specifications

Characteristic	Value
Power Requirements	5 V dc, 700 mA Maximum, Class 2
Conductor	Category 2 Use this conductor category information when you plan conductor routing as described in the ControlNet International specification.

Environmental Specifications

	Operating	Nonoperating
Slot Temperature	0 to 50° C (32 to 122° F)	-40 to 85° C (-40 to 185° F)
Humidity	5 to 95% without condensation	5 to 95% without condensation
Vibration	10 th 150 Hz, constant.012 in displacement 10 to 150 Hz, constant 2.0G acceleration	not applicable
Shock	30G peak/11 ms	50G peak/11 ms

Agency Certification

(when product or packaging is marked)



UL Recognized Industrial Control Component



Certified Component Process Control Equipment



Certified Component Class I, Division 2, Groups A, B, C, D



Marked for all applicable directives



Marked for all applicable acts

N223



ControlNet is a trademark of ControlNet International.