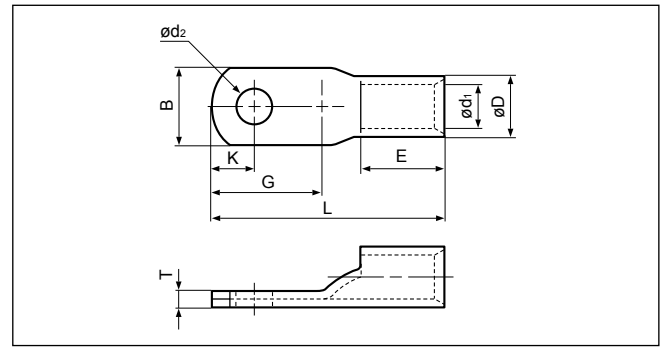
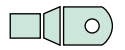
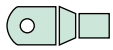


Solderless terminals

COPPER TUBULAR LUGS (One-hole)



Applicable Wire AWG#(mm ²)	Stud size		Part No.	Standard	Dimensions mm (in.)									Tool No.										Qty/box						
	American	Metric			ød ₂	B	L	E	G	K	øD	ød ₁	T	YHT-2210	YHT-8S	YA-1	YA-2	YA-4	YA-5	YPT-60N	YPT-150-1	BCT-0614L	BCT-860L		BCT-8150L	YET-60-1	E-4,YF-1	YET-150-1	E-4	YF-1
250/300 (117.2 to 152.05)	3/8	10	TU150-10		11.0 (.433)	38.0 (1.496)	88.0(3.465)	34.5 (1.358)	36.3(1.429)	16.5 (.650)	26.5 (1.043)	19.5 (.768)	7.0 (.276)																	
	7/16	11	TU150-11		12.0 (.472)																									
	1/2	12	TU150-12		14.0 (.551)																									
	5/8	16	TU150M-16		18.0 (.709)									95.5(3.760)	43.8(1.724)	20.0 (.787)														
	5/8	16	TU150L-16		18.0 (.709)									98.0(3.858)	46.3(1.823)															
	3/4	20	TU150M-20		22.0 (.866)									95.5(3.760)	43.8(1.724)															
	3/4	20	TU150L-20		22.0 (.866)									98.0(3.858)	46.3(1.823)															
350 (152.05 to 192.60)	3/8	10	TU180-10		11.0 (.433)	41.0 (1.614)	92.0(3.622)	36.5 (1.437)	38.3(1.508)	16.5 (.650)	28.5 (1.122)	21.0 (.827)	7.7 (.303)																	
	7/16	11	TU180-11		12.0 (.472)																									
	1/2	12	TU180-12		14.0 (.551)																									
	5/8	16	TU180M-16		18.0 (.709)									104.0(4.095)	50.0(1.969)															
	5/8	16	TU180L-16		18.0 (.709)									106.0(4.173)	52.0(2.047)															
	3/4	20	TU180L-20		22.0 (.866)									106.0(4.173)	52.0(2.047)															
400 (192.60 to 242.27)	3/8	10	TU200-10		11.0 (.433)	46.0 (1.811)	101.0(3.976)	37.0 (1.457)	46.3(1.823)	21.0 (.827)	32.5 (1.280)	24.0 (.945)	8.5 (.335)																	
	7/16	11	TU200-11		12.0 (.472)																									
	1/2	12	TU200-12		14.0 (.551)																									
	5/8	16	TU200M-16		18.0 (.709)									109.0(4.291)	54.0(2.126)															
	5/8	16	TU200L-16		18.0 (.709)									113.0(4.449)	58.0(2.284)															
	3/4	20	TU200M-20		22.0 (.866)									109.0(4.291)	54.0(2.126)															
	3/4	20	TU200L-20		22.0 (.866)									113.0(4.449)	58.0(2.284)															
7/8	22	TU200L-22		24.0 (.945)	113.0(4.449)	58.0(2.284)																								
600/650 (242.27 to 325)	3/8	10	TU325-10		11.0 (.433)	53.0 (2.087)	112.5(4.429)	42.0 (1.654)	51.8(2.039)	23.0 (.906)	37.0 (1.457)	28.0 (1.102)	9.0 (.354)																	
	7/16	11	TU325-11		12.0 (.472)																									
	1/2	12	TU325-12		14.0 (.551)																									
	5/8	16	TU325M-16		18.0 (.709)									121.0(4.764)	60.0(2.362)															
	5/8	16	TU325L-16		18.0 (.709)									127.0(5.000)	66.0(2.598)															
	3/4	20	TU325M-20		22.0 (.866)									121.0(4.764)	60.0(2.362)															
	3/4	20	TU325L-20		22.0 (.866)									127.0(5.000)	66.0(2.598)															

Note:1) Delivery lead times may vary depending on the product. Contact JST for details.

