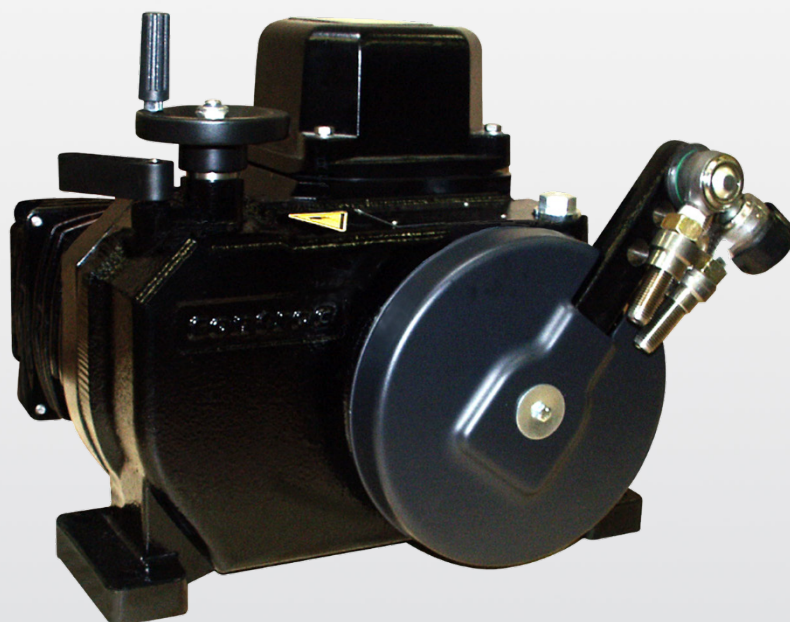


---

ABB MEASUREMENT & ANALYTICS | DATA SHEET

# **PME120-AI / PME120-AN (Contract)**

Electrical rotary actuator



---

For continuous control mode, nominal torque 100 Nm (80 lbf-ft), with integrated electronic unit or for separate electronic unit.

---

**Process optimization thanks to maximum control precision**

---

**Maintenance-free up to 10 years**

---

**Electrical actuator for continuous positioning, three-point position control, or bus control**

---

**Stall-proof without the need for position- or torque-dependent shut-off**

---

**Adjustable mechanical limit stops for defined operating range**

---

**Handwheel for emergency operation**

---

**Control only via separate, processor-controlled electronic unit (integrated in PME120-AI)**

---

**Power supply 115 V AC oder 230 V AC via electronic unit only**

## Brief description

Compact actuator for the operation of final control elements with rotary movement such as valve flaps, ball valves, etc. The torque is transferred via a lever-type actuator or the actuator is directly coupled to the shaft of the final control element. The actuator is controlled using a Contrac electronic unit. This electronic unit serves as the interface between the actuator and the control system.

During continuous positioning, the electronic unit varies the motor torque steplessly until the actuator force and the control valve force are balanced. High response sensitivity and high positioning accuracy with short positioning time ensure an excellent control quality and a long actuator life.

## Operating principles

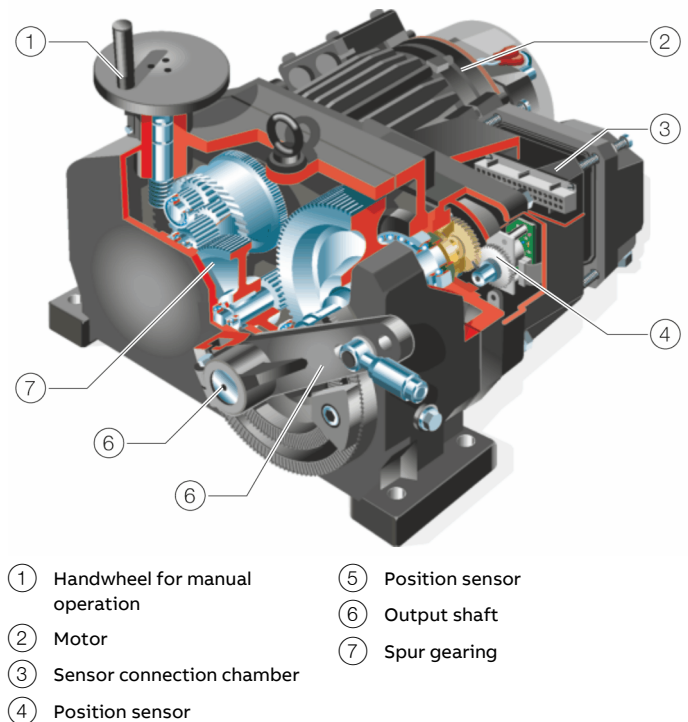
The actuator continuously responds to a set point signal. The motor is permanently under voltage (operating mode S9 - 100 % stall-proof according to IEC 60034-1 / EN 60034-1) and gently increases or reduces the torque on the electronic unit in proportion to the  $\Delta Y$  signal (the difference between the Y set point and the Y position signal).

The actuator is not subject to temperature derating, i.e., there are no restrictions, even at the maximum permissible ambient temperature. Where a state of balance exists, the actuator force and process force are equivalent and the actuator keeps the final control element in the required position.

The classification of the 'S9 - 100 % overload protected' Contrac actuator in accordance with IEC 60034-1 / EN 60034-1 by far exceeds the requirements for the highest class, 'continuous modulation, class D' in accordance with EN 15714-2.

The Contrac actuator offers extensive process optimization capabilities thanks to its high-precision and highly dynamic operation.

## Rotary actuators



- |                                  |                   |
|----------------------------------|-------------------|
| ① Handwheel for manual operation | ⑤ Position sensor |
| ② Motor                          | ⑥ Output shaft    |
| ③ Sensor connection chamber      | ⑦ Spur gearing    |
| ④ Position sensor                |                   |

Figure 1: Cross-section of a rotary actuator (example)

Rotary actuators are available for rated torques from 50 to 16000 Nm (40 to 12000 lbf-ft), and they share a common design. A motor drives a low-friction, oil-lubricated spur gearing. At the end of this gearing, a lever mounted on the output drive shaft transmits torque to the final control element via a connecting rod. Since the position sensor is mounted directly on the rear end of the output drive shaft, position feedback is provided without any backlash. This specific design in conjunction with the 3-phase asynchronous motor serves as the basis for the continuous mode of the actuator.

Mechanical limit stops, provided on the outside of the gear case, can be adjusted as needed and used to limit the travel path for swing-through valve flaps, for instance.

## ... Brief description

### ... Rotary actuators

The handwheel offers an optimum level of performance between handwheel forces and rotational speed, owing to the design principle of the differential gearing. Furthermore, the gear train is not interrupted, even though it is possible to adjust the handwheel at any time. This ensures maximum operational reliability. The 3-phase asynchronous motor is equipped with a spring-loaded brake. The brake is energized in automatic mode. In the case of a fault or failure of the supply voltage, the brake will engage via the spring force and lock the control valve in the current position. This ensures reliable "Fail-Freeze" action. The brake is maintenance-free, regardless of whether the actuator is controlled via analog, bus, or step controller signals.

### Analog signal and power input

For analog control, the set point entry is received from the control system through a 0 to 20 mA or 4 to 20 mA current value. Signal monitoring is possible. Should the signal leave the pre-defined limits, the actuator will perform the set safety procedure (e. g. 'Lock in last position' or 'Drive to safety position').

The position feedback is also given through a 0 to 20 mA or 4 to 20 mA feedback signal. There are 3 digital inputs and 3 digital outputs available in addition to the analog signal. If a digital input is activated, it will take priority over the set point signal (manual mode takes priority over automatic mode).

The following digital input configurations are possible:

Configuration	Digital input 1	Digital input 2	Digital input 3
OFF	No function	No function	No function
Manual intervention	Manual mode / Automatic mode switching	Travel command in OPEN direction	Travel command in CLOSE direction
Rapid traverse	Rapid traverse mode / Automatic mode switching	Rapid traverse travel command in OPEN direction	Rapid traverse travel command in CLOSE direction
Step controller	ON / OFF step controller activation	Step controller pulses in OPEN direction	Step controller pulses in CLOSE direction

The digital output function is freely selectable for each output. The following functions are available:

Function	Description
Ready to operate	Signaling of device status.
Signal end position 0 %	Actuator has reached the 0 % position.
Signal end position 100 %	Actuator has reached the 100 % position.
Signal limit value 1 rising	While the signal level is rising, the actuator has reached the position defined as limit value 1.
Signal limit value 1 falling	While the signal level is falling, the actuator has reached the position defined as limit value 1.
Signal limit value 2 rising	While the signal level is rising, the actuator has reached the position defined as limit value 2.
Signal limit value 2 falling	While the signal level is falling, the actuator has reached the position defined as limit value 2.
Collective failure	Drive function is no longer given. The actuator is no longer available.
Collective alarm	Parameters in the Contrac interface system have adopted values, which make a failure in the near future likely. The actuator remains functional.
Local operation	The actuator is operated via the local control station (ISF)
Rapid traverse + direction	Actuator is moving at rapid traverse speed in + direction (only for 2-motor version).
Rapid traverse control -direction	Actuator is moving at rapid traverse speed in - direction (only for 2-motor version).

### Step controller operation

In the 'step controller' operating mode the incoming control commands are received as pulses at digital inputs 2 and 3 these are upward-integrated into an internal memory. The memory uses these pulses to generate an 'artificial' internal set point which the actuator then follows. This process is as easy on the control valve and actuator operation as the analog control process.

## Rapid traverse mode

The actuator is operated exactly in the same operating mode as in the analog control mode. On activation of digital inputs 2 or 3, the actuator moves at twice the rated operating speed and half the torque in the corresponding direction. Just before the end position is reached, the actuator travel speed is automatically switched back to the set speed, at which the remaining distance is covered.

## Speed

Contrac actuators offer different speed adjustments for both directions, independently of actuator torque or actuator force. Furthermore, a speed characteristics curve can be set with three different speed values for each direction. The actuator speed is steplessly adapted to the rate of change in speed of the set point value. This ensures a highly dynamic and extremely precise control process. In order to preserve the control valve, the actuator speed is automatically reduced before the end position is reached.

## Torque/Force

The torque and actuator force setting options are comparable to the speed setting options. 50 %, 75 % and 100 % of the rated output value can be selected. The electronic unit alters the motor actuation according to the selected value.

## Set point monitoring

The set point can be monitored for compliance with the adjustable limit values. Should the set point exceed the upper limit value or fall below the lower limit value, the actuator will perform the previously defined safety action. 'Lock in current Position' or 'Move to pre-defined safety position' are available as safety actions.

## Ambient conditions

### Temperature

Different temperature versions are available, dependent on the actuator type.

The power-up period is not subject to derating, i.e. even at the maximum permissible ambient temperature, the actuator ensures maximum control precision and dynamics during a power-up period of 100 %.

### Corrosion protection

Contrac actuators and electronic units have been designed for operation in extreme ambient conditions. They satisfy the requirements of atmospheric corrosivity category C5-I (highly polluted industrial atmospheres) for protection against external corrosion in accordance with DIN EN 15714 (Electric actuators for industrial valves – Basic requirements), and EN ISO 12944-2:1998 (Paints and varnishes. Corrosion protection of steel structures by protective paint systems. Classification of environments).

Electronic cabinet modules satisfy the requirements of category C1 (low pollution) as per EN ISO 12944-2:1998 (Paints and varnishes. Corrosion protection of steel structures by protective paint systems. Classification of environments).

### Maintenance interval

Contrac actuators and electronic units exceed the service life requirements for the highest class D, 'continuous modulation', as per DIN EN 15714 (Electric actuators for industrial valves – Basic requirements). The actuators remain maintenance-free for up to 10 years under 'normal' load.

### Expected service life of the device

With proper use and consideration of relevant environmental conditions, the service life of the Contrac actuators and electronic units can reach approx. 10 years.

Regular maintenance work and / or proper repairs by ABB Service, along with the use of ABB spare parts, can extend the service life of the Contrac actuators and electronic units.



---

## Communication

The PROFIBUS DP®, PROFIBUS DP®/V1 or HART® communication protocols are available for digital communication.

### PROFIBUS®

PROFIBUS DP® is an international, open field bus protocol which has been standardized in the field bus standard EN 50170. On a cyclic basis, the master reads the input information from the slaves and writes the output information to the slaves. In addition to this cyclic data transfer of the process representation (e. g. setpoint and actual value), Profibus DP also provides powerful functions for diagnostics and commissioning. PROFIBUS DP/V1 additionally offers the acyclic transfer of data for the configuration of slaves, for example. Data traffic is monitored through the monitoring functions on the master and slave sides. In addition to PROFIBUS® data transfer, ABB Contrac actuators provide two configurable binary outputs to for example signal that the end position has been reached. The two configurable digital outputs can be used independently of the bus communication.

### HART®

Contrac actuators also offer the option of using the HART® communication protocol for configuration and parameterization while operation is in progress. HART®-FSK communication enables simultaneous analog set point transmission and digital communication without additional installation. The HART signal is modulated on to the 4 to 20 mA analog set point signal. The HART® protocol works with Frequency Shift Keying (FSK) technology, based on the Bell 202 communication standard.

### FDI – Field Device Integration

The Device Type Driver for Contrac actuators is based on FDI technology and can either be integrated in a control system or loaded onto a PC with the ABB Ability™ Field Information Manager (FIM).

This allows you to work with the same user interface in the commissioning phase, during operation, and for service tasks involving monitoring the device, parameterization, and reading out data.

### DTM

The DTM (Device Type Manager) for Contrac actuators is based on FDT / DTM technology (FDT 1.2 / 1.2.1) and can either be integrated into a control system or loaded on a PC with an FDT framework application. This allows you to work with the same user interface in the commissioning phase, during operation, and for servicing tasks, involving monitoring the device, setting parameters, and reading out data. Communication is based on HART® protocol or PROFIBUS® communication. Reading out data from the device has no effect on the operation in progress. Newly set parameters are saved in the non-volatile memory directly upon download to the device, and become active immediately.

### EDD

Similar to DTM, the EDD (Electronic Device Description) provides the option of configuration and parameterization of the device through HART® communication by using a handheld terminal or an EDD integrated in the system.

## Specification

### Control actuator

	PME120-AI	PME120-AN
Operating mode	S9 – 100%; stall-proof acc. to IEC 60034-1/EN 60034-1	
IP rating	IP 66 acc. to IEC 60529/EN 60529 NEMA 4X acc. to CAN/CSA22.2 No. 94	
Humidity	≤ 95 % annual average; condensation not permitted	
Ambient temperature	-10 to 55 °C (15 to 130 °F) -25 to 55 °C (-15 to 130 °F)	-10 to 65 °C (15 to 150 °F) -25 to 55 °C (-15 to 130 °F) -1 to 85 °C (30 to 185 °F)
Transport and storage temperature	-25 to 70 °C (-15 to 160 °F)	-40 to 70 °C (-40 to 160 °F)
Long-term storage temperature	-25 to 40 °C (15 to 105 °F)	-30 to 40 °C (-25 to 105 °F)
Mounting position	any position; preferably IMB 3 acc. to IEC 60034-7 / EN 60034-7	
Coating	2-layer component epoxy (RAL 9005, black)	
Anti-condensation heater	-	Optional (separate power supply or power feed from Contrac electronic unit)
Power supply for motor and sensors	Via Contrac electronic unit only	
Connection cable actuator – electronic unit	-	optional 5 m (16 ft), 10 m (32 ft) or 20 m (65 ft) max. 30 m (98 ft) for electronic unit EAN823 max. 480 m (1575 ft) for electronic unit EAS822 (Follow the 'electronic unit' data sheet!)

	PME120-AI	PME120-AN
Nominal torque	100 Nm (80 lbf-ft), adjustable to 0.5, 0.75 or 1 × nominal torque	
Starting torque	1.2 × nominal torque (break-away torque in end positions for short time 2 × nominal torque)	
Rated time for 90°; adjustable	20 to 900 s	
Rated operating speed, adjustable	4.5 to 0.1 °/s	
Rated time for 90°; adjustable (Temperature design -1 to 85 °C)	45 to 900 s	
Rated operating speed, adjustable (Temperature design -1 to 85 °C)	2.0 to 0.1 °/s	
Operating angle	Typically 90° (min. 35°; max. 270°), with lever and limit stops the mechanical limits in accordance with operating instruction should be complied with.	
Weight	Approx. 36 kg (79 lb)	Approx. 32 kg (70 lb)
Associated electronic unit	Integrated electronic unit	For field installation: EAN823 For rack installation: EAS822
Motor	EM24 24 V 3~ asynchronous motor, insulation material class F DIN EN 60085	
Sensors	Position transmitter and temperature sensor always available	

## ... Specification

### Electronic unit

#### Note

Detailed information on separate electronic units can be found in the corresponding data sheets.

#### Power supply

##### PME120-AI / LME620-AI

Supply voltage	115 V AC (94 to 130 V) or 230 V AC (190 to 260 V); 47.5 to 63 Hz; single-phase			
Current consumption at the electronic unit [A] (AC 115 V / AC 230 V)	LME620-AI, PME120	$I_{\max}$ at 115 V: 1.0 A	$I_{\max}$ at 230 V: 0.5 A	$I_{\text{pos}}$ (115 V + 230 V): approx. 40 to 50 % of $I_{\max}$
Actuators for low temperature design	LME620-AI, PME120	$I_{\max}$ at 115 V: 1.4 A	$I_{\max}$ at 230 V: 0.7 A	
External fuse	16 A; time-lag			

#### Communication

##### Conventional communication

Analog input	0 / 4 to 20 mA; internal load: 300 $\Omega$
Analog output	0 / 4 to 20 mA, electrically isolated, max. load 500 $\Omega$
3 digital inputs, 1 to 3	Digital 0: -3 to 5 V or open, electrically isolated Digital 1: 12 to 35 V, electrically isolated
3 digital outputs, 1 to 3	Potential-free relay contact, max. 60 V, 150 mA
Digital communication	RS232 for commissioning and service, with optional FSK / HART® or PROFIBUS DP®
Default settings	<b>Conventional communication</b> on page 10
Voltage output $U_V$	24 V, 15 mA, electrically isolated, for scanning external contacts, or similar applications
Connection for transmitter (optional)	Supply for two-wire transmitter with activated process controller in Contrac
Individual settings	See data sheet 'DS/CONTRAC/SETTING' or available upon request.



<b>PROFIBUS DP® Communication</b>	
PNO ID no.	0×9655 Actuators with DP/V0 communication (cyclic data traffic) 0×09EC Actuators with DP/V1 communication (cyclic and acyclic data traffic)
Communication protocol	PROFIBUS PA® Profile V3.0 Class B in accordance with IEC 50170 / EN 50170 (DIN 19245)
Bus cable	Twisted, shielded copper wire acc. to IEC 50170 / EN 50170
Interface	EIA-485 (RS485) acc. to IEC 50170 / EN 50170
Permissible baud rates	93.75 Kbit/s 187.5 Kbit/s 500 Kbit/s 1500 Kbit/s Automatic baud rate detection
Bus address	0 to 126, default address 126 Set Slave Address service is supported
Bus termination	Connectable active bus termination. Power supply from electronic unit
Block types	1 analog input function block 1 transducer block 1 physical block
Failsafe	Failsafe function is supported. Configurable function for downtime of bus communication <ul style="list-style-type: none"> <li>• Lock in last position</li> <li>• Drive to safety position</li> <li>• Adjust with last effective set point</li> </ul> Adjustable time delay
Modules for cyclic communication	8 standards-compliant modules and 3 manufacturer-specific modules are available.* SP (Short) SP (Long) RCAS_IN+RCAS_OUT SP+READBACK+POS_D SP+CHECKBACK SP+READBACK+POS_D+CHECKBACK RCAS_IN+RCAS_OUT+CHECKBACK SP+RCAS_IN+READBACK+RCAS_OUT+POS_D+CHECKBACK STANDARD SP+RB+MESSEING SP+RB+ENL_DIAG
Acyclic communication	Full parameterization and configurability via Master Class 2 and DTM
Default settings	see Table <b>PROFIBUS DP® communication</b> on page 10.
Digital outputs 1 and 2	In addition to the PROFIBUS®-communication, there are 2 digital outputs. Potential-free relay contact, max. 60 V, 150 mA Default setting: Digital output 1 End position signal 0 % Digital output 2 End position signal 100 %
Individual settings	See data sheet 'DS/CONTRAC/SETTING' or available upon request.

\* A full description of communication modules can be found in parameterization and configuration instructions 45/68-10

## ... Specification

### ... Electronic unit

#### Delivery state

The standard delivery scope includes metric cable entry threads with IP66 seal plugs. Optional NPT and PG adapters are available. The individual actuator configuration may vary from the standard setup above. This information can be displayed via the user interface. Unless otherwise specified by the user, the electronic units are delivered with the following standard configuration:

#### Conventional communication

Parameter	Setting
Function selection	Positioner, parameter: set point
Set point function	Analog set point
Set point range	4 to 20 mA
Set point characteristic	Linear; set point = position value
Actual value range	4 to 20 mA
Nominal torque / rated force in $\pm$ direction	100 %
Automatic speed in $\pm$ direction:	100 %
Action in 0 % / 100 % end position	Keep leak-tight with nominal torque / rated force
Digital inputs	Digital input 1 Manual / Automatic switching, Digital input 2 / 3 Travel command $\pm$
Digital outputs	Digital output 1 ready for operation / error message, Digital output 2 / 3 end position signaling 0 % / 100 %
Brake Away Function	Deactivated
Shut-off function	Deactivated
Positioning loop monitoring	Deactivated
Set point monitoring	Deactivated
Alarm Type	Deactivated
Action after restoration of power	Switch to Automatic
Working range of actuator	Not set

#### PROFIBUS DP® communication

Parameter	Setting
Function selection	Positioner, parameter: set point
Set point function	Digital
Set point range	4 to 20 mA
Set point characteristic	Linear; set point = position value
Actual value range	Digital
Nominal torque / rated force in $\pm$ direction	100 %
Automatic speed in $\pm$ direction:	100 %
Action in 0 % / 100 % end position	Keep leak-tight with nominal torque / rated force
Digital outputs	Digital output 1 / 2 end position signal 0 % / 100 %
Brake Away Function	Deactivated
Shut-off function	Deactivated
Positioning loop monitoring	Deactivated
Communication monitoring	PROFIBUS DP® / V0: Activated Lock in last position PROFIBUS DP® / V1: Activated After delay time has elapsed (standard configuration 5 s) Lock in last position
Alarm Type	Deactivated
Action after restoration of power	Switch to Automatic
Working range of actuator	Not set

## Electrical connections

### Wire cross-sectional areas

#### Control actuator

##### Actuators with separate electronic unit

###### Crimp pins

Motor / brake / heater	max. 1.5 mm <sup>2</sup> (16 AWG)	
Signals	max. 0.5 mm <sup>2</sup> (20 AWG)	
Contact surface	Motor / brake / signals:	Gold-plated
	Heater:	Silver-plated

##### Actuators with separate electronic unit

###### Screw terminals (optional)

Motor / brake / heater / signals	0.2 to 2.5 mm <sup>2</sup> (24 to 14 AWG)	
Contact surface	Motor / brake / signals:	Gold-plated
	Heater:	Silver-plated

##### Actuators with integrated electronic unit

###### Crimp pins

Mains	max. 1.5 mm <sup>2</sup> (16 AWG)	
Signals	max. 0.5 mm <sup>2</sup> (20 AWG)	
Contact surface	Gold-plated	

##### Actuators with integrated electronic unit

###### Screw terminals (optional)

Power supply, signals	0.2 to 2.5 mm <sup>2</sup> (24 to 14 AWG)	
Contact surface	Gold-plated	

#### Electronic unit

##### EAN823 – Screw terminals

Motor/brake	fixed: 1.5 to 6 mm <sup>2</sup> (16 to 10 AWG)	
	flexible: 1.5 to 4 mm <sup>2</sup> (16 to 12 AWG)	
Mains	fixed: 0.5 to 6 mm <sup>2</sup> (20 to 10 AWG)	
	flexible: 0.5 to 4 mm <sup>2</sup> (20 to 12 AWG)	
Signals	fixed: 0.5 to 6 mm <sup>2</sup> (20 to 10 AWG)	
	flexible: 0.5 to 4 mm <sup>2</sup> (20 to 12 AWG)	

##### EAS822 – Clamping connection

	Suited for cable Ø Terminals for conductor cross-section	
Mains cable	13 mm (0.51 in)	max. 4 mm <sup>2</sup> (12 AWG)
Signal cable (DCS)	8 mm (0.31 in)	max. 1.5 mm <sup>2</sup> (16 AWG)
Transmitter (option)	8 mm (0.31 in)	max. 1.5 mm <sup>2</sup> (16 AWG)
Motor cable	13 mm (0.51 in)	max. 4 mm <sup>2</sup> (12 AWG)
Sensor cable	8 mm (0.31 in)	max. 1.5 mm <sup>2</sup> (16 AWG)

### Cable glands

The actuators and electronic units are supplied without cable glands. Suited cable glands must be installed on site.

#### Tap holes for cable glands

	metric			optional adapters for*		
Signals	M20 × 1.5 (2 ×)	PG 16 (2 ×)	NPT ½ in (2 ×)			
Motor	M25 × 1.5 (1 ×)	PG 21 (1 ×)	NPT ¾ in (1 ×)			

\* Adapter for PG or NPT thread must be ordered separately

### Selection of suited connection cables

Please observe the following information when selecting cables:

- Use shielded cables for the motor/brake cable, the sensor cable, and the signal cable to the control system/controller.
- Connect the shielding of the motor/brake cable and the sensor cable on both sides (to the actuator and to the Contrac electronic unit).

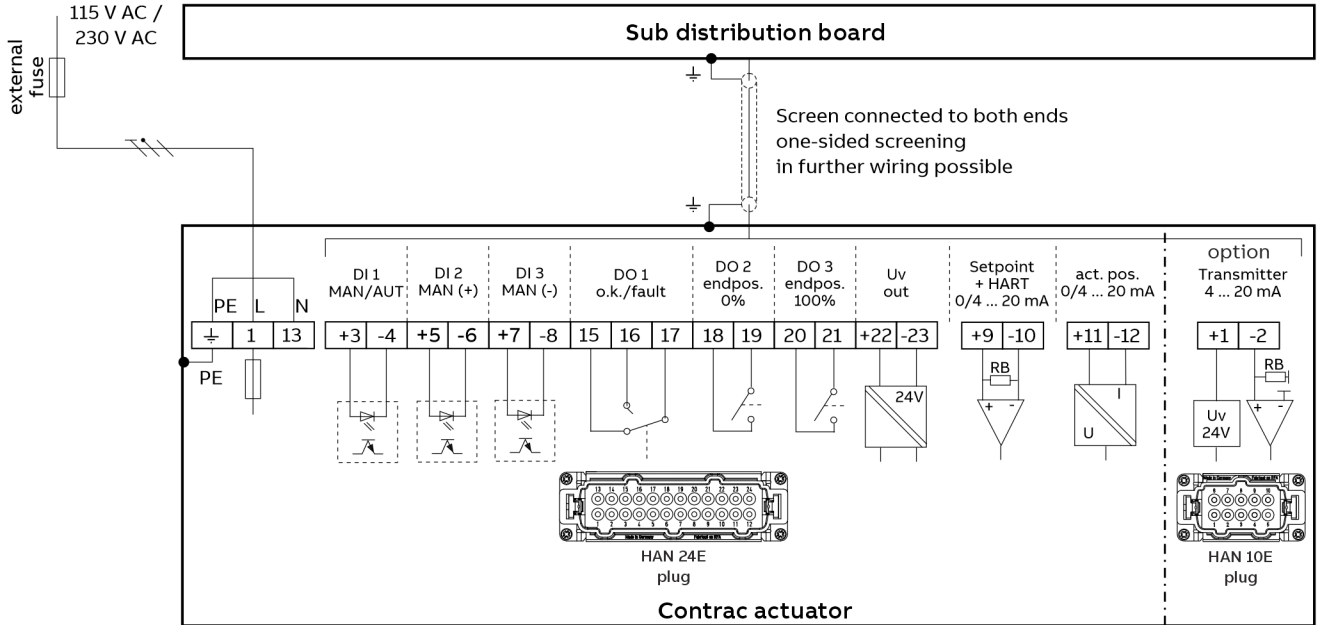
## ... Electrical connections

### Integrated PME120-AI Electronic unit

Analog / Digital

**Note**

The electrical connection is established via a universal plug on the actuator.



BE = digital input

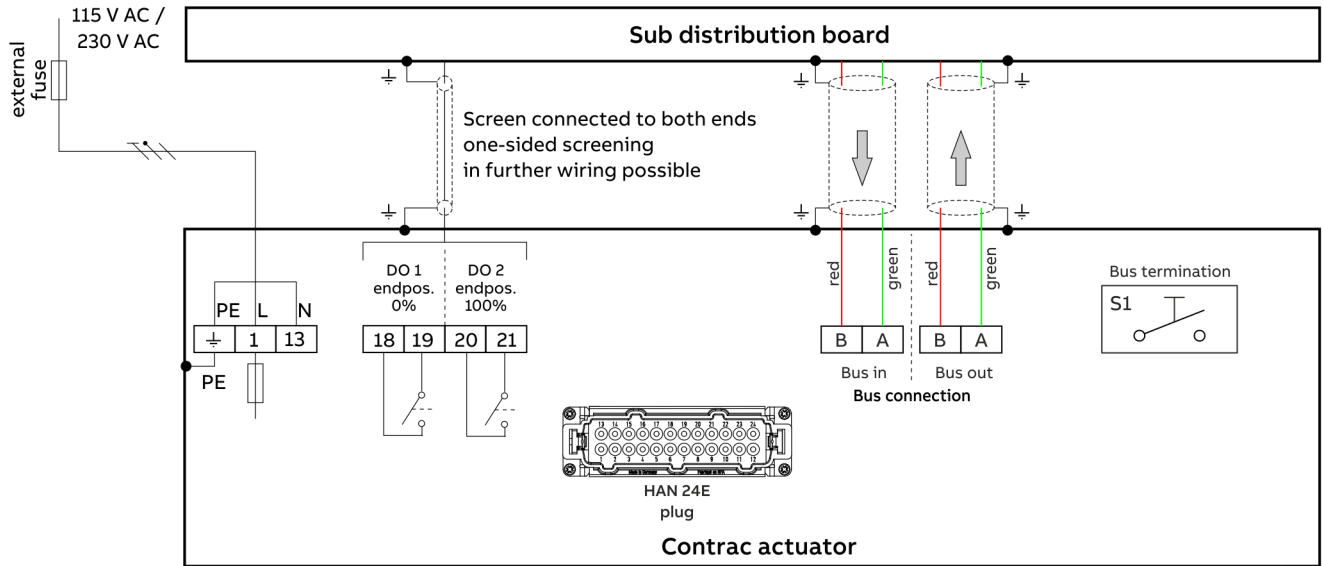
BA = digital output

Figure 2: Control via analog input 0/4 to 20 mA, HART® communication or binary inputs

**PROFIBUS DP®**

**Note**

The electrical connection is established via a universal plug on the actuator.



DO = digital output

Figure 3: Control via fieldbus PROFIBUS DP® (PME120-AI, LME620-AI)

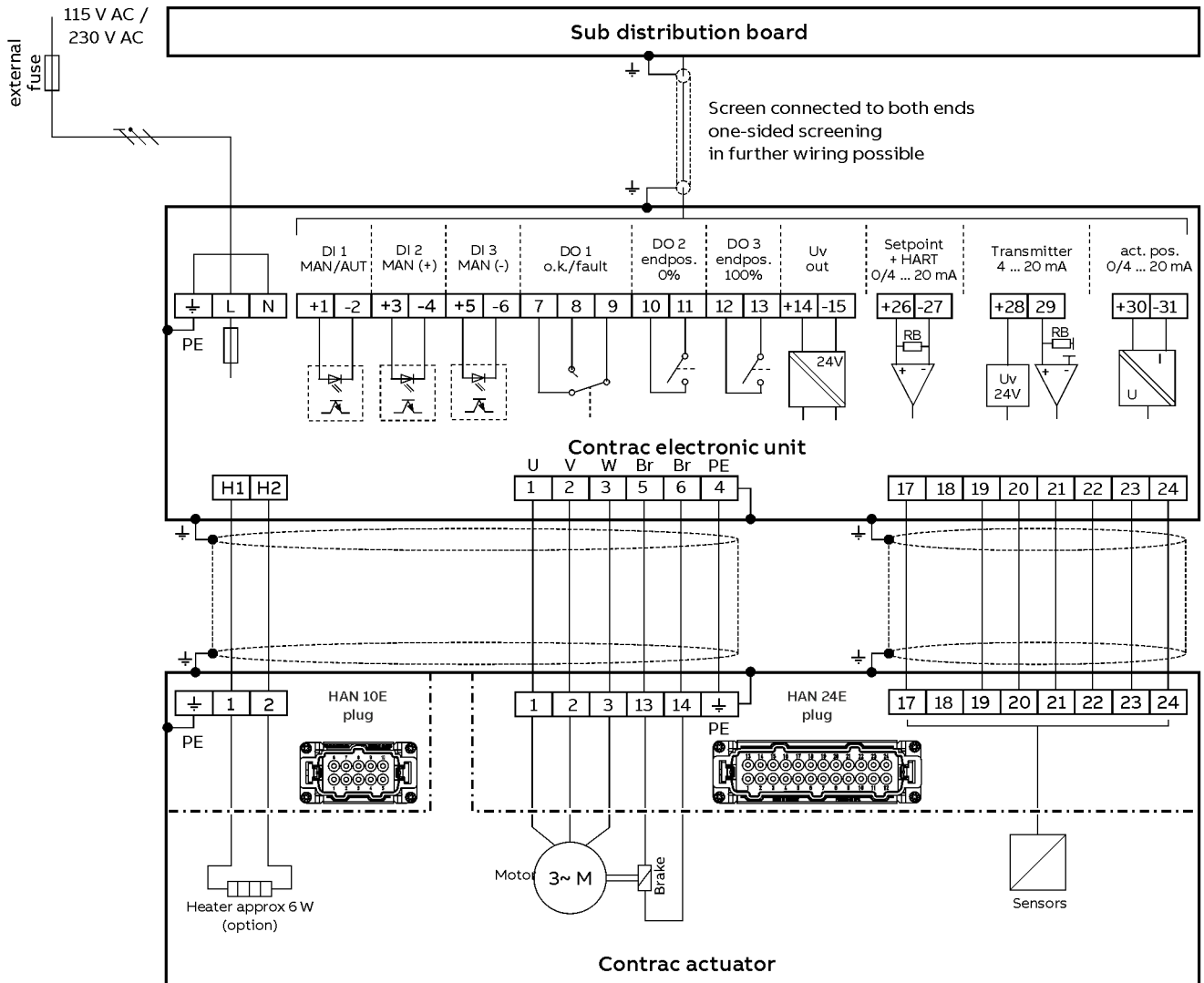
## ... Electrical connections

### Electronic unit EAN823 (Contrac) for PME120-AN

#### Analog / Digital

#### Note

- The electrical connection is provided by a universal plug on the actuator and the screw terminals on the electronic unit.
- If you are using a separate heat supply, the heater must be protected with a 2 to 6 A medium time-lag fuse (e.g. NEOZED D01 E14).



BE = digital input  
 BA = digital output

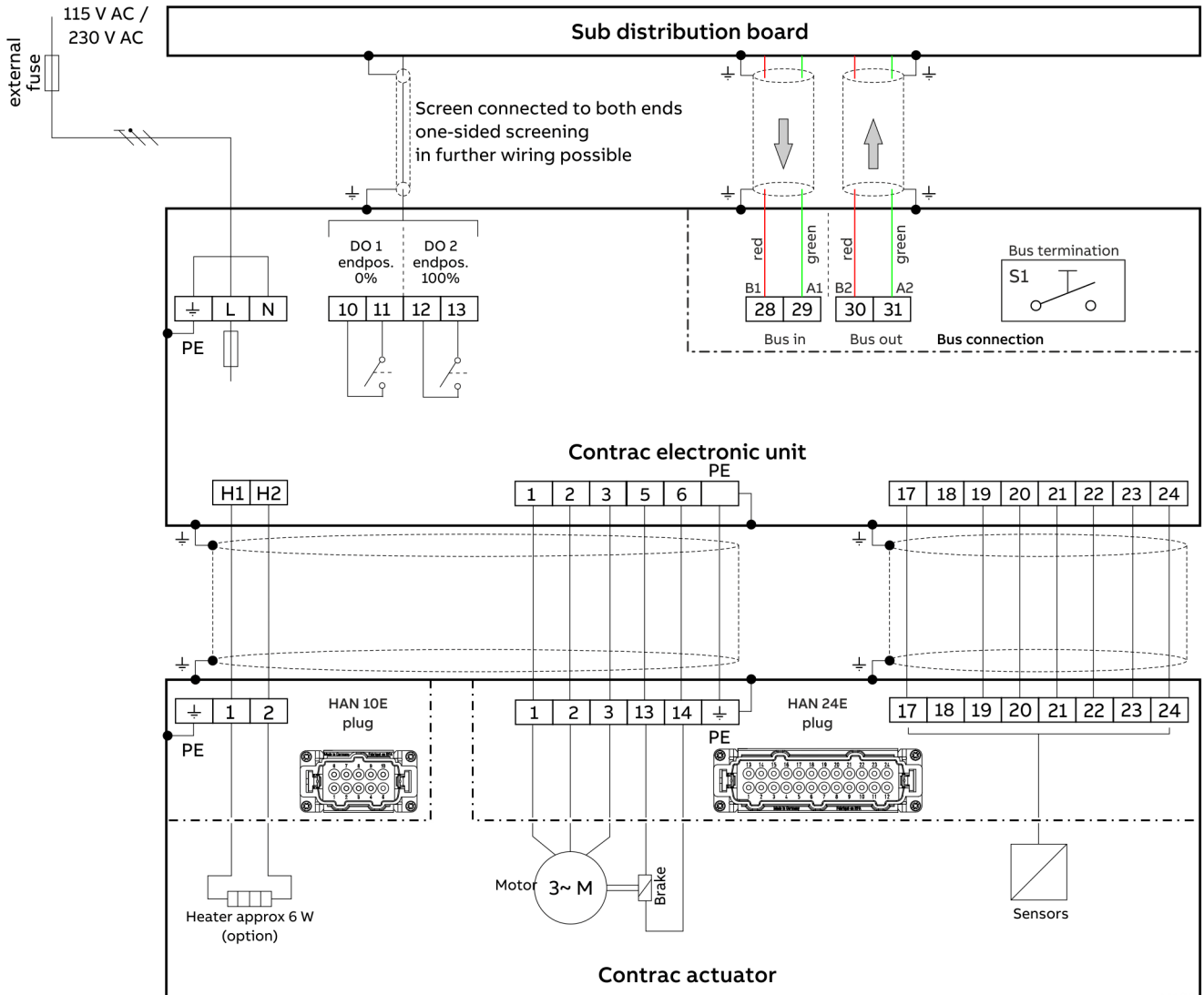
Figure 4: Control via analog input 0/4 to 20 mA, HART® communication or binary inputs



**PROFIBUS DP®**

**Note**

- The electrical connection is provided by a universal plug on the actuator and the screw terminals on the electronic unit.
- If you are using a separate heat supply, the heater must be protected with a 2 to 6 A medium time-lag fuse (e.g. NEOZED D01 E14).



BA = digital output

Figure 5: Control via fieldbus PROFIBUS DP®

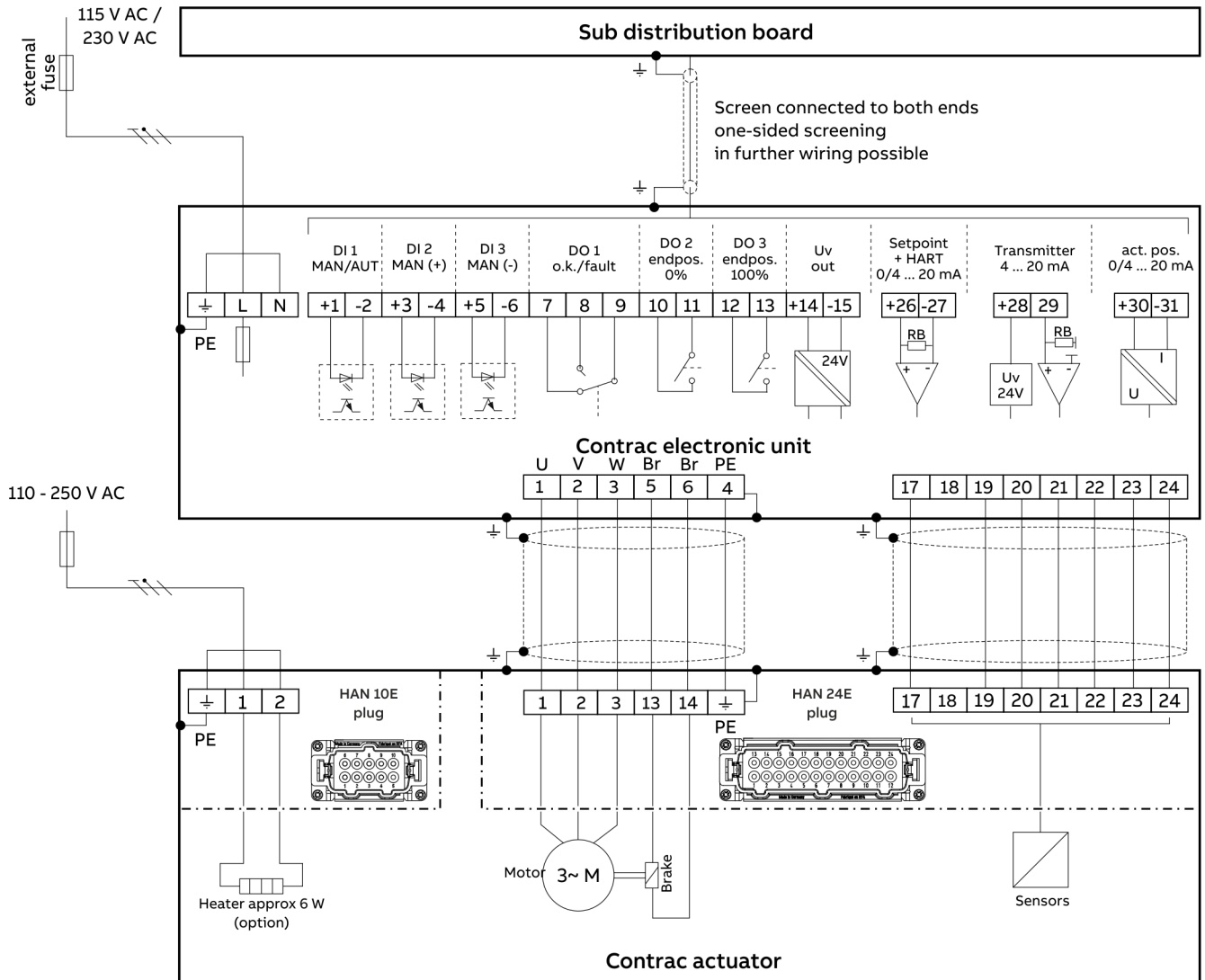
## ... Electrical connections

### Electronic unit EAS822 (Contrac) for PME120-AN

#### Analog / Digital

#### Note

- The electrical connection is provided by a universal plug on the actuator and the screw terminals on the electronic unit.
- If you are using a separate heat supply, the heater must be protected with a 2 to 6 A medium time-lag fuse (e.g. NEOZED D01 E14).

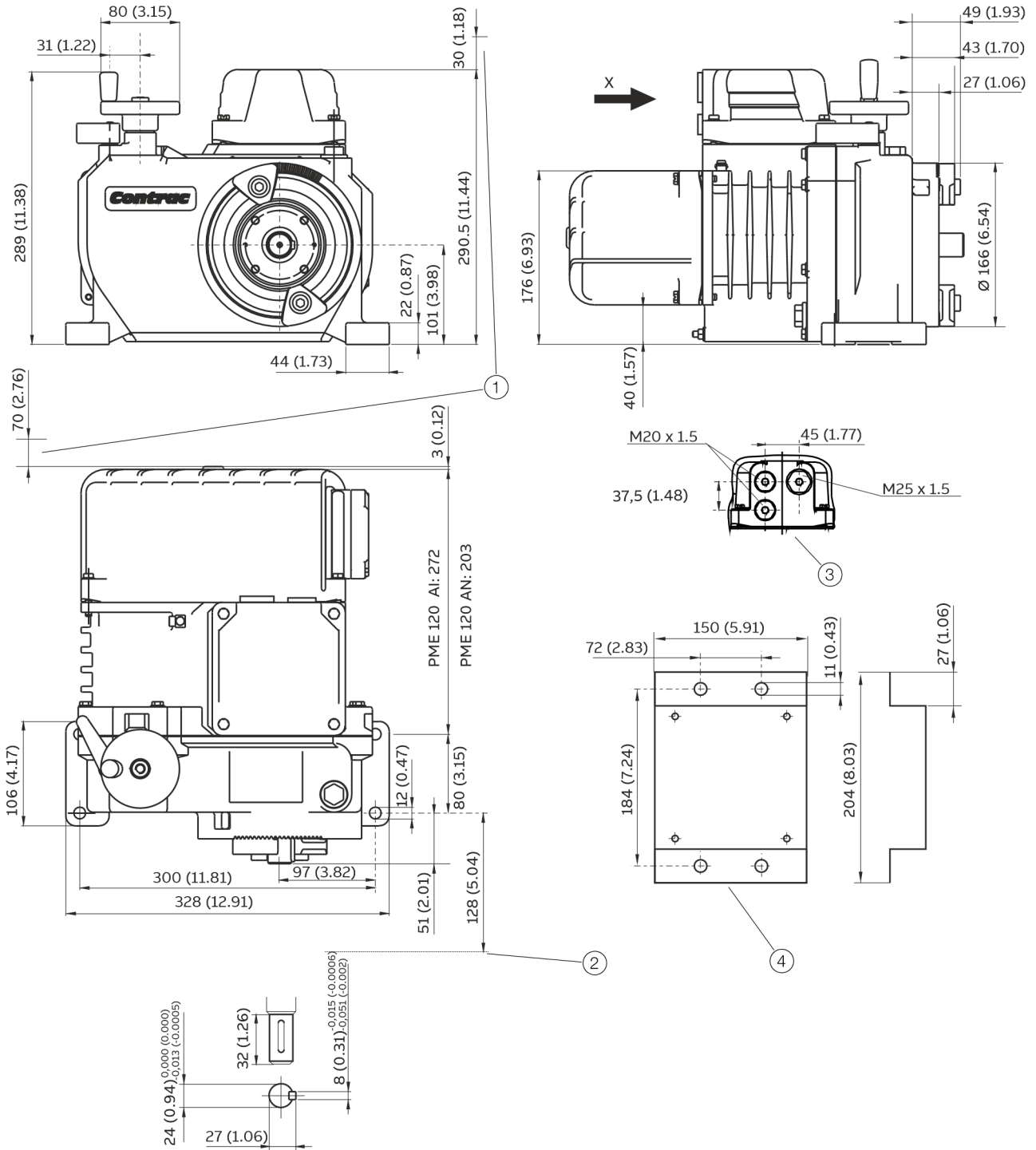


BE = digital input  
 BA = digital output

Figure 6: Control via analog input 0/4 to 20 mA, HART® communication or digital inputs

# Dimensions

## Control actuator

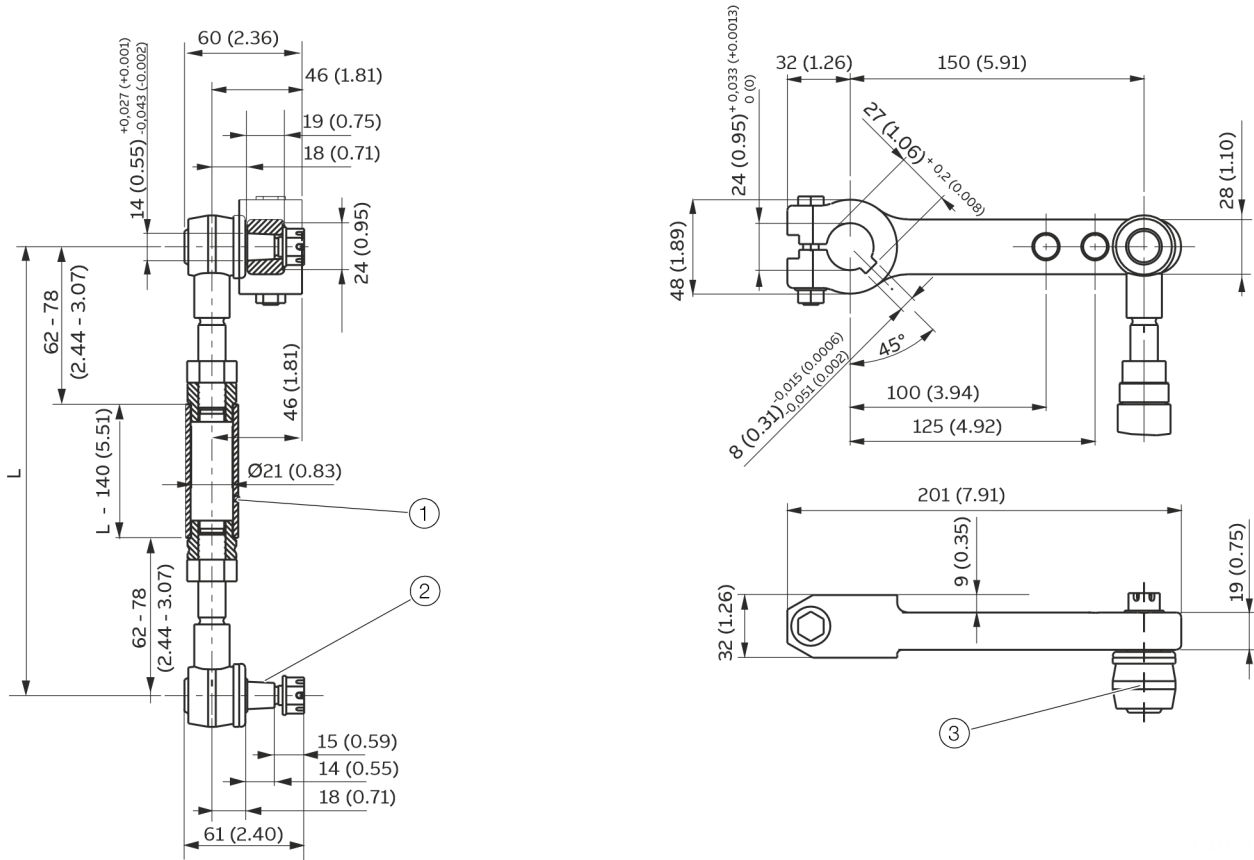


- ① Space for disassembly
- ② Direct adapter
- ③ View 'X' plug only
- ④ Plug holder (not to scale)

Figure 7: Dimensions in mm (in)

... Dimensions

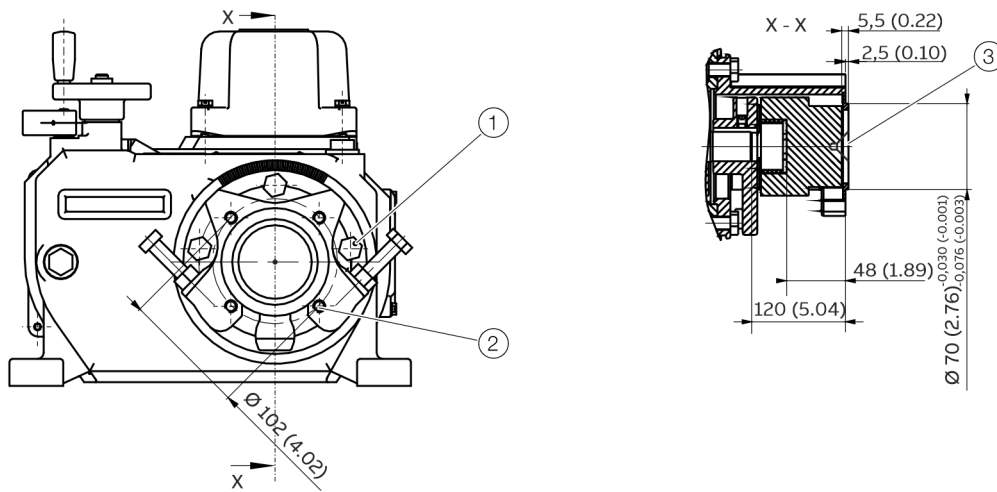
Lever



- ① Connection pipe 3/4 in. DIN EN 10255 / ISO 65 bzw. 3/4 in. schedule 40 pipe. Size 'L' acc. to requirements. The pipe is not included in delivery.
- ② Cone 1: 10
- ③ Angular deflection of ball and socket joint: Pointing towards the actuator max. 3°; pointing away from the actuator max. 10°

Figure 8: Dimensions in mm (in)

## Direct adapter



- ①  $M_A = 40 \text{ Nm}$
- ② M10; 15 deep
- ③ Centered, undrilled

Figure 9: Dimensions in mm (in)

F10 flange as per EN ISO 5211

### Materials

- Flange: EN-JS1050 as per DIN EN 1563 (GGG50 acc. to DIN 1693)
- Shaft: EN-JS1030 as per DIN EN 1563 (GGG40 acc. to DIN 1693)

## Ordering Information

### PME120-AI (with integrated Electronics)

<b>Basic model</b>	V68122A	XXXX	XXX	XXX	XXX	XXX	XXX	XXX	XXX	XXX
PME120-AI Rotary Actuator, with integrated Electronics, rated torque 100 Nm (80 ft-lbs) (adjustable to 50 % / 75 % / 100 %)										
<b>Rated Pos. Speed</b>	4.5°/s (adjustable to 4.5 to 0.1°/s)									
	0000									
<b>Adjusted to</b>	100 Nm (80 ft-lbs) // 4.5°/s // 20 s/90°									
	310									
<b>Mechanical Connection</b>										
Shaft with key	370									
Lever set, standard design (consists of lever, 2 ball-and-socket joints and 2 welding bushings)	371									
Lever set, US design (consists of lever, 2 ball-and-socket joints and 2 US welding bushings)	374									
Direct adapter	372									
<b>Electrical Connection</b>										
Plug (24-pole) complete, crimped	277									
Plug (24-pole) complete, terminals	278									
<b>Supply Voltage</b>										
230 V AC 1 Ph	380									
115 V AC 1 Ph	381									
<b>Frequency</b>										
50 Hz	382									
60 Hz	383									
<b>Digital Communication</b>										
RS 232	384									
RS 232 + HART®	385									
PROFIBUS DP®	386									
PROFIBUS DPV1®	387									
<b>Settings of Electronic Unit</b>										
Standard settings (see <b>technical data</b> )	390									
Customer-specific settings (see data sheet 10/68-2.40 EN)	391									
<b>Ambient Temperature Range</b>										
-10 to 55 °C (15 to 130 °F)	342									
-25 to 55 °C (-15 to 130 °F)	343									



**Additional ordering information PME120-AI (with integrated Electronics)**

PME120-AI Rotary Actuator, with integrated Electronics	XXX	XXX	XXX	XXX	XXX	XXX	XXX	XXX	XXX	XXX	XXX
<b>Electrical Connection Thread</b>											
Set NPT adapter (junction metric / NPT thread)	680										
Set PG adapter (junction metric / PG thread)	681										
<b>Identification on Data Label</b>											
(Alphanumeric, max. 32 characters)		294									
<b>Data Label with US Units</b>											
Data label with US units			253								
<b>Accessories: Plug Cover</b>											
Cover for male plug (24 pole)				337							
<b>Accessories: Plug Holder</b>											
Plug holder					338						
<b>Factory Certificate 2.1 acc. to EN 10204</b>											
Factory certificate 2.1 acc. EN 10204						291					
<b>Certificate 3.1 acc. to EN 10204</b>											
Certificate 3.1 acc. EN 10204							292				
<b>UKCA</b>											
UKCA								293			
<b>Handling of Certificates</b>											
Send via e-mail									GHE		
Send via mail									GHP		
Send via mail express									GHD		
Send with instrument									GHA		
Only archived									GHS		
<b>Operating Instruction</b>											
German											Z1D
English											Z1E
Portuguese											Z1P
Italian											Z1I
French											Z1F
<b>Positioner / Controller Function</b>											
Process controller function											239

**Accessories**

Description	Bestellnummer
RHD(E) / RSD(E) / PME / LME Save & Restore tool ECOM688, for Contrac power electronics with software version < 2.00	3201110
RHD(E) / RSD(E) / PME / LME Save & Restore tool ECOM700, for Contrac power electronics with software version ≥ 2.00	3KXE911100L0001
RHD(E) / RSD(E) / PME / LME PC connection cable, 3 m cable with 9-pole sub-D plug and 9-pole sub-D socket	746349
PME Adapter Plate for rotary Actuators, Type AP7	789450

## ... Ordering Information

### PME120-AN (separate Electronic Unit)

Basic model	V68120A	XXXX	XXX	XXX	XXX	XXX
PME120-AN Rotary Actuator, for separate Electronic Unit, rated torque 100 Nm (80 ft-lbs) (adjustable to 50 % / 75 % / 100 %)						
<b>Rated Pos. Speed</b>						
4.5°/s (adjustable to 4.5 to 0.1°/s)	0000					
<b>Mechanical Connection</b>						
Shaft with key	370					
Lever set, standard design (consists of lever, 2 ball-and-socket joints and 2 welding bushings)	371					
Lever set, US design (consists of lever, 2 ball-and-socket joints and 2 US welding bushings)	374					
Direct adapter	372					
<b>Electrical Connection</b>						
Plug (24-pole) complete, crimped	277					
Plug (24-pole) complete, terminals	278					
Plug bottom part covered	279*					
<b>Connection to Electronic Unit</b>						
EAN820, EAN823 (supply voltage 230 V AC)	280					
EAN820, EAN823 (supply voltage 115 V AC)	281					
EAS822 (supply voltage 230 V AC)	282					
EAS822 (supply voltage 115 V AC)	283					
<b>Ambient Temperature Range</b>						
-10 to 65 °C (15 to 150 °F)	344					
-25 to 55 °C (-15 to 130 °F)	343					
-1 to 85 °C (30 to 185 °F) (Rated speed limited to 2°/s)	349					

\* Female plug with cables to be ordered with electronic unit

**Additional ordering information PME120-AN (separate Electronic Unit)**

	XXX	XXX	XXX	XXX	XXX	XXX	XXX	XXX	XXX	XXX
PME120-AN Rotary Actuator, for separate Electronic Unit										
<b>PME120-AN Rotary Actuator, for separate Electronic Unit</b>										
PME120-AN Rotary Actuator, for separate Electronic Unit	680									
PME120-AN Rotary Actuator, for separate Electronic Unit	681									
<b>Anti-condensation Heater</b>										
Anti-condensation heater		360								
<b>Identification on Data Label</b>										
Alphanumeric, max. 32 characters			294							
<b>Data Label with US Units</b>										
Data label with US units				253						
<b>Accessories: Plug Cover</b>										
Cover for male plug (24 pole)					337					
<b>Accessories: Plug Holder</b>										
Plug holder						338				
<b>Factory Certificate 2.1 acc. to EN 10204</b>										
Factory certificate 2.1 acc. EN 10204							291			
<b>Certificate 3.1 acc. to EN 10204</b>										
Certificate 3.1 acc. EN 10204								292		
<b>Handling of Certificates</b>										
Send via e-mail									GHE	
Send via mail									GHP	
Send via mail express									GHD	
Send with instrument									GHA	
Only archived									GHS	
<b>Operating Instruction</b>										
German										Z1D
English										Z1E
Portuguese										Z1P
Italian										Z1I
French										Z1F

**Accessories**

Description	Order number
RHD(E) adapter plate for rotary actuators, type AP7	789450



## Trademarks

HART is a registered trademark of FieldComm Group, Austin, Texas, USA  
PROFIBUS and PROFIBUS DP are registered trademarks of PROFIBUS &  
PROFINET International (PI)

Sales



Service



---

## Notes



## Notes







---

## **ABB Measurement & Analytics**

For your local ABB contact, visit:

**[www.abb.com/contacts](http://www.abb.com/contacts)**

For more product information, visit:

**[www.abb.com/actuators](http://www.abb.com/actuators)**

---

We reserve the right to make technical changes or modify the contents of this document without prior notice. With regard to purchase orders, the agreed particulars shall prevail. ABB does not accept any responsibility whatsoever for potential errors or possible lack of information in this document.

We reserve all rights in this document and in the subject matter and illustrations contained therein. Any reproduction, disclosure to third parties or utilization of its contents – in whole or in parts – is forbidden without prior written consent of ABB.