

SEE SHEET 1/5

12	USB REAR SHIELDING	1	STAINLESS STEEL SUS304 3/4H T=0.20±0.02mm	CLEANING
11	RJ45 CONTACT	8	PHOSPHOR BRONZE C5191R-H T=0.30±0.02mm	30u" MIN. FPT PLATING AT CONTACT FUNCTION AREA 100~200u" LEAD FREE TIN PLATING AT SOLDERING AREA 50~100u" NICKEL UNDERPLATING
10	LIGHTER	2	LED	LED1 X 1 LED2 X 1
9	USB CONTACT	18	BRASS METAL JIS C2680R-SH T=0.20±0.02mm	1u" Min Gold AND 30u" Pd/Ni MIN AT CONTACT AREA, 100u" Min LEAD FREE TIN ALLOY AT TERMINATION, 50u" Min NICKEL UNDERPLATING OVER ALL.
8	TRANSFORMER MODULE	1		
7	FOOT CONTACT	14	BRASS JIS C2680R-SH T=0.30±0.02mm	100~200 u" LEAD FREE TIN PLATING ALL 50~100u" NICKEL UNDERPLATING
6	USB HOUSING	2	PA66 UL 94V-0	MOLDED COLOR: BLACK
5	FRAME HOUSING	1	PBT UL 94V-0	MOLDED COLOR: BLACK
4	USB SHELL	1	STAINLESS STEEL SUS304 3/4H T=0.30±0.02mm	30u" Min NICKEL PLATING ONLY AT TAIL, 50u" Min TIN PLATING ONLY AT TAIL, NO PLATING ON THE OTHER AREA.
3	REAR SHELL	1	STAINLESS STEEL SUS304 3/4H T=0.15±0.02mm	10~100u" NICKEL UNDERPLATING, 30~200u" Sn PLATED AT TAB AREA
2	USB INSERT HOUSING	2	PA66 UL 94V-0	MOLDED COLOR: BLUE, PANTONE 300C
1	FRONT SHELL	1	STAINLESS STEEL SUS304 1/2H T=0.25±0.02mm	CLEANING
ITEM	DESC.	Q'TY	MATERIAL	TREATMENT

REMARK:

JFM
RJ WITH
MAGNETIC

3
CORE COUNT:
8=8 CORE

PROTOCOL
TYPE:
3=10/100/1000
BASE T

8
CORE COUNT:
8=8 CORE

U
CONFIGURATION:
U=COMBO USB

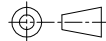
1
PCB ATTACH
METHOD
1=SOLDER
TAIL

*
LEDs
(SEE SHEET 3/5)

- B A S 1 -
EXTENSION NO.

4
PACKAGING
4: SOFT TRAY

*
MATERIAL:
H: HALOGEN FREE
F: LEAD FREE

X.±	X.±	UNITS MM [INCH]	NAME(INTENDED USE) CUSTOMER	FOXCONN® FOXCONN INTERCONNECT TECHNOLOGY LIMITED.
.X±	.X±	MAT'L N/A	PART NO.(INTENDED USE) JFM38U1*-BAS1-4*	CLASS: <input type="checkbox"/> CONFIDENTIAL <input type="checkbox"/> SECRET <input checked="" type="checkbox"/> GENERAL
.XX±	.XX±	FINISH N/A	APPD: CAMVARD 10/15'18	TITLE: RJ45 MODULAR JACK W/LEDS OVER STACKED USB3.1 RECEPTACLE
.XXX±	.XXX±	Q'TY N/A	CHKD: J.S.Hu 10/15'18 DRAW: Hailong Fu 10/15'18	DWG NO.: 305-0000-5980
<small>THESE DRAWINGS AND SPECIFICATIONS ARE THE PROPERTY OF FOXCONN INTERCONNECT TECHNOLOGY LIMITED.AND SHALL NOT BE REPRODUCED, COPIED OR USED IN ANY MANNER WITHOUT THE PRIOR WRITTEN CONSENT OF FOXCONN INTERCONNECT TECHNOLOGY LIMITED.</small>				
				SCALE N/A

NOTES :UNLESS OTHERWISE SPECIFIED

6. ALL SHIELDING PINS TO BE CONNECTED TO SHELL GROUNDING.

7. ELECTRICAL SPECIFICATIONS @ 25°C:

INSERTION LOSS	-1.2dB Max. @ 1 -100MHz;
RETURN LOSS	-18dB Min. @ 1 -40MHz;
	-12+20Log(f/80) Min. @ 40-100MHz;
CMRR	-30dB @ 1-100MHz; MIN.
CROSSTALK	-30dB @ 1-100MHz; MIN
HI-POT(ISOLATION VOLTAGE)	1500 Vrms
URNS RATIO:	
PRI VS SEC	1CT : 1CT ±3%
PRIMARY INDUCTANCE(OL) @ 100KHz/100mVRMS	
8mA DC BIAS(P20-P21),(P22-P23),(P24-P25),(P26-P27)	350uH MIN.

SCHEMATIC

PHY SIDE CABLE SIDE

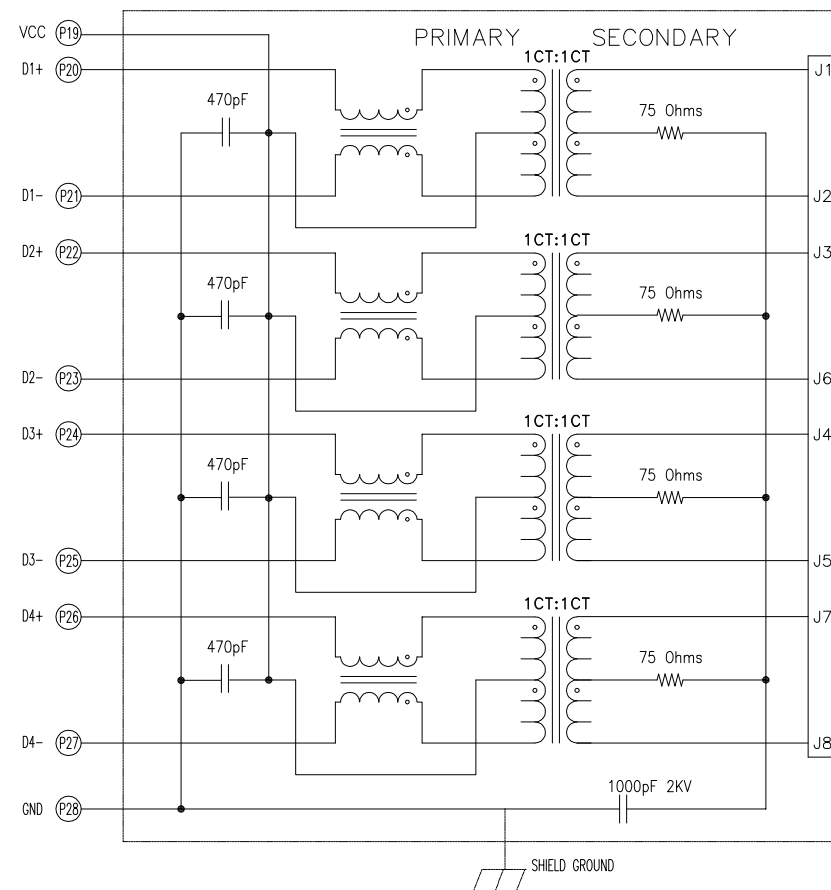
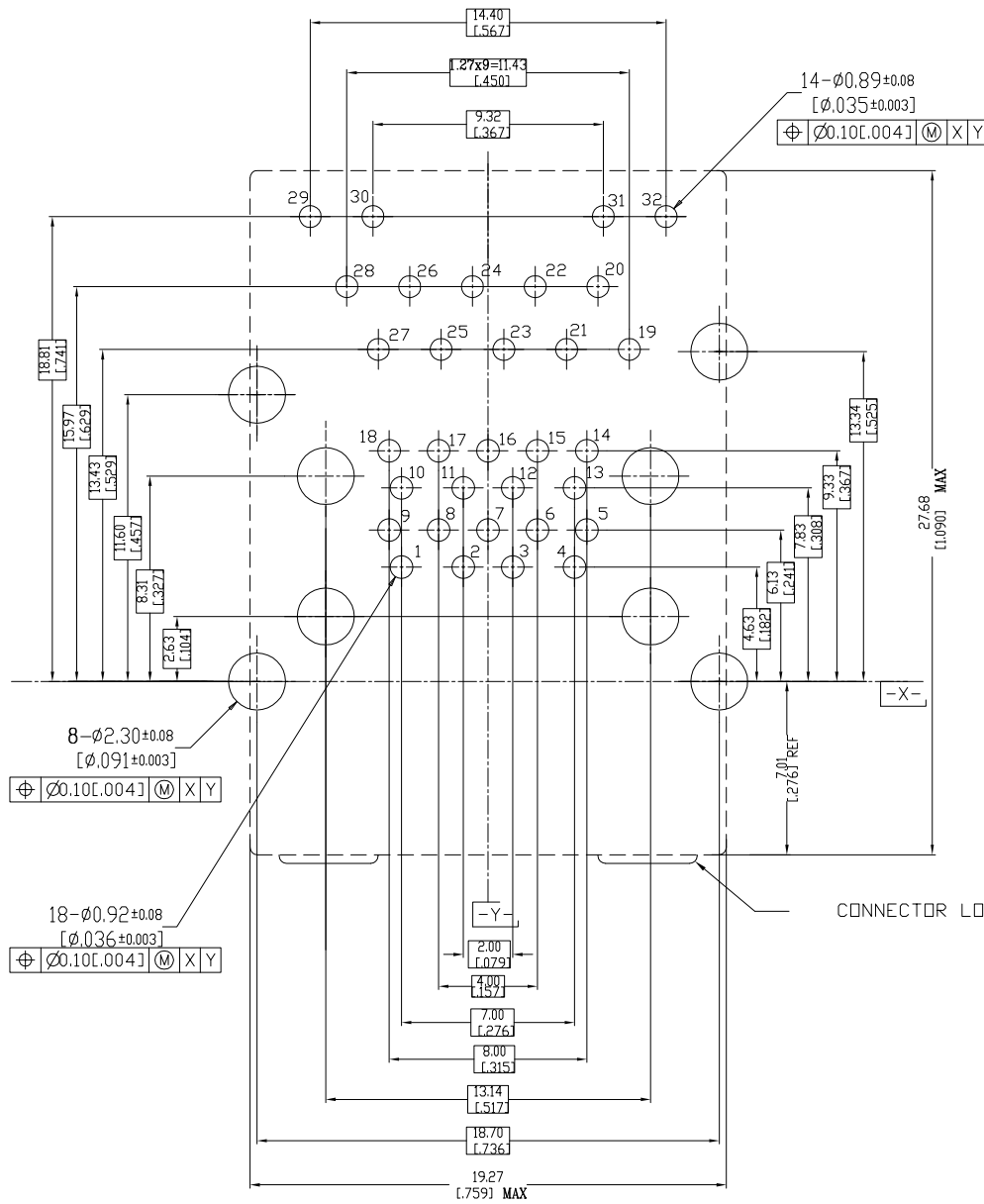


FIG 1

JFM38U1M-BAS1-4*	29 YELLOW	30	31 ORANGE	32 GREEN
JFM38U1K-BAS1-4*	29 ORANGE	30	31 GREEN	32 ORANGE
JFM38U1J-BAS1-4*	29 GREEN	30	31 GREEN	32 YELLOW
JFM38U1H-BAS1-4*	29 ORANGE	30	31 GREEN	32 GREEN
JFM38U1G-BAS1-4*	29 YELLOW	30	31 GREEN	32 ORANGE
JFM38U1F-BAS1-4*	29 GREEN	30	31 ORANGE	32 GREEN
JFM38U1B-BAS1-4*	29 GREEN	30	31 YELLOW	32 ORANGE
JFM38U1A-BAS1-4*	29 GREEN	30	31 YELLOW	32 GREEN
JFM38U14-BAS1-4*	29 YELLOW	30	31 YELLOW	32 GREEN
JFM38U13-BAS1-4*	29 GREEN	30	31 YELLOW	32 GREEN
JFM38U12-BAS1-4*	29 GREEN	30	31 GREEN	32 GREEN
JFM38U11-BAS1-4*	29 YELLOW	30	31 GREEN	32 GREEN
JFM38U10-BAS1-4*	NONE	30	NONE	32
PART NO.	LED1		LED2	

X.±	X.*±	UNITS MM [INCH]	NAME(INTENDED USE)	FOXCONN® FOXCONN INTERCONNECT TECHNOLOGY LIMITED.
.X±	.X*±	MAT'L N/A	CUSTOMER	
.XX±	.XX*±		PART NO.(INTENDED USE) JFM38U1*-BAS1-4*	CLASS: <input type="checkbox"/> CONFIDENTIAL <input type="checkbox"/> SECRET <input checked="" type="checkbox"/> GENERAL
.XXX±	.XXX*±	FINISH N/A	APPD: CAMVARD 10/15'18	TITLE: RJ45 MODULAR JACK W/LEDS OVER STACKED USB3.1 RECEPTACLE
THESE DRAWINGS AND SPECIFICATIONS ARE THE PROPERTY OF FOXCONN INTERCONNECT TECHNOLOGY LIMITED.AND SHALL NOT BE REPRODUCED, COPIED OR USED IN ANY MANNER WITHOUT THE PRIOR WRITTEN CONSENT OF FOXCONN INTERCONNECT TECHNOLOGY LIMITED.			Q'TY	DWG NO.: 305-0000-5980
			N/A	CHKD: J.S.Hu 10/15'18 DRAW: Hailong Fu 10/15'18



RECOMMENDED P.C.B. LAYOUT
TOP VIEW (COMPONENT SIDE)

USB 3.1 STANDARD-A CONNECTOR PIN ASSIGNMENTS

PIN NUMBER	SIGNAL NAME	DESCRIPTION
1 10	VBUS	POWER
2 11	D-	USB 2.0 DIFFERENTIAL PAIR
3 12	D+	
4 13	GND	GROUND FOR POWER RETURN
5 14	StdA_SSRX-	SUPERSPEED RECEIVER DIFFERENTIAL PAIR
6 15	StdA_SSRX+	
7 16	GND_DRAIN	GROUND FOR SIGNAL RETURN
8 17	StdA_SSTX-	SUPERSPEED TRANSMITTER DIFFERENTIAL PAIR
9 18	StdA_SSTX+	

X.±	X.±	UNITS MM	NAME(INTENDED USE) CUSTOMER	FOXCONN® FOXCONN INTERCONNECT TECHNOLOGY LIMITED.
.XX± 0.05 [0.02]	.XX±	MAT'L N/A	PART NO.(INTENDED USE) JFM38U1*-BAS1-4*	CLASS: <input type="checkbox"/> CONFIDENTIAL <input type="checkbox"/> SECRET <input checked="" type="checkbox"/> GENERAL
.XXX±	.XXX±	FINISH N/A	APPD: CAMVARD 10/15'18	TITLE: RJ45 MODULAR JACK W/LEDS OVER STACKED USB3.1 RECEPTACLE
THESE DRAWINGS AND SPECIFICATIONS ARE THE PROPERTY OF FOXCONN INTERCONNECT TECHNOLOGY LIMITED, AND SHALL NOT BE REPRODUCED, COPIED OR USED IN ANY MANNER WITHOUT THE PRIOR WRITTEN CONSENT OF FOXCONN INTERCONNECT TECHNOLOGY LIMITED.		Q'TY N/A	CHKD: J.S.Hu 10/15'18 DRAW: Hailong Fu 10/15'18	DWG NO.: 305-0000-5980
				SCALE SHEET REV. N/A 4/5 E

NOTES :UNLESS OTHERWISE SPECIFIED

1. LED'S CHARACTERISTICS:

FORWARD VOLTAGE IF=20mA GREEN 1.80~2.60V
 DOMINANT WAVELENGTH IF=20mA GREEN 564~574nm

LUMINOUS INTENSITY IF=20mA GREEN 4~16mcd
 FORWARD VOLTAGE IF=20mA YELLOW 1.80~2.40V
 DOMINANT WAVELENGTH IF=20mA YELLOW 584~592nm
 LUMINOUS INTENSITY IF=20mA YELLOW 2~12mcd

FORWARD VOLTAGE IF=20mA ORANGE 1.80~2.40V
 DOMINANT WAVELENGTH IF=20mA ORANGE 600~605nm
 LUMINOUS INTENSITY IF=20mA ORANGE 2~12mcd

2. MECHANICAL CHARACTERISTICS:

- 2-1. CONNECTOR MATING FORCES: 4.5LBS MAXIMUM WITH LATCH DEPRESSED.
 CONNECTOR UNMATING FORCE: 4.5LBS MAXIMUM WITH LATCH DEPRESSED AT AN ADVANTAGEOUS ANGLE.
- 2-2. DURABILITY (MATING/UNMATING CYCLES): 1000 CYCLES.
- 2-3. OPERATING TEMPERATURE: -30°C TO +85°C.
 STORAGE TEMPERATURE: -40°C TO +100°C.

USB SPECIFICATIONS:

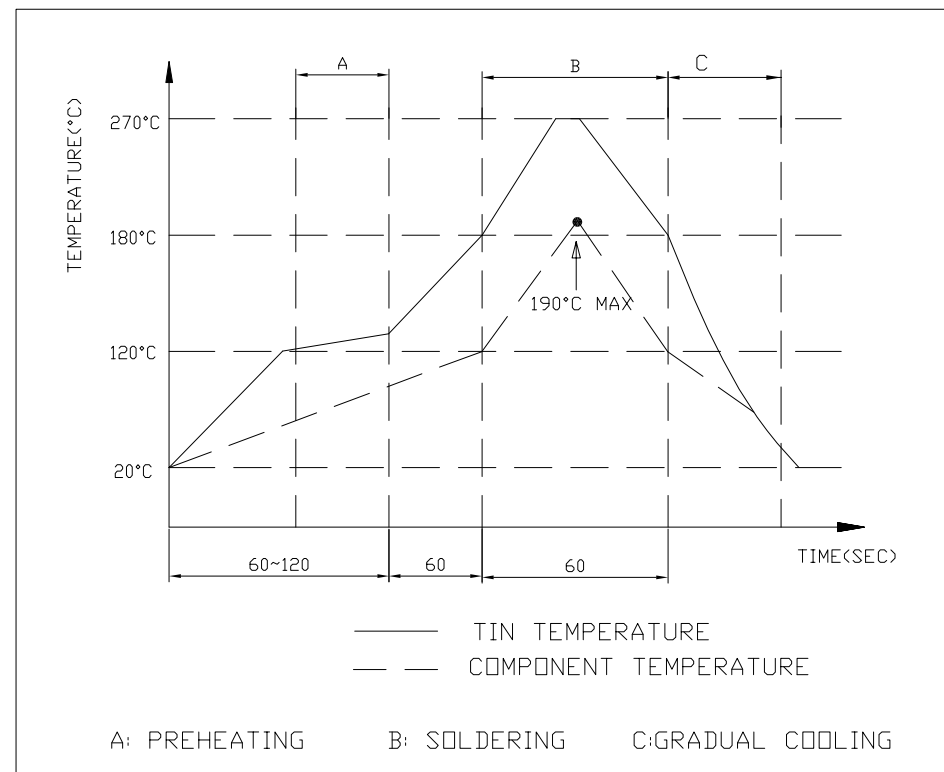
1. ELECTRICAL CHARACTERISTICS:

- 1-1.CONTACT CURRENT RATING:
 1.8A FOR V-BUS AND GND PIN.
 0.25A MIN. FOR ALL OTHER CONTACTS.
- 1-2.CONTACT RESISTANCE:
 30 MOHMS MAX FOR V-BUS AND GND CONTACTS.
 50 MOHMS MAX. FOR OTHER CONTACTS.
- 1-3.DIELECTRIC WITHSTANDING VOLTAGE: 100 VAC MIN.
- 1-4.INSULATION RESISTANCE: 100 MOHMS MIN..

2. MECHANICAL CHARACTERISTICS:

- 2-1.CONNECTOR MATING FORCE : 3.5 Kgf MAX..
- 2-2.CONNECTOR UNMATING FORCE : 1.0 Kgf MIN..
- 2-3.DURABILITY : 1500 CYCLES.
- 2-4.OPERATING TEMPERATURE: -30°C TO +85°C.
 STORAGE TEMPERATURE: -40°C TO +100°C.

PROFILE OF WAVE SOLDER:



SUGGESTED WAVE SOLDER CURVE

- (1) PEAK TEMPERATURE: 270°C
- (2) PEAK TEMPERATURE TIME: 6~10 SECONDS .

X.±	X.±	UNITS MM	NAME(INTENDED USE) CUSTOMER	FOXCONN® FOXCONN INTERCONNECT TECHNOLOGY LIMITED.						
.X±	.X*±	MAT'L N/A	PART NO.(INTENDED USE) JFM38U1*-BAS1-4*	CLASS: <input type="checkbox"/> CONFIDENTIAL <input type="checkbox"/> SECRET <input checked="" type="checkbox"/> GENERAL						
.XX±	.XX*±	FINISH N/A	APPD: CAMVARD 10/15'18	TITLE: RJ45 MODULAR JACK W/LEDS OVER STACKED USB3.1 RECEPTACLE						
.XXX±	.XXX*±	Q'TY N/A	CHKD: J.S.Hu 10/15'18 DRAW: Hailong Fu 10/15'18	DWG NO.: 305-0000-5980						
THESE DRAWINGS AND SPECIFICATIONS ARE THE PROPERTY OF FOXCONN INTERCONNECT TECHNOLOGY LIMITED.AND SHALL NOT BE REPRODUCED, COPIED OR USED IN ANY MANNER WITHOUT THE PRIOR WRITTEN CONSENT OF FOXCONN INTERCONNECT TECHNOLOGY LIMITED.				<table border="1"> <tr> <td>SCALE</td> <td>SHEET</td> <td>REV.</td> </tr> <tr> <td>N/A</td> <td>5/5</td> <td>E</td> </tr> </table>	SCALE	SHEET	REV.	N/A	5/5	E
SCALE	SHEET	REV.								
N/A	5/5	E								