

REV.	ECN. NO.	APPD.
A	BC-18-0028130	Camvard

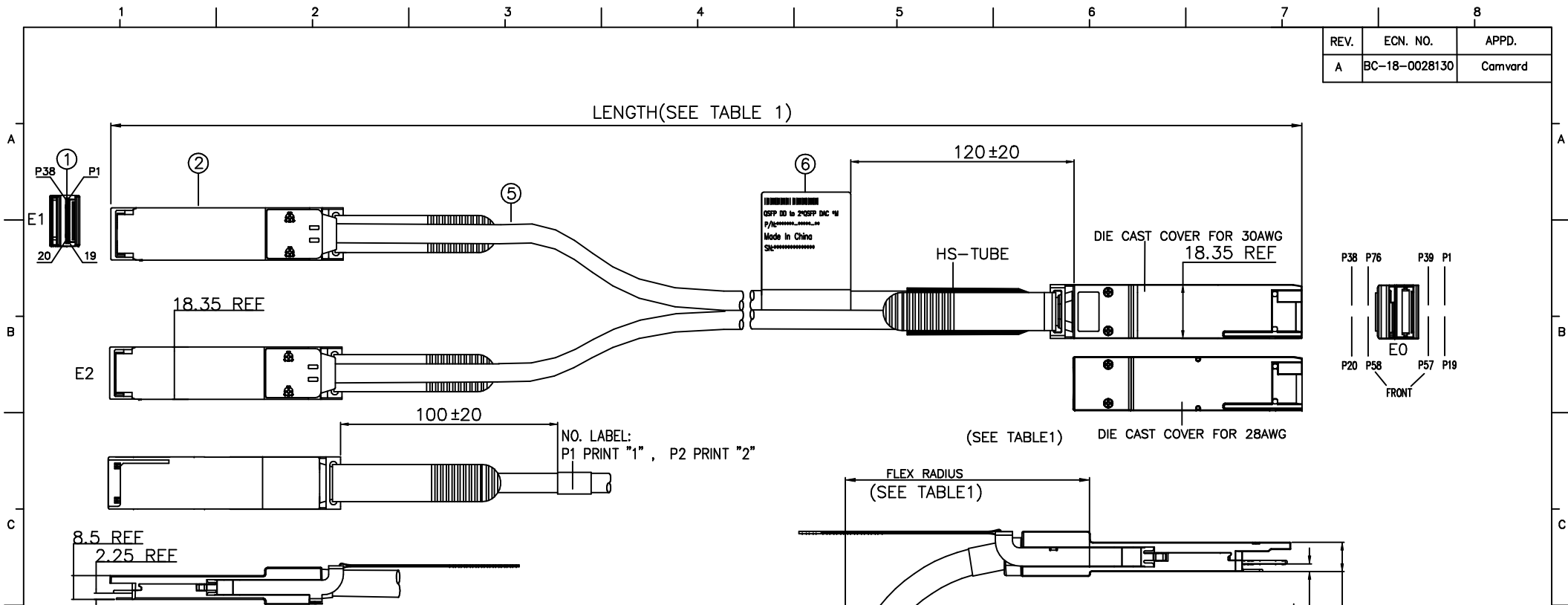

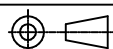


TABLE 1:

ITEM	FIT HON TENG P/N	LENGTH	AWG	CABLE O.D.	FLEX RADIUS
1	CU4DP54-0A001-EF	500±30	30	∅6.9±0.5	70MM
2	CU4DP54-01001-EF	1000±30	30	∅6.9±0.5	70MM
3	CU4DP54-0B001-EF	1500±50	30	∅6.9±0.5	70MM
4	CU4DP54-02001-EF	2000±50	30	∅6.9±0.5	70MM
5	CU4DP53-0C001-EF	2500±50	28	∅8.4±0.5	80MM

X.± 3	X'.± 3'	UNITS MM	NAME(INTENDED USE) CUSTOMER	 FOXCONN INTERCONNECT TECHNOLOGY LIMITED.						
.X± 0.5	.X'± 2'	MAT'L	PART NO.(INTENDED USE) SEE TABLE1		CLASS: <input type="checkbox"/> CONFIDENTIAL <input type="checkbox"/> SECRET <input checked="" type="checkbox"/> GENERAL					
.XX± 0.2	.XX'± 1'		APPD: Camvard 07/03'18	TITLE: QSFP DD to 2*QSFP56 PASSIVE						
.XXX±	.XXX'±	FINISH	Q'TY	DWG NO.: 605-0000-6735						
<small>THESE DRAWINGS AND SPECIFICATIONS ARE THE PROPERTY OF FOXCONN INTERCONNECT TECHNOLOGY LIMITED. AND SHALL NOT BE REPRODUCED, COPIED OR USED IN ANY MANNER WITHOUT THE PRIOR WRITTEN CONSENT OF FOXCONN INTERCONNECT TECHNOLOGY LIMITED.</small>			CHKD: Achilles 07/03'18 DRAW: Tingting Liu 07/03'18	 <table border="1"> <tr> <th>SCALE</th> <th>SHEET</th> <th>REV.</th> </tr> <tr> <td>1:1</td> <td>1/2</td> <td>A</td> </tr> </table>	SCALE	SHEET	REV.	1:1	1/2	A
SCALE	SHEET	REV.								
1:1	1/2	A								

REV.	ECN. NO.	APPD.

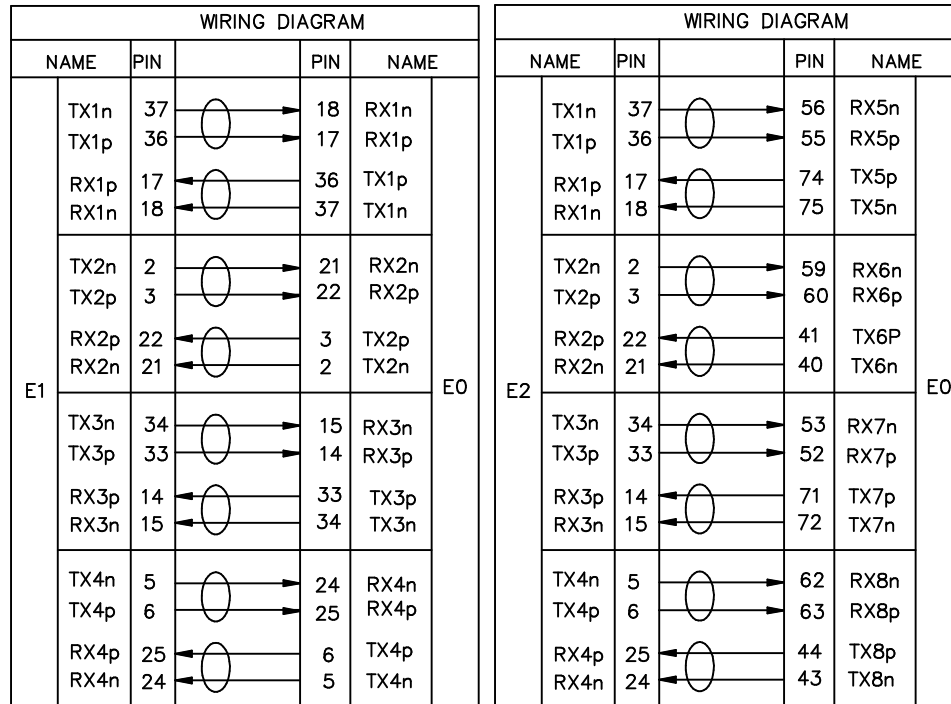
TABLE 2:


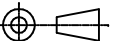
6	LABEL	CABLE LABEL	1PCS
5	RAW CABLE	8 PAIRS*2 RAW CABLE	2*L
4	QSFP DD PLUG KIT	ZINC ALLOY NICKEL PLATING	1SET
3	QSFP DD PCBA	QSFP DD PASSIVE PCBA,GOLDEN FINGER	1PCS
2	QSFP28 PLUG KIT	ZINC ALLOY NICKEL PLATING	2SET
1	QSFP28 PCBA	QSFP PASSIVE PCBA,GOLDEN FINGER	2PCS
ITEM	PART NAME	DESCRIPTION	QTY

NOTES:

- HARMFUL MATERIAL CONTROL PLEASE FOLLOW DOC. No."EPI12".
- RAW CABLE: 8 SHIELDED PAIRS*2, DIFFERENTIAL IMPEDANCE: 100±5 Ohms. WITH AL/PET & BRAID SHIELD OVERALL, JACKET COLOR: BLACK
- MODULE SPEC:
 - INSERTION FORCES: 90N Max.;
 - EXTRACTION FORCES: 50N Max.;
 - RETENTION FORCES: 90N Min.;
 - INSERTION/REMOVAL CYCLES: 50 CYCLES
- INSERTION LOSS SPEC: Max. 17.16dB@13.28GHz

TABLE3: QSFP DD TO 2*QSFP56 WIRING DIAGRAM



X.± 3	X.*± 3*	UNITS MM	NAME(INTENDED USE) CUSTOMER	 FOXCONN INTERCONNECT TECHNOLOGY LIMITED.
.X± 0.5	.X*± 2*	MAT'L	PART NO.(INTENDED USE) SEE TABLE1	
.XX± 0.2	.XX*± 1*		APPD: Camvard 07/03'18	CLASS: <input type="checkbox"/> CONFIDENTIAL <input type="checkbox"/> SECRET <input checked="" type="checkbox"/> GENERAL
.XXX±	.XXX*±	FINISH	CHKD: Achilles 07/03'18	TITLE: QSFP DD TO 2*QSFP56 PASSIVE
THESE DRAWINGS AND SPECIFICATIONS ARE THE PROPERTY OF FOXCONN INTERCONNECT TECHNOLOGY LIMITED.AND SHALL NOT BE REPRODUCED, COPIED OR USED IN ANY MANNER WITHOUT THE PRIOR WRITTEN CONSENT OF FOXCONN INTERCONNECT TECHNOLOGY LIMITED.		Q'TY	DRAW: Tingting Liu 07/03'18	DWG NO.: 605-0000-6735
			 SCALE SHEET REV. 1:1 2/2 A	