

SPECIFICATIONS

Mechanical

Contact Retention Force: 1.0Kg min.

Electrical

Voltage Rating: 750V

Current Rating: 1A

Contact Resistance: 45mΩ max.

Dielectrical Withstanding Voltage: 1000V

Insulation Resistance: 1000MΩ min.

Physical

Housing: LCP, UL 94-0 rated, Ivory White

Contact: Phosphor Bronze

Plating: See "ORDERING INFORMATION"

FUTURE BUS CONNECTOR

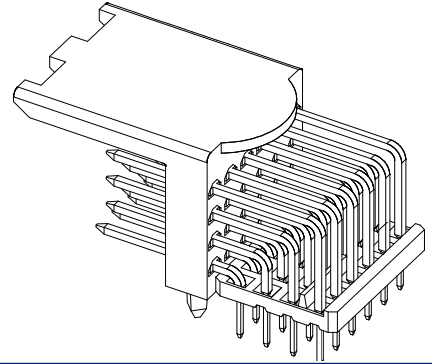
1F Series

Header R/A 24pos. solder

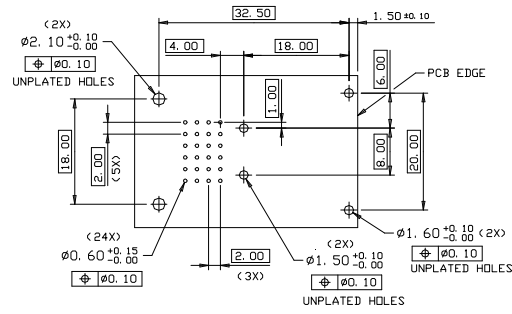
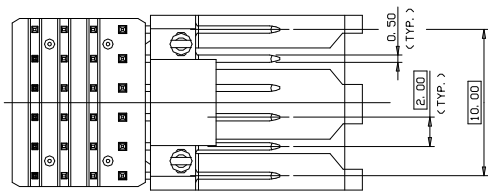
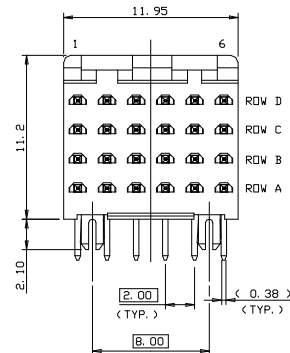
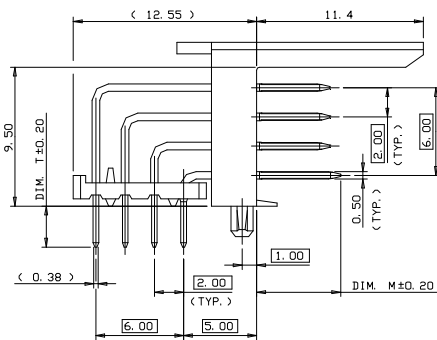
Type

2.0mm Pitch

2 Rows



DRAWING



RECOMMENDED PCB LAYOUT
(COMPONENT SIDE)

ORDERING INFORMATION

PRODUCT NO.: 1 F 1 1 0 2 4 * - S * * 9 S * - * *

Mating Area Plating:
 5=1.27um(50u")MIN. GOLD PLATING
 D=1.27um(50u")MIN. FPT PLATING
 0.25um(10u")MIN. GOLD INCLUDED
 Selective Pin Pattern:
 (Detail Please Refer To Customer Drawing)
 Body Type:
 Right Angle,
 Selective Pin Type

Lead Free Code:
 N=None
 F=Lead Free
 Package Type:
 A=Tube
 7=Tape & Reel
 Extension Code:
 N,T,L,M