

Extra duty while-in-use weather protective covers

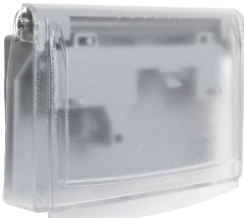
Project Name:	Prepared By:
Project Number:	Date:
Catalog Number:	Type:



WIUX-1LPVGY



WIUX-1W



WIUX-1LPHCL



WIUX-2W



WIUX-1GY



WIUX-2CL

Description

1-Gang & 2-Gang

Design features

- Meets NEC® 2017 & 2020 406.9 (B)(1) Extra Duty requirement for any application
- Rugged UV-resistant polycarbonate cover and back protects devices without cracking or breaking and is non-corrosive
- No disassembly required for vertical or horizontal mounting orientation
- 1-Gang box includes 3 inserts for 16 different configurations
- 2-Gang box includes 5 inserts for over 55 different configurations
- Box inserts accommodate decorator and GCFI devices, duplex receptacles, toggle switches and round receptacles
- Cover cord opening fits #12 AWG or lighter cord
- Vertical and horizontal mount wasp guards keep out unwanted pests
- Exceeds UL outdoor low voltage landscape lighting requirements
- Box cover includes pre-mounted gasket

Table 1. Extra duty while-in-use weather protective covers

Catalog No.	Gang	Depth	Mounting Description	Material	Color
<input type="checkbox"/> WIUX-1LPHGY	1	Low Profile	Horizontal	Polycarbonate	Gray
<input type="checkbox"/> WIUX-1LPHCL	1	Low Profile	Horizontal	Polycarbonate	Clear
<input type="checkbox"/> WIUX-1LPHW	1	Low Profile	Horizontal	Polycarbonate	White
<input type="checkbox"/> WIUX-1LPVGY	1	Low Profile	Vertical	Polycarbonate	Gray
<input type="checkbox"/> WIUX-1LPVCL	1	Low Profile	Vertical	Polycarbonate	Clear
<input type="checkbox"/> WIUX-1LPVW	1	Low Profile	Vertical	Polycarbonate	White
<input type="checkbox"/> WIUX-1GY	1	Standard	Vertical/Horizontal	Polycarbonate	Gray
<input type="checkbox"/> WIUX-1CL	1	Standard	Vertical/Horizontal	Polycarbonate	Clear
<input type="checkbox"/> WIUX-1W	1	Standard	Vertical/Horizontal	Polycarbonate	White
<input type="checkbox"/> WIUXM-1GY	1	Standard	Vertical/Horizontal	Die cast aluminum	Gray
<input type="checkbox"/> WIUXM-1W	1	Standard	Vertical/Horizontal	Die cast aluminum	White
<input type="checkbox"/> WIUX-2GY	2	Standard	Vertical	Polycarbonate	Gray
<input type="checkbox"/> WIUX-2CL	2	Standard	Vertical	Polycarbonate	Clear
<input type="checkbox"/> WIUX-2W	2	Standard	Vertical	Polycarbonate	White
<input type="checkbox"/> WIUXM-2GY	2	Standard	Vertical	Die cast aluminum	Gray
<input type="checkbox"/> WIUXM-2W	2	Standard	Vertical	Die cast aluminum	White

cCSAus Certified to UL514D, file no. 174008, meets NEMA 3R requirements

Compliances, specifications and availability are subject to change without notice.



Powering Business Worldwide

Project Name:	Prepared By:
Project Number:	Date:
Catalog Number:	Type:

Applications

The 2017 & 2020 NEC® requires that all receptacle covers installed in wet locations be both extra-duty and weatherproof whether or not the plug is inserted. The extra-duty requirement helps ensure the covers will not be easily broken under heavy abuse. Eaton's Wiring Devices extra duty while-in-use weather protective covers are compliant with the 2017 & 2020 NEC® for any application. This line of covers exceeds UL outdoor low voltage landscape lighting requirements, is UV-resistant and includes inserts to accommodate a variety of devices inside the box.

Table 2. Specifications

Catalog No.	Extra Duty While-In-Use Weather Protective Cover Series
Testing & Code Compliance	CSA US Listed to UL514D, file no. 174008 meets NEMA 3R requirements
Environmental Specifications	Flammability: Meets UL94 requirements; V2 rated Temperature Rating: 20°C to 70°C (-4°F to 158°F)

Table 3. Materials

Catalog No.	Extra Duty While-In-Use Weather Protective Cover Polycarbonate Series	Extra Duty While-in-Use Weather Protective Cover Die-cast Aluminum Series
Cover	Polycarbonate	Aluminum Alloy
Back body	Polycarbonate	Aluminum Alloy
Cover plates	Polycarbonate	Polycarbonate
Gasket	Polyethylene foam	Polyethylene Foam

Table 4. Color Ordering Information

CL	GY	W
Clear	Gray	White

Product Dimensions

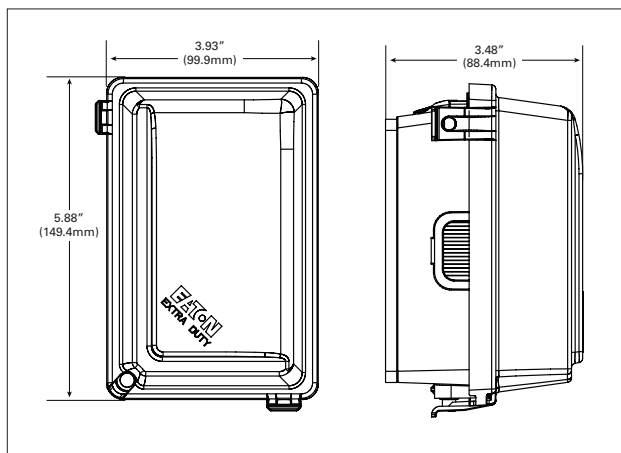


Figure 1. WIUX-1 Plastic 1-Gang

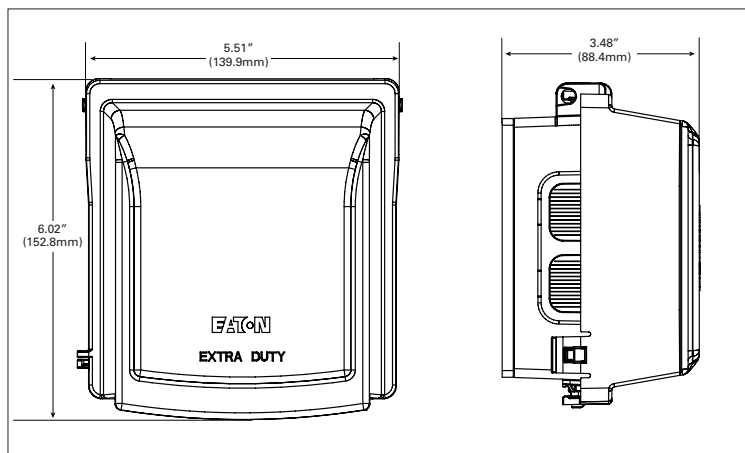


Figure 2. WIUX-2 Plastic 2-Gang

Project Name:	Prepared By:
Project Number:	Date:
Catalog Number:	Type:

Product Dimensions

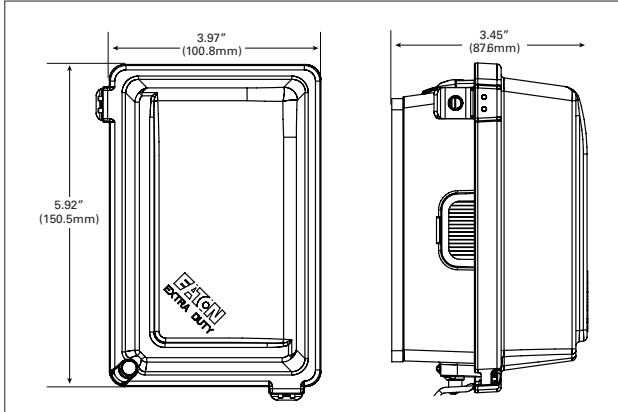


Figure 3. WIUXM-1 Metal 1-Gang

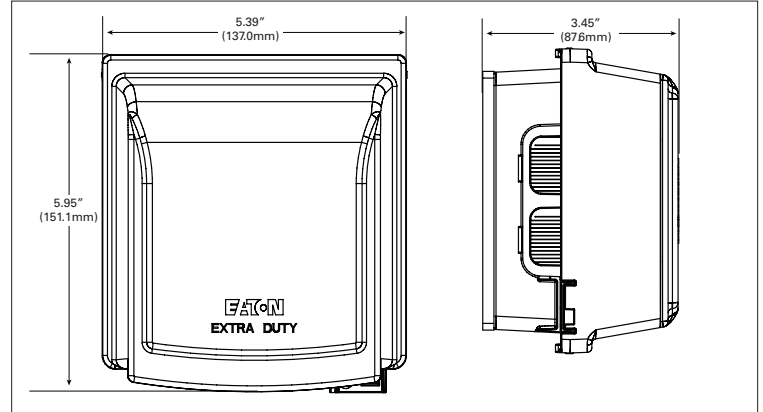


Figure 4. WIUXM-2 Metal 2-Gang

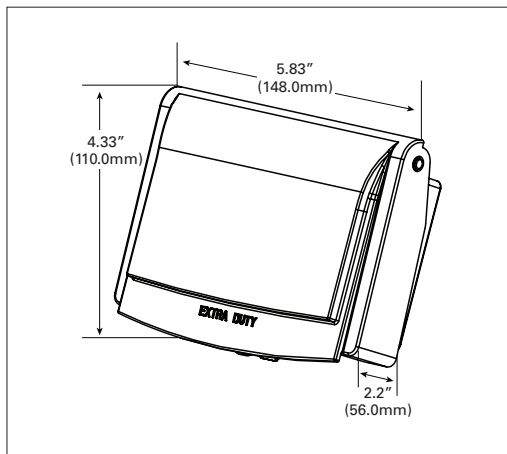


Figure 5. WIUX-1LPH Low Profile Horizontal

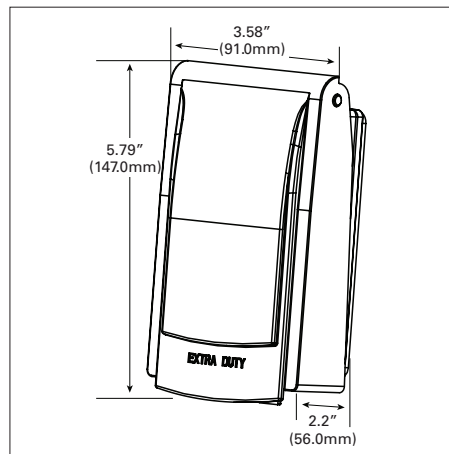






Figure 6. WIUX-1LPV Low Profile Vertical


Certifications & Compliances

Catalog No.	
WIUX-1LPHGY	•
WIUX-1LPHCL	•
WIUX-1LPHW	•
WIUX-1LPVGY	•

Catalog No.	
WIUX-1LPVCL	•
WIUX-1LPVW	•
WIUX-1GY	•
WIUX-1CL	•

Catalog No.	
WIUX-1W	•
WIUXM-1GY	•
WIUXM-1W	•
WIUX-2GY	•

Catalog No.	
WIUX-2CL	•
WIUX-2W	•
WIUXM-2GY	•
WIUXM-2W	•

KEY: 

Compliances, specifications and availability are subject to change without notice.

Electrical Sector
1123 Hwy 74 S
Peachtree City, GA 30269
United States
Eaton.com
Eaton.com/wiringdevices

Electrical Sector
Canada Operations
5925 McLaughlin Road
Mississauga, Ontario, L5R 1B8
Canada
EatonCanada.ca
Eaton.com/wiringdevices

Electrical Sector
Mexico Operations
Carr. Tlalnepantla -
Cauatitlán Km 17.8 s/n
Col. Villa Jardín esq.
Cerrada 8 de Mayo
Cauatitlán, México CP 54800
México
Eaton.mx
Eaton.com/wiringdevices