

## FEATURES

- Low  $V_{CE(sat)}$  Device
- 10 $\mu$ s Short Circuit Withstand
- High Thermal Cycling Capability
- High Current Density Enhanced DMOS SPT
- Isolated AISiC Base with AlN Substrates
- Lead Free Construction

## APPLICATIONS

- High Reliability Inverters
- Motor Controllers
- Traction Auxiliaries
- Choppers

The Powerline range of high power modules includes half bridge, chopper, dual, single and bi-directional switch configurations covering voltages from 1200V to 6500V and currents up to 2400A.

The DIM125PHM33-TL000 is a Low  $V_{CE(sat)}$  half bridge 3300V, soft punch through n-channel enhancement mode, insulated gate bipolar transistor (IGBT) module. The IGBT has a wide reverse bias safe operating area (RBSOA). This device is optimised for traction drives and other applications requiring high thermal cycling capability.

The module incorporates an electrically isolated base plate and low inductance construction enabling circuit designers to optimise circuit layouts and utilise grounded heat sinks for safety.

## ORDERING INFORMATION

Order As:

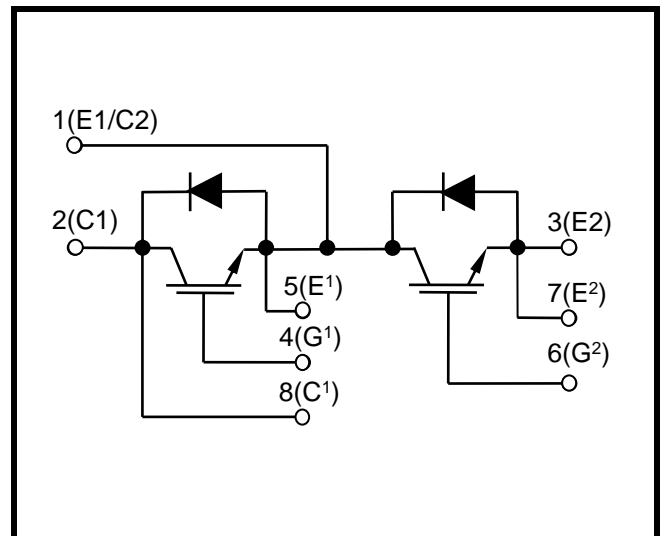
### DIM125PHM33-TL000

Note: When ordering, please use the complete part number

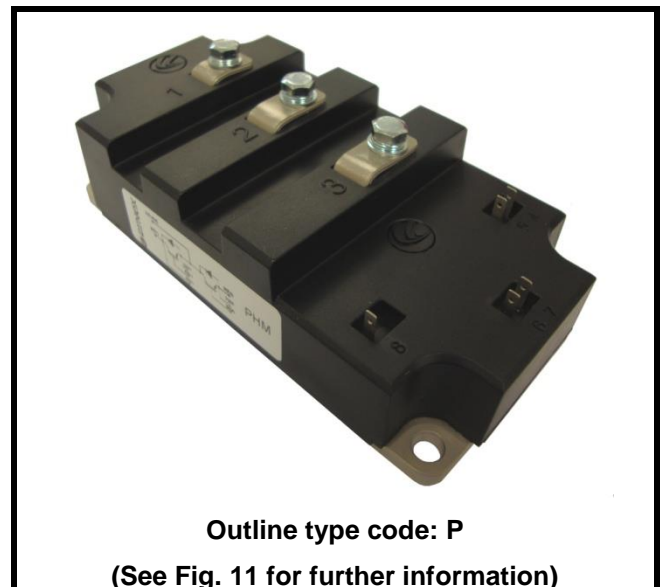
## KEY PARAMETERS

$V_{CES}$	<b>3300V</b>
$V_{CE(sat)}$ * (typ)	<b>2.0V</b>
$I_C$ (max)	<b>125A</b>
$I_{C(PK)}$ (max)	<b>250A</b>

\* Measured at the auxiliary terminals



**Fig. 1 Circuit configuration**



**Outline type code: P**  
**(See Fig. 11 for further information)**

**Fig. 2 Package**

**ABSOLUTE MAXIMUM RATINGS**

Stresses above those listed under ‘Absolute Maximum Ratings’ may cause permanent damage to the device. In extreme conditions, as with all semiconductors, this may include potentially hazardous rupture of the package. Appropriate safety precautions should always be followed. Exposure to Absolute Maximum Ratings may affect device reliability.

**T<sub>case</sub> = 25°C unless stated otherwise**

Symbol	Parameter	Test Conditions	Max.	Units
V <sub>CES</sub>	Collector-emitter voltage	V <sub>GE</sub> = 0V	3300	V
V <sub>GES</sub>	Gate-emitter voltage		±20	V
I <sub>C</sub>	Continuous collector current	T <sub>case</sub> = 115°C	125	A
I <sub>C(PK)</sub>	Peak collector current	1ms, T <sub>case</sub> = 140°C	250	A
P <sub>max</sub>	Max. transistor power dissipation	T <sub>case</sub> = 25°C, T <sub>j</sub> = 150°C	1.3	kW
I <sup>2</sup> t	Diode I <sup>2</sup> t value	V <sub>R</sub> = 0, t <sub>p</sub> = 10ms, T <sub>j</sub> = 125°C	5	kA <sup>2</sup> s
V <sub>isol</sub>	Isolation voltage – per module	Commoned terminals to base plate. AC RMS, 1 min, 50Hz	6000	V
Q <sub>PD</sub>	Partial discharge – per module	IEC1287, V <sub>1</sub> = 3500V, V <sub>2</sub> = 2600V, 50Hz RMS	10	pC

**THERMAL AND MECHANICAL RATINGS**

Internal insulation material:	AlN
Baseplate material:	AlSiC
Creepage distance:	33mm
Clearance:	20mm
CTI (Comparative Tracking Index):	>600

Symbol	Parameter	Test Conditions	Min	Typ.	Max	Units
R <sub>th(j-c)</sub>	Thermal resistance – transistor	Continuous dissipation - junction to case	-	-	96	°C/kW
R <sub>th(j-c)</sub>	Thermal resistance – Diode	Continuous dissipation - junction to case	-	-	192	°C/kW
R <sub>th(c-h)</sub>	Thermal resistance – case to heatsink (per module)	Mounting torque 5Nm (with mounting grease)	-	-	16	°C/kW
T <sub>j</sub>	Junction temperature	Transistor	-	-	150	°C
		Diode	-	-	150	°C
T <sub>stg</sub>	Storage temperature range	-	-40	-	125	°C
	Screw torque	Mounting – M6	-	-	5	Nm
		Electrical connections – M5	-	-	4	Nm

**ELECTRICAL CHARACTERISTICS**

$T_{case} = 25^{\circ}C$  unless stated otherwise.

Symbol	Parameter	Test Conditions	Min	Typ	Max	Units
I <sub>CES</sub>	Collector cut-off current	V <sub>GE</sub> = 0V, V <sub>CE</sub> = V <sub>CES</sub>			1	mA
		V <sub>GE</sub> = 0V, V <sub>CE</sub> = V <sub>CES</sub> , T <sub>case</sub> = 125°C			7.5	mA
		V <sub>GE</sub> = 0V, V <sub>CE</sub> = V <sub>CES</sub> , T <sub>case</sub> = 150°C			12.5	mA
I <sub>GES</sub>	Gate leakage current	V <sub>GE</sub> = ± 20V, V <sub>CE</sub> = 0V			1	µA
V <sub>GE(TH)</sub>	Gate threshold voltage	I <sub>C</sub> = 10mA, V <sub>GE</sub> = V <sub>CE</sub>		5.7		V
V <sub>CE(sat)</sub>	Collector-emitter saturation voltage	V <sub>GE</sub> = 15V, I <sub>C</sub> = 125A		2.0		V
		V <sub>GE</sub> = 15V, I <sub>C</sub> = 125A, T <sub>j</sub> = 125°C		2.6		V
		V <sub>GE</sub> = 15V, I <sub>C</sub> = 125A, T <sub>j</sub> = 150°C		2.8		V
I <sub>F</sub>	Diode forward current	DC		125		A
I <sub>FM</sub>	Diode maximum forward current	t <sub>p</sub> = 1ms		250		A
V <sub>F</sub>	Diode forward voltage	I <sub>F</sub> = 125A		2.4		V
		I <sub>F</sub> = 125A, T <sub>j</sub> = 125°C		2.5		V
		I <sub>F</sub> = 125A, T <sub>j</sub> = 150°C		2.4		V
C <sub>ies</sub>	Input capacitance	V <sub>CE</sub> = 25V, V <sub>GE</sub> = 0V, f = 1MHz		22.5		nF
Q <sub>g</sub>	Gate charge	±15V Including external C <sub>ge</sub>		2.5		µC
C <sub>res</sub>	Reverse transfer capacitance	V <sub>CE</sub> = 25V, V <sub>GE</sub> = 0V, f = 1MHz		0.5		nF
L <sub>M</sub>	Module inductance			40		nH
R <sub>INT</sub>	Internal transistor resistance			500		µΩ
SC <sub>Data</sub>	Short circuit current, I <sub>SC</sub>	T <sub>j</sub> = 150°C, V <sub>CC</sub> = 2500V t <sub>p</sub> ≤ 10µs, V <sub>GE</sub> ≤ 15V V <sub>CE(max)</sub> = V <sub>CES</sub> - L* x di/dt IEC 60747-9		480		A

**Note:**

\* L is the circuit inductance + L<sub>M</sub>

**ELECTRICAL CHARACTERISTICS**

**T<sub>case</sub> = 25°C unless stated otherwise**

Symbol	Parameter	Test Conditions	Min	Typ.	Max	Units	
t <sub>d(off)</sub>	Turn-off delay time	I <sub>C</sub> = 125A V <sub>GE</sub> = ±15V V <sub>CE</sub> = 1800V R <sub>g(ON)</sub> = 20Ω R <sub>g(OFF)</sub> = 20Ω C <sub>GE</sub> = 27nF L <sub>S</sub> ~ 150nH		2700		ns	
t <sub>f</sub>	Fall time			610		ns	
E <sub>OFF</sub>	Turn-off energy loss				313		mJ
t <sub>d(on)</sub>	Turn-on delay time				960		ns
t <sub>r</sub>	Rise time				430		ns
E <sub>ON</sub>	Turn-on energy loss				200		mJ
Q <sub>rr</sub>	Diode reverse recovery charge	I <sub>F</sub> = 125A V <sub>CE</sub> = 1800V dI <sub>F</sub> /dt = 350A/μs		70		μC	
I <sub>rr</sub>	Diode reverse recovery current			75		A	
E <sub>rec</sub>	Diode reverse recovery energy			85		mJ	

**T<sub>case</sub> = 125°C unless stated otherwise**

Symbol	Parameter	Test Conditions	Min	Typ.	Max	Units	
t <sub>d(off)</sub>	Turn-off delay time	I <sub>C</sub> = 125A V <sub>GE</sub> = ±15V V <sub>CE</sub> = 1800V R <sub>g(ON)</sub> = 20Ω R <sub>g(OFF)</sub> = 20Ω C <sub>GE</sub> = 27nF L <sub>S</sub> ~ 150nH		2750		ns	
t <sub>f</sub>	Fall time			590		ns	
E <sub>OFF</sub>	Turn-off energy loss				340		mJ
t <sub>d(on)</sub>	Turn-on delay time				1000		ns
t <sub>r</sub>	Rise time				460		ns
E <sub>ON</sub>	Turn-on energy loss				260		mJ
Q <sub>rr</sub>	Diode reverse recovery charge	I <sub>F</sub> = 125A V <sub>CE</sub> = 1800V dI <sub>F</sub> /dt = 350A/μs		115		μC	
I <sub>rr</sub>	Diode reverse recovery current			97		A	
E <sub>rec</sub>	Diode reverse recovery energy			140		mJ	

**T<sub>case</sub> = 150°C unless stated otherwise**

Symbol	Parameter	Test Conditions	Min	Typ.	Max	Units	
t <sub>d(off)</sub>	Turn-off delay time	I <sub>C</sub> = 125A V <sub>GE</sub> = ±15V V <sub>CE</sub> = 1800V R <sub>g(ON)</sub> = 20Ω R <sub>g(OFF)</sub> = 20Ω C <sub>GE</sub> = 27nF L <sub>S</sub> ~ 150nH		2760		ns	
t <sub>f</sub>	Fall time			590		ns	
E <sub>OFF</sub>	Turn-off energy loss				366		mJ
t <sub>d(on)</sub>	Turn-on delay time				1040		ns
t <sub>r</sub>	Rise time				460		ns
E <sub>ON</sub>	Turn-on energy loss				283		mJ
Q <sub>rr</sub>	Diode reverse recovery charge	I <sub>F</sub> = 125A V <sub>CE</sub> = 1800V dI <sub>F</sub> /dt = 350A/μs		135		μC	
I <sub>rr</sub>	Diode reverse recovery current			100		A	
E <sub>rec</sub>	Diode reverse recovery energy			165		mJ	

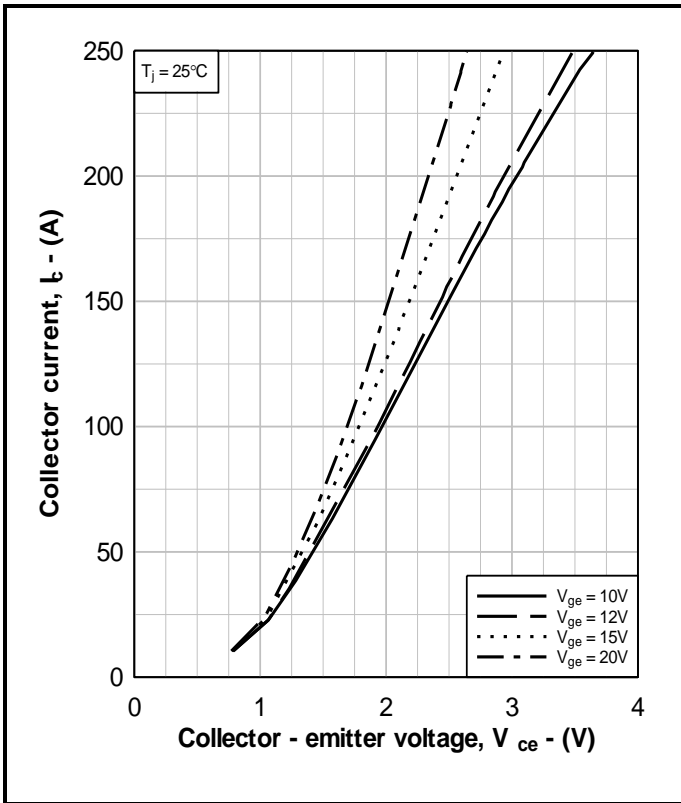


Fig. 3 Typical output characteristics

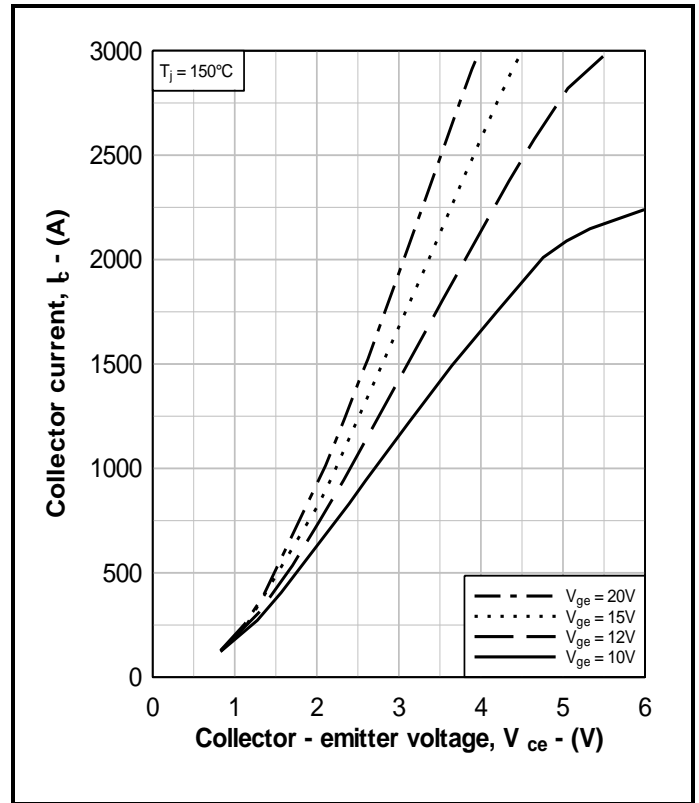


Fig. 4 Typical output characteristics

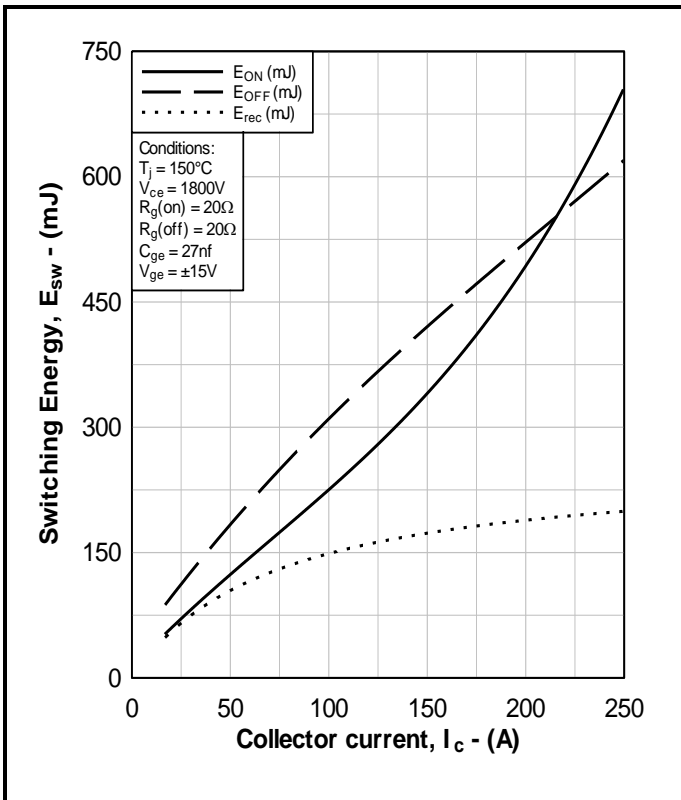


Fig. 5 Typical switching energy vs collector current

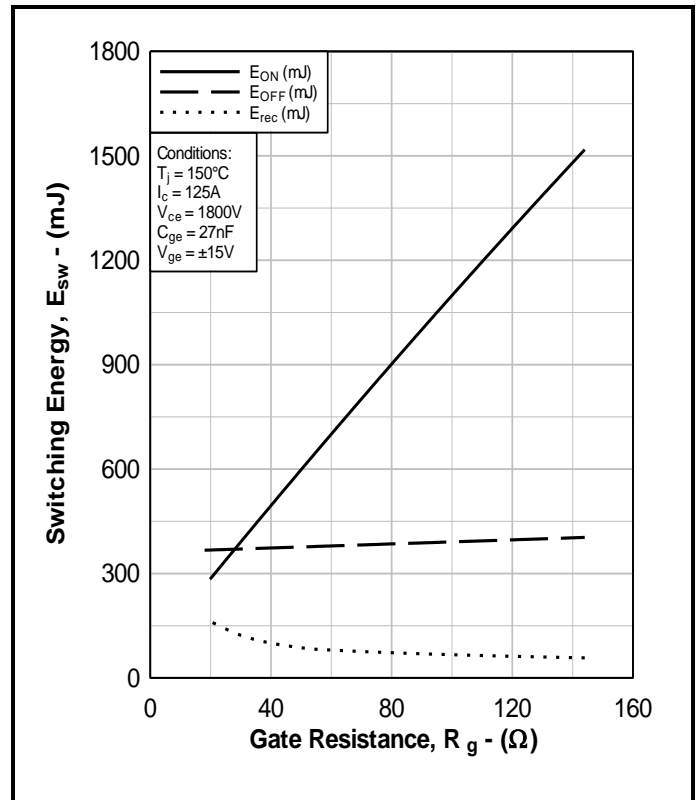


Fig. 6 Typical switching energy vs gate resistance

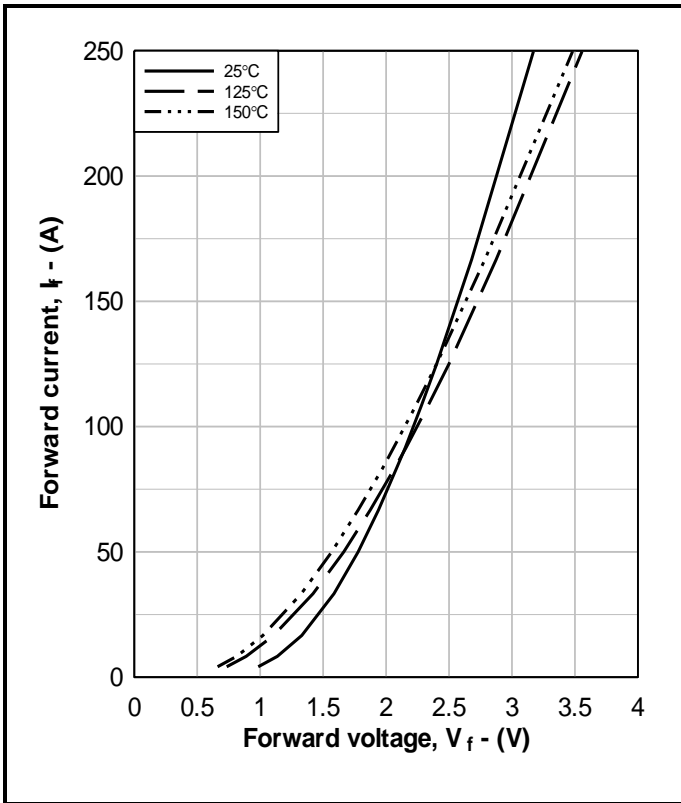


Fig. 7 Diode typical forward characteristics

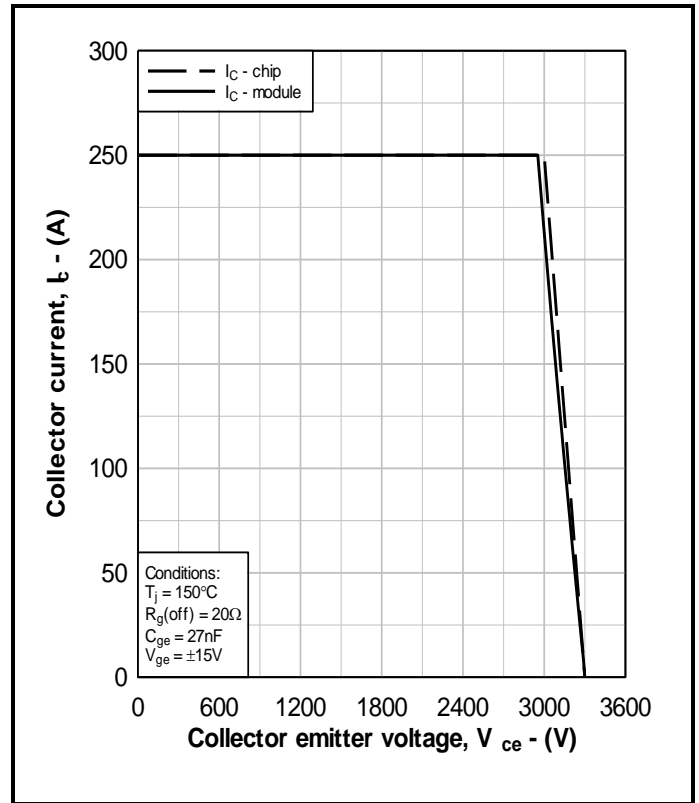


Fig. 8 Reverse bias safe operating area

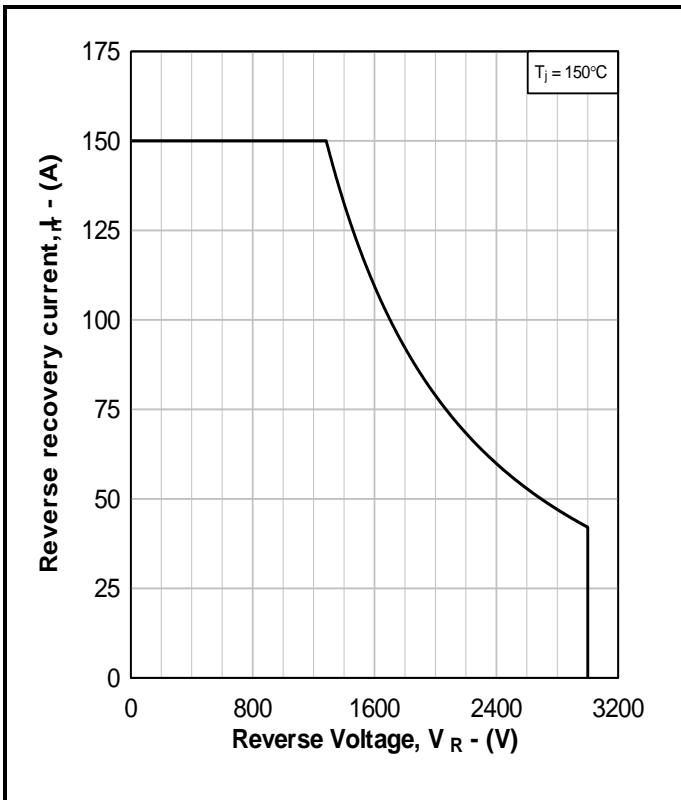


Fig. 9 Diode reverse bias safe operating area

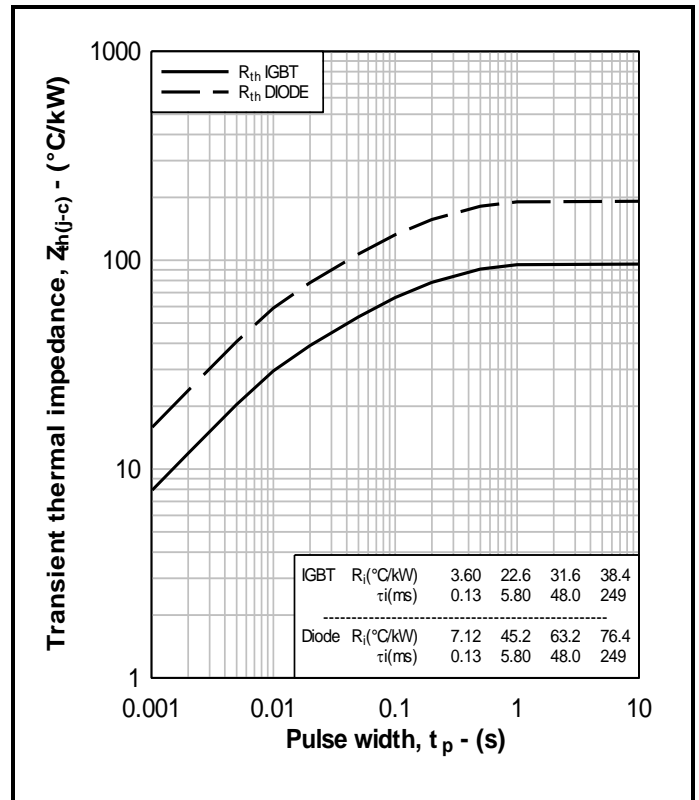
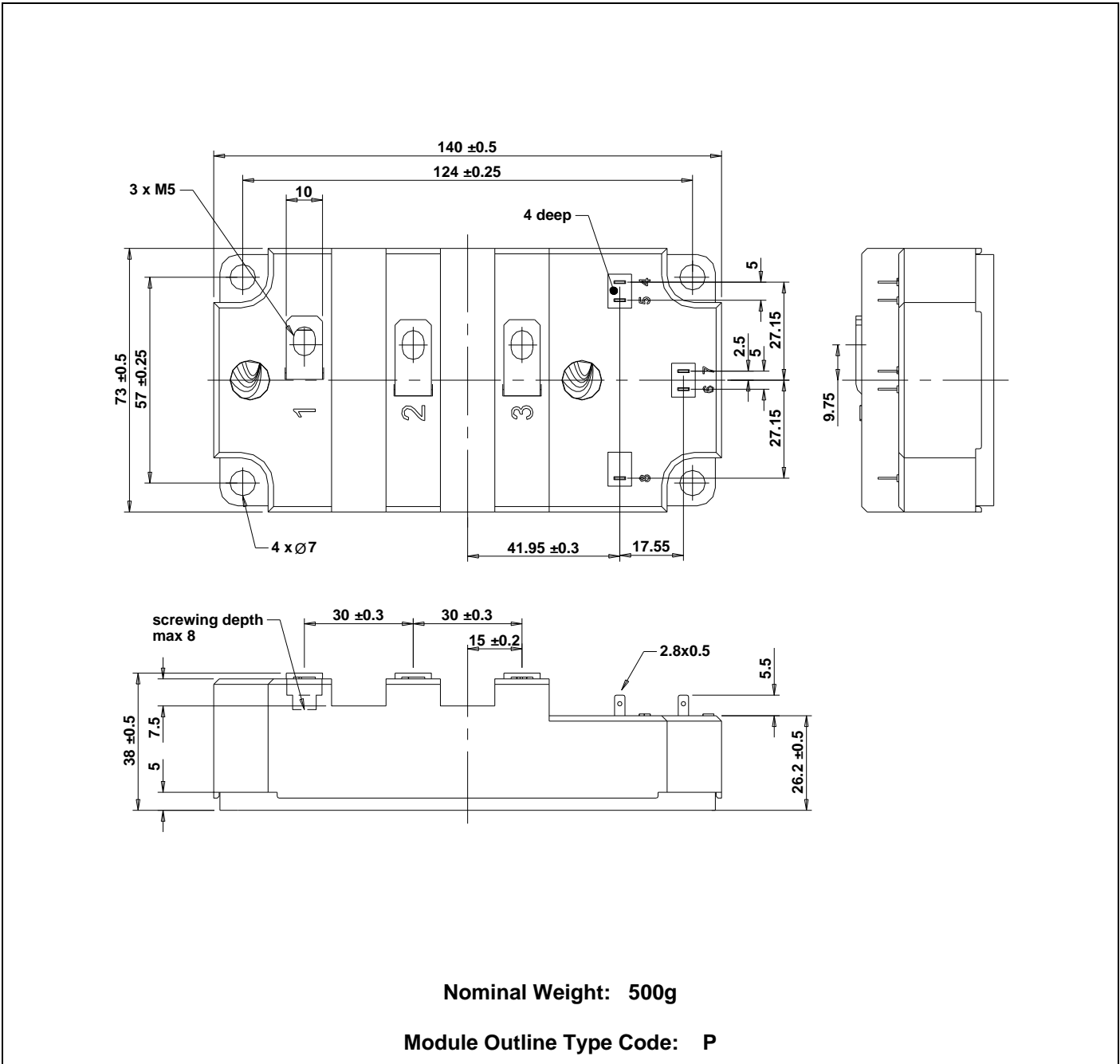


Fig. 10 Transient thermal impedance

**PACKAGE DETAILS**

For further package information, please visit our website or contact Customer Services.  
 All dimensions in mm, unless stated otherwise.  
**DO NOT SCALE.**



**Fig. 11 Module outline drawing**

**IMPORTANT INFORMATION:**

This publication is provided for information only and not for resale.

The products and information in this publication are intended for use by appropriately trained technical personnel.

Due to the diversity of product applications, the information contained herein is provided as a general guide only and does not constitute any guarantee of suitability for use in a specific application. The user must evaluate the suitability of the product and the completeness of the product data for the application. The user is responsible for product selection and ensuring all safety and any warning requirements are met. Should additional product information be needed please contact Customer Service.

Although we have endeavoured to carefully compile the information in this publication it may contain inaccuracies or typographical errors. The information is provided without any warranty or guarantee of any kind.

This publication is an uncontrolled document and is subject to change without notice. When referring to it please ensure that it is the most up to date version and has not been superseded.

The products are not intended for use in applications where a failure or malfunction may cause loss of life, injury or damage to property. The user must ensure that appropriate safety precautions are taken to prevent or mitigate the consequences of a product failure or malfunction.

The products must not be touched when operating because there is a danger of electrocution or severe burning. Always use protective safety equipment such as appropriate shields for the product and wear safety glasses. Even when disconnected any electric charge remaining in the product must be discharged and allowed to cool before safe handling using protective gloves.

Extended exposure to conditions outside the product ratings may affect reliability leading to premature product failure. Use outside the product ratings is likely to cause permanent damage to the product. In extreme conditions, as with all semiconductors, this may include potentially hazardous rupture, a large current to flow or high voltage arcing, resulting in fire or explosion. Appropriate application design and safety precautions should always be followed to protect persons and property.

**Product Status & Product Ordering:**

We annotate datasheets in the top right hand corner of the front page, to indicate product status if it is not yet fully approved for production. The annotations are as follows:-

- Target Information:** This is the most tentative form of information and represents a very preliminary specification. No actual design work on the product has been started.
- Preliminary Information:** The product design is complete and final characterisation for volume production is in progress. The datasheet represents the product as it is now understood but details may change.
- No Annotation:** The product has been approved for production and unless otherwise notified by Dynex any product ordered will be supplied to the **current version of the data sheet prevailing at the time of our order acknowledgement.**

All products and materials are sold and services provided subject to Dynex's conditions of sale, which are available on request.

Any brand names and product names used in this publication are trademarks, registered trademarks or trade names of their respective owners.

**HEADQUARTERS OPERATIONS**

**DYNEX SEMICONDUCTOR LTD**  
Doddington Road, Lincoln, Lincolnshire, LN6 3LF,  
United Kingdom  
Fax: +44(0)1522 500550  
Tel: +44(0)1522 500500  
Web: <http://www.dynexsemi.com>

**CUSTOMER SERVICE**

**DYNEX SEMICONDUCTOR LTD**  
Doddington Road, Lincoln, Lincolnshire, LN6 3LF,  
United Kingdom  
Tel: +44(0)1522 502753 / 502901  
Email: [powersolutions@dynexsemi.com](mailto:powersolutions@dynexsemi.com)